

609pp Pocket Tissue Pouch



Suggested yarn:

- Pierrot Yarns Marshmallow Cotton [100% cotton; 153 yds/140m per 1.1 oz./30g skein];
 - color #02 navy, 1 skein [10g]
 - color #08 white, 1 skein [10g]
 - color #12 baby mint, 1 skein [5g]
 - color #13 happy pink, 1 skein [5g]

Tools/Notions:

- 2.3mm (approx. US B) crochet hook or size necessary to achieve gauge
- 1 zipper (12cm/4.7")

Finished measurements:

- height 10.5cm/4.1"
- width 13cm/5.1"

Gauge (10cm/4" square):

- pattern stitch: 34 sts and 14 rows

Gauge may vary according to individual crochet style. Change hook size if necessary to achieve gauge. Alternatively, rework pattern with your own gauge measurements.

Summary

❖**Note:** Like all Japanese patterns, stitch counts given here for foundation chains do not include any chain sts needed for turning posts.

Body, upper flap & lower flap: Work foundation chain to begin, then work in pattern stitch.

Finishing: Referring to finishing schematics, seam upper and lower flaps to body piece using whipstitch and sc seam. Sew zipper to mouth of pouch. Make pompom tassel and attach to zipper pull.

Abbreviations:

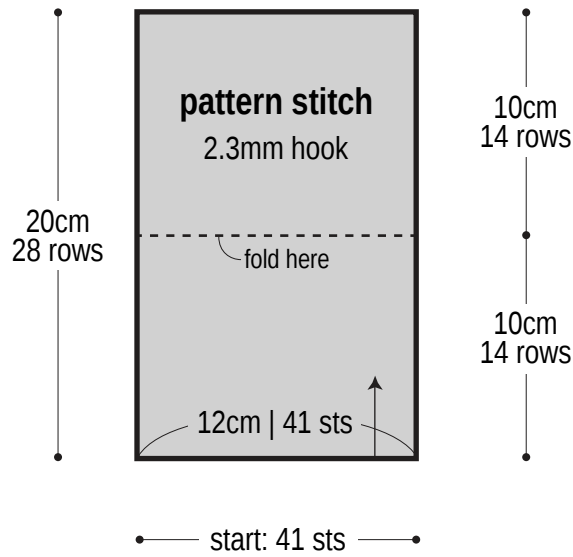
ch = chain

RS = right side

sc = single crochet (US)

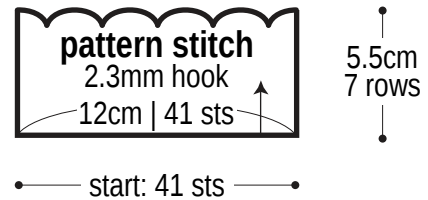
Body piece

※Refer to chart for color sequences.

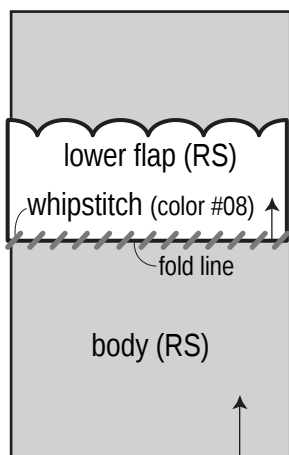


Upper & lower flaps (make 2)

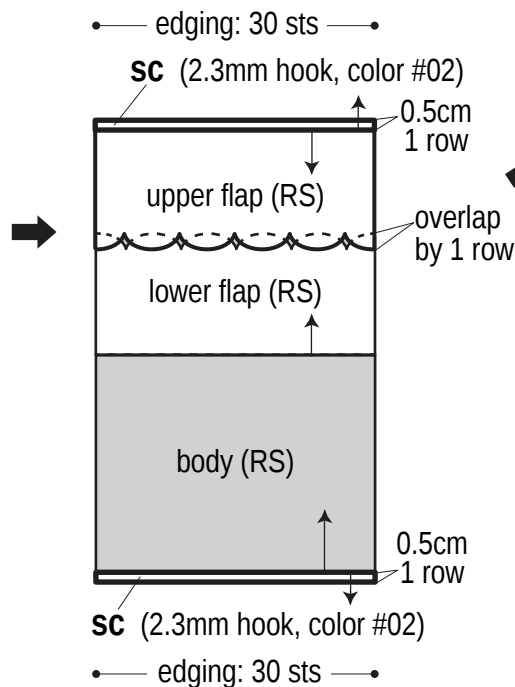
※Refer to chart for color sequences.



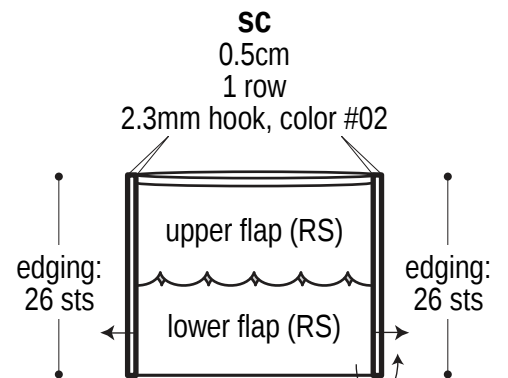
Finishing



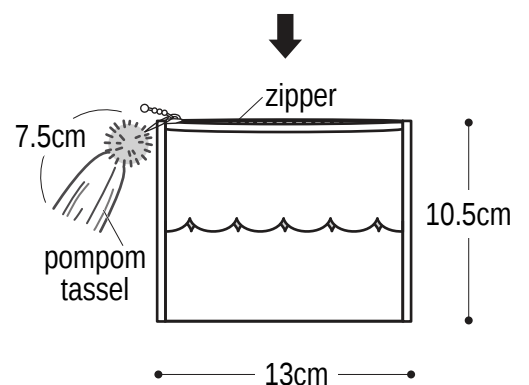
Place lower flap so that foundation chain is at fold line of body piece. Whipstitch with color #08.



Place upper flap on body so that it overlaps the scalloped edge of lower flap by 1 row. Seam foundation edge to body with 1 row of sc. Work 1 row of sc along foundation edge of body piece as well.



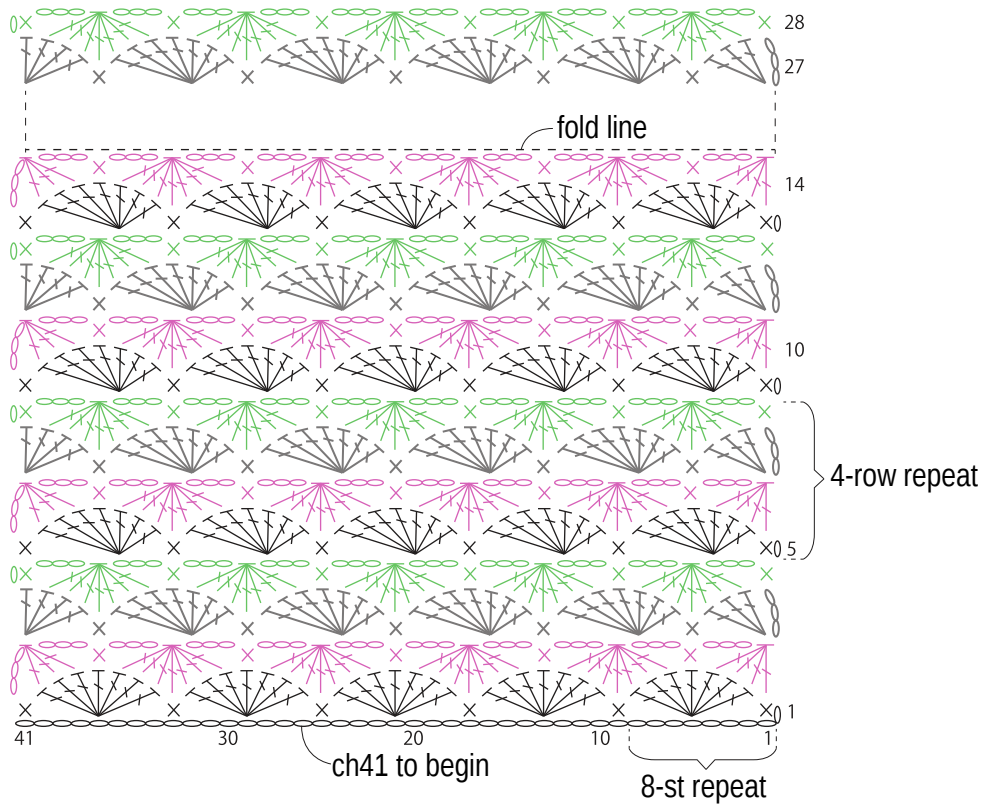
Turn body right-side out, then seam each side (body & flaps) with 1 row of sc.



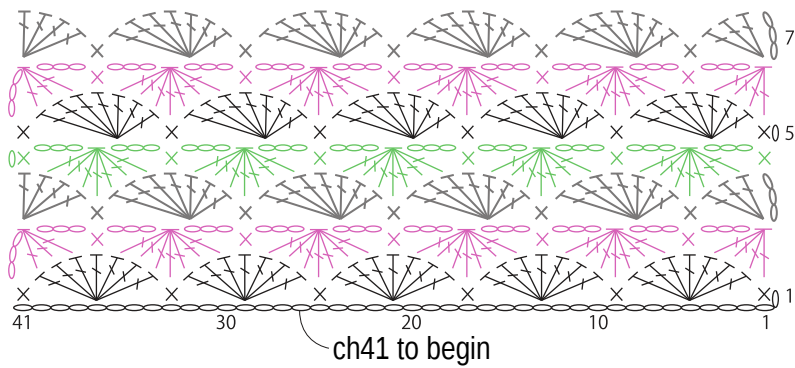
Sew zipper to mouth of pouch. Make pom-pom tassel and attach to zipper pull.

— = color no. 02 — = color no. 08
 — = color no. 13 — = color no. 12

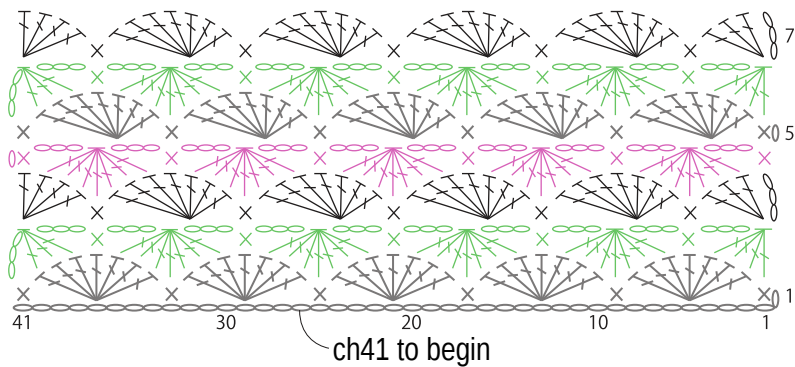
Body *Cut yarn for every color change.



Upper flap *Cut yarn for every color change.



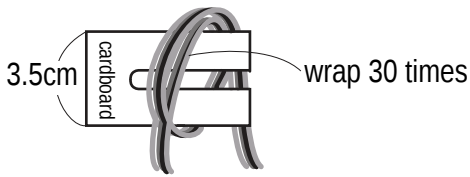
Lower flap *Cut yarn for every color change.



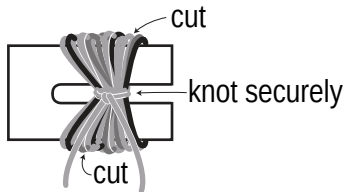
Pompom instructions

※Use 4 strands of yarn (1 strand of each color).

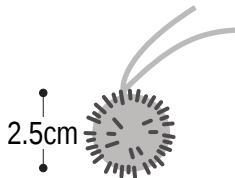
- ① Wrap yarn around a piece of cardboard.



- ② Tie a knot at the center and then cut each side as shown.



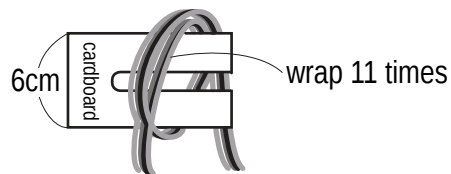
- ③ Trim ends of yarn to shape the pompom into a nice ball.



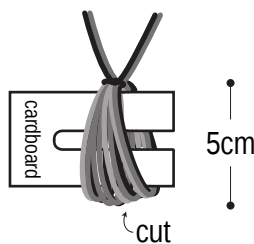
Tassel instructions

※Use 4 strands of yarn (1 strand of each color).

- ① Wrap yarn around a piece of cardboard.



- ② Loop 2 strands of yarn (color of your choice) through the loops just wrapped around the cardboard. Tie a knot at the edge as shown.



- ③ Cut the loop and trim as desired.

Pompom tassel

