

219AW-16 Fun Fur Totebag



Suggested yarn:

- Pierrot Yarns Soft Merino Bulky [100% merino wool; 44 yds/40m per 1.4 oz./40g skein]; color #4 dark gray, 8 skeins [310g]
- Pierrot Yarns Marble Cat [100% polyester; 62 yds/57m per 3.5 oz./100g skein]; color #03 gray, 1 skein [75g]

Tools/Notions:

- 4.0mm (US G) crochet hook or size necessary to achieve gauge
- 8.0mm (US 11) knitting needles or size necessary to achieve gauge
- 1 pair purse handles (48cm/18.9")

Finished measurements:

- mouth of bag (circumference) 71cm/28.0"
- depth 27cm/10.6"
- bottom width 8.5cm/3.3"

Gauge (10cm/4" square):

- pattern stitch: 18 sts and 11 rounds
- single crochet (US): 16 sts and 16 rounds
- stockinette stitch: 9 sts and 10 rows

Gauge may vary according to individual crochet style. Change hook size if necessary to achieve gauge. Alternatively, rework pattern with your own gauge measurements.

Summary

✳️**Note:** Like all Japanese patterns, stitch counts given here for foundation chains do not include any chain sts needed for turning posts.

Bottom: Work foundation chain to begin, then work in sc. After bottom piece is finished, work sc in the round as shown in chart.

Sides: Continuing from the bottom, work pattern st in the round.

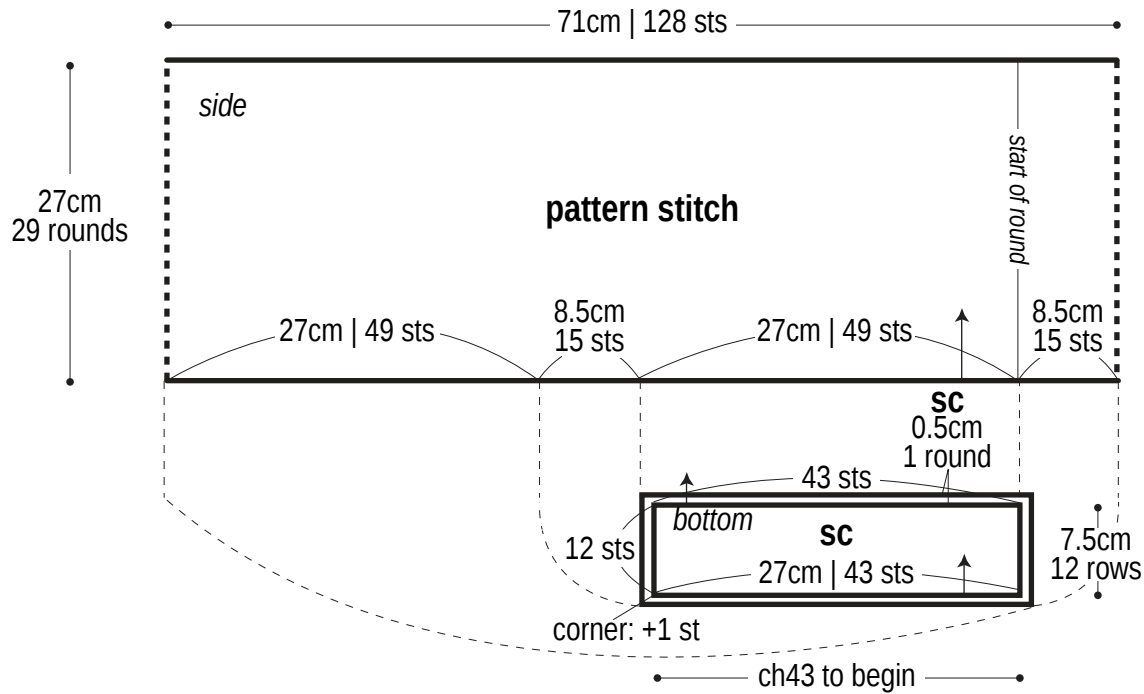
Fur trim: With knitting needles, cast on with long-tail cast-on method. Work in st st. Bind off. With wrong sides facing each other, seam the two short ends together using whipstitch, creating a loop.

Finishing: Sew handles to sides of bag where indicated in finishing schematic using sewing thread. Place fur trim loop around mouth of bag and seam it along bottom and top edges using whipstitch.

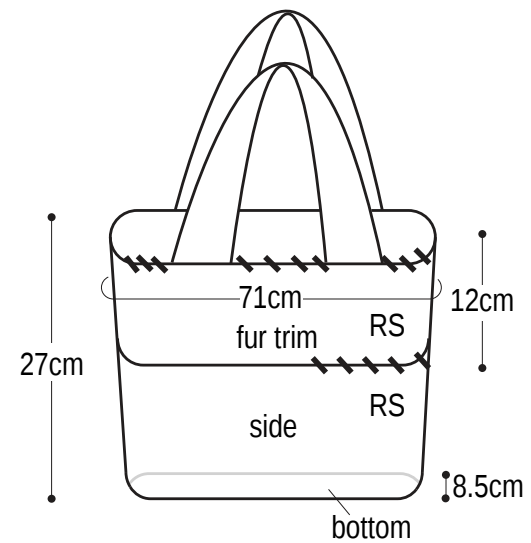
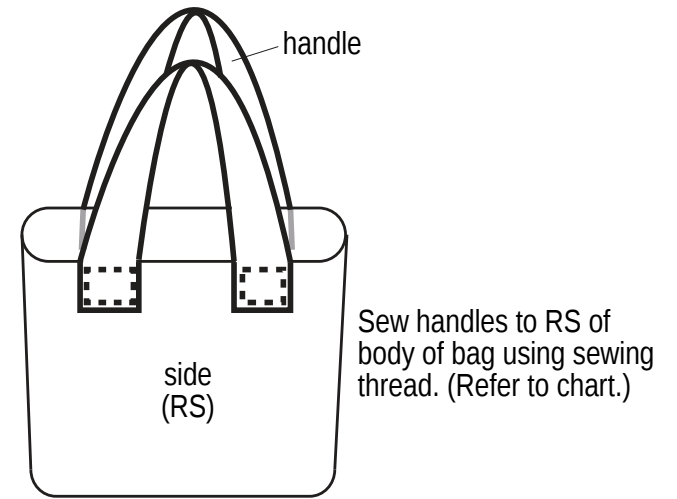
Abbreviations:

ch = chain sc = single crochet (US) st st = stockinette stitch

Body of bag 4.0mm hook, Soft Merino Bulky

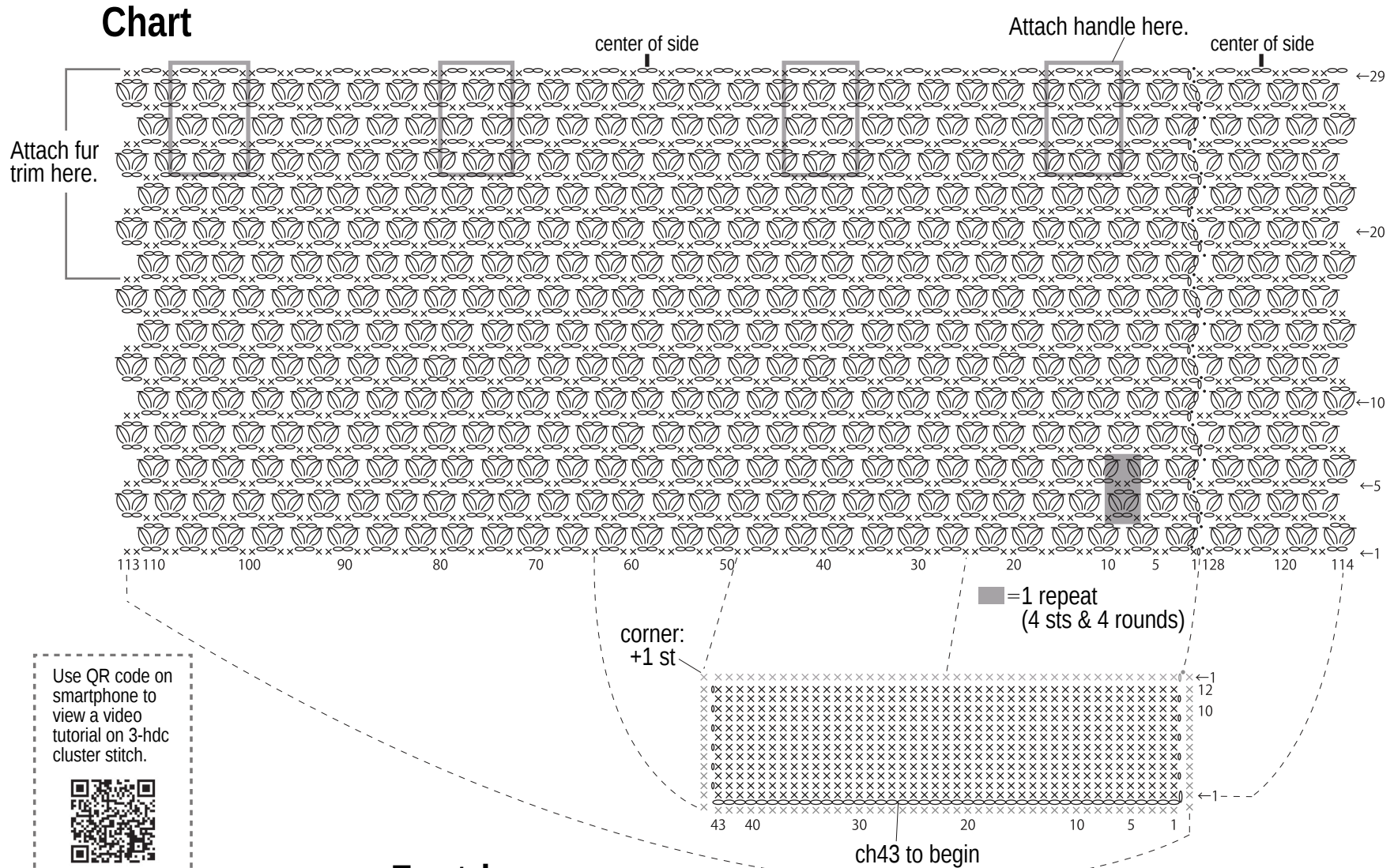


Finishing



Seam top & bottom of fur trim to side of bag using whipstitch with Marble Cat.

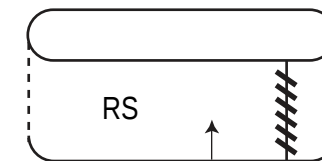
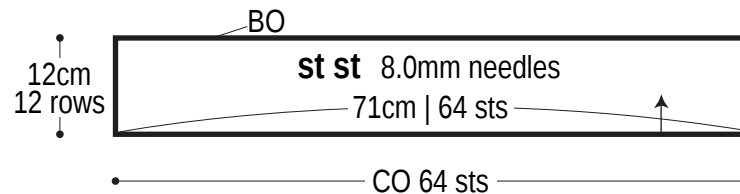
Chart



Use QR code on smartphone to view a video tutorial on 3-hdc cluster stitch.



⊗ = 3-hdc cluster stitch



Whipstitch short ends together with Marble Cat.