

219W-12 Giraffe Hat & Cowl



Suggested yarn:

- Pierrot Yarns Soft Merino [100% merino wool; 104 yds/95m per 1.4 oz./40g skein];
 - hat:
 - color #17 loam brown, 1 skeins [40g]
 - color #20 honey yellow, 2 skeins [65g]
 - cowl:
 - color #17 loam brown, 1 skein [40g]
 - color #20 honey yellow, 1 skein [40g]

Tools/Notions:

- 3.5mm (US E) crochet hook or size necessary to achieve gauge

Finished measurements:

- hat:
 - head circumference: 50cm/19.7"
 - depth: 19cm/7.5"
- cowl:
 - circumference 50cm/19.7"
 - width 15cm/5.9"

Gauge (10cm/4" square):

- pattern stitch A: 22 sts and 19 rows

Gauge may vary according to individual crochet style. Change hook size if necessary to achieve gauge. Alternatively, rework pattern with your own gauge measurements.

Summary

✳️**Note 1:** Like all Japanese patterns, stitch counts given here for foundation chains do not include any chain sts needed for turning posts.

Body of hat: Work foundation chain to begin, then work in pattern stitch A. (For pattern stitch A, carry non-working yarn up the side of your work.) At each end of piece, work pattern stitch B or B'.

Horns and ears of hat: Referring to charts and schematics, make 2 of each piece.

Hat finishing: With right sides of hat body facing each other, seam ends together with whipstitch. Turn right-side-out, then whipstitch final row to close the top of the hat. Whipstitch horns and ears to top of hat at front center as shown in finishing schematic.

Body of cowl: Work foundation chain to begin, then work in pattern stitches B, A, and then B'.

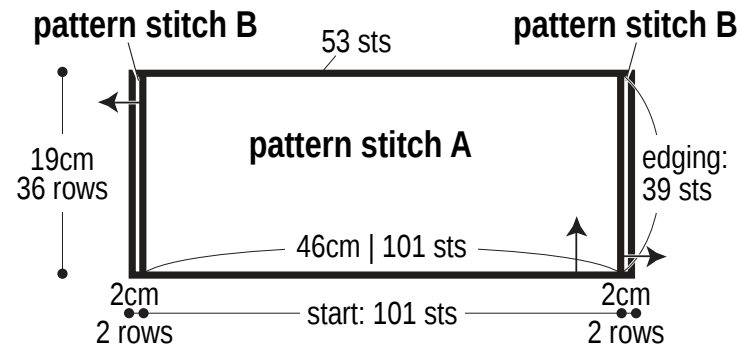
Finishing: With right sides facing each other, seam ends together using whipstitch. Turn right-side-out.

Abbreviations:

ch = chain hdc = half double crochet (US) m = magic ring/circle RS = right side sc = single crochet (US) WS = wrong side

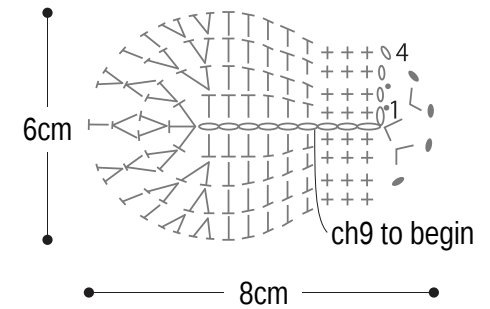
Body of hat 3.5mm hook

*Refer to chart for color sequences.



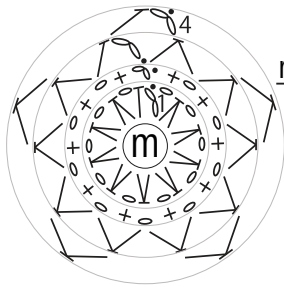
Ear (make 2)

color #20



Horn

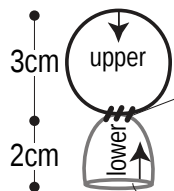
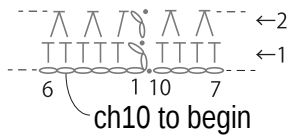
Upper horn (make 2): color #17



round no.	stitch count
4	5 (-5 sts)
3	10 (-10 sts)
2	20 (work even)
1	20 (work into magic ring)

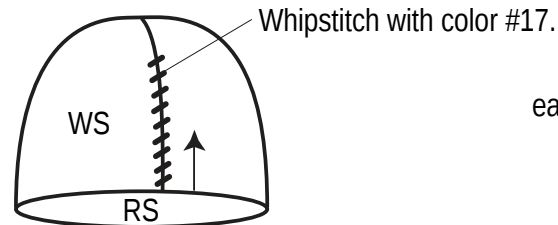
Finishing

Lower horn (make 2): color #20

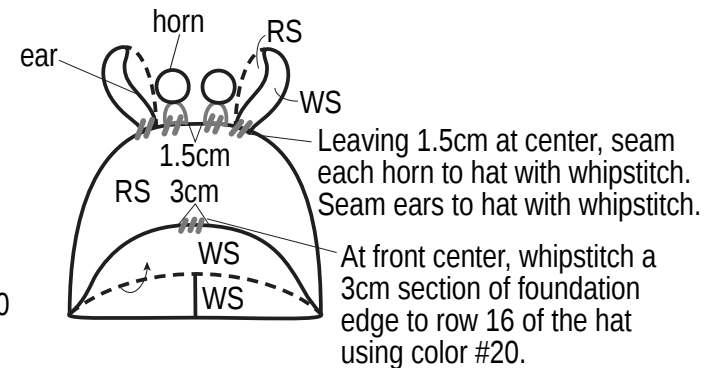
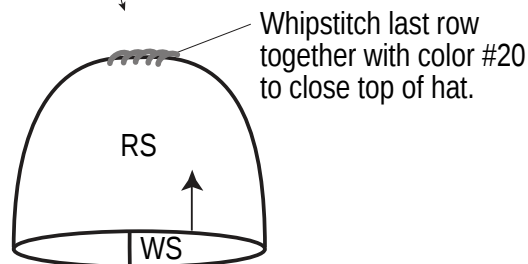


Use the 20cm yarn tail from the upper piece (color #17) to whipstitch it to the lower piece (5 st wide seam).

Hide the 20cm yarn tail (color #20) inside.

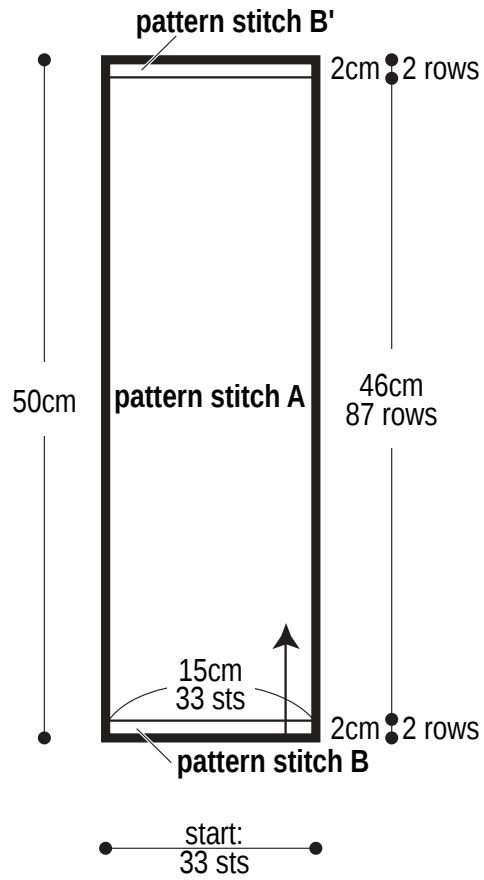


Turn right-side out.

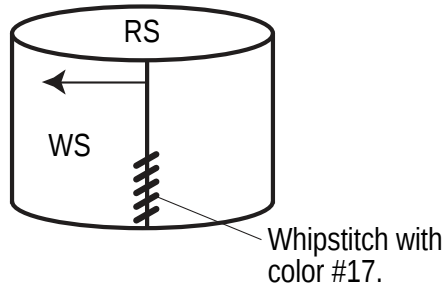


Body of cowl 3.5mm hook

※Refer to chart for color sequences.



Finishing



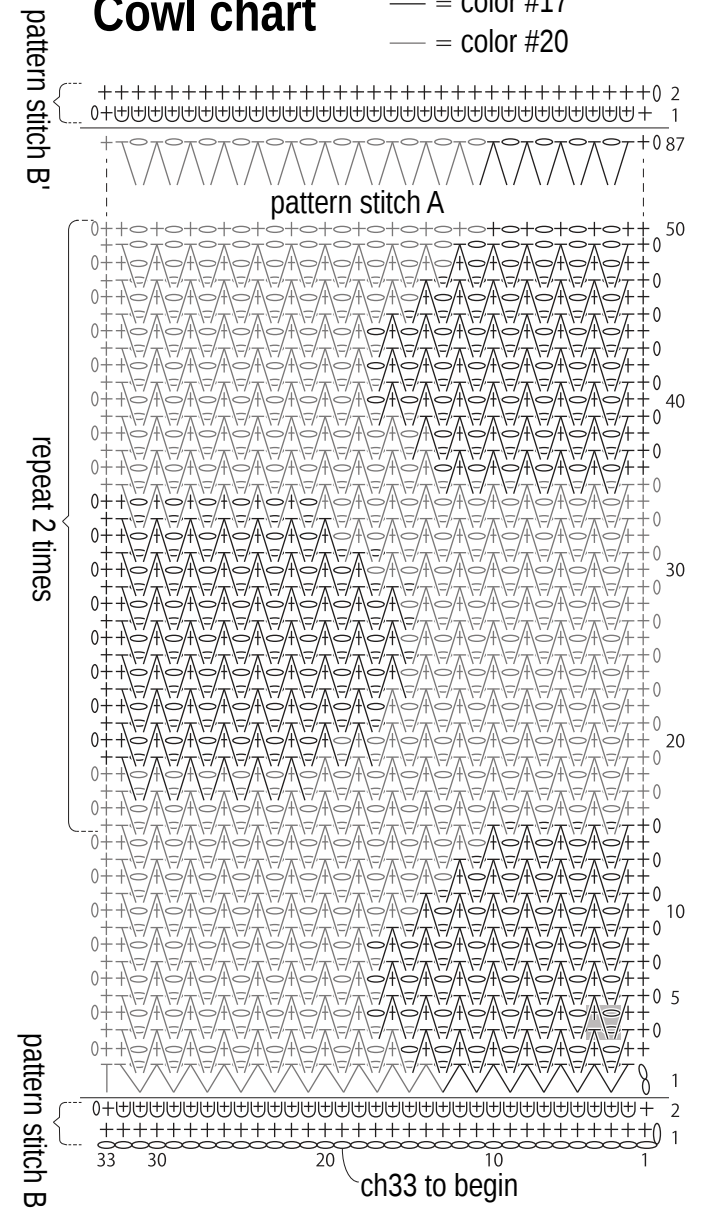
\wedge = work 2 hdc together
 \oplus = sc loop stitch

Use QR code on smartphone to view a video tutorial about how to work sc loop stitch.



Cowl chart

— = color #17
 — = color #20



■ = 1 repeat (2 sts & 2 rows)

Chart: body of hat

— = color #17 — = color #20

∧ = work 2 hdc together

∧ = work 3 hdc together

⊕ = sc loop stitch

