

Trinity Tray & Case Set



Suggested yarn:

- Keito-Zakka Stores Trinity [100% jute; 87yds/80m per 3.5 oz./97-100g hank;
 - large tray:
 - color #03 strawberry red, 1 hank [15g]
 - color #11 indigo, 2 hanks [115g]
 - small tray:
 - color #03 strawberry red, 1 hank [75g]
 - color #11 indigo, 1 hank [5g]
 - CD case (basket):
 - color #03 strawberry red, 1 hank [20g]
 - color #11 indigo, 2 hanks [95g]

Tools/Notions:

- 3.5mm (approx. US E) crochet hook or size necessary to achieve gauge
- 8 snaps (12mm/0.5")

Finished measurements:

- Please refer to schematics.

Gauge (10cm/4" square):

- single crochet (US): 16 sts and 18 rows

Gauge may vary according to individual crochet style. Change hook size if necessary to achieve gauge. Alternatively, rework pattern with your own gauge measurements.

Summary

❖**Note:** Like all Japanese patterns, stitch counts given here for foundation chains do not include any chain sts needed for turning posts.

Trays: Work foundation chain to begin, then work in sc. Once bottom piece is finished, work 1 round of sc around the four edges of the bottom piece. Continue working sc in the round. Sew snaps to corners where indicated on edging schematic, taking care that the snaps do not show through on the right side.

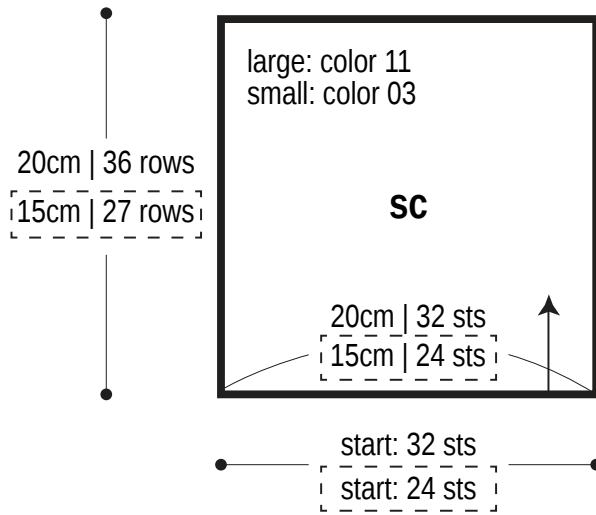
CD case (basket): Work foundation chain to begin, then work in sc. Once bottom piece is finished, work each of the four sides in sc (note that for two of the sides, you should start with 1 row of sc tbl; see schematic). Crochet the handle in sc. Sew the handle to the front of the CD case/basket. With wrong sides facing each other, align the sides according to the symbols marked on the finishing schematic using whipstitch and sc (see schematic for details).

Abbreviations:

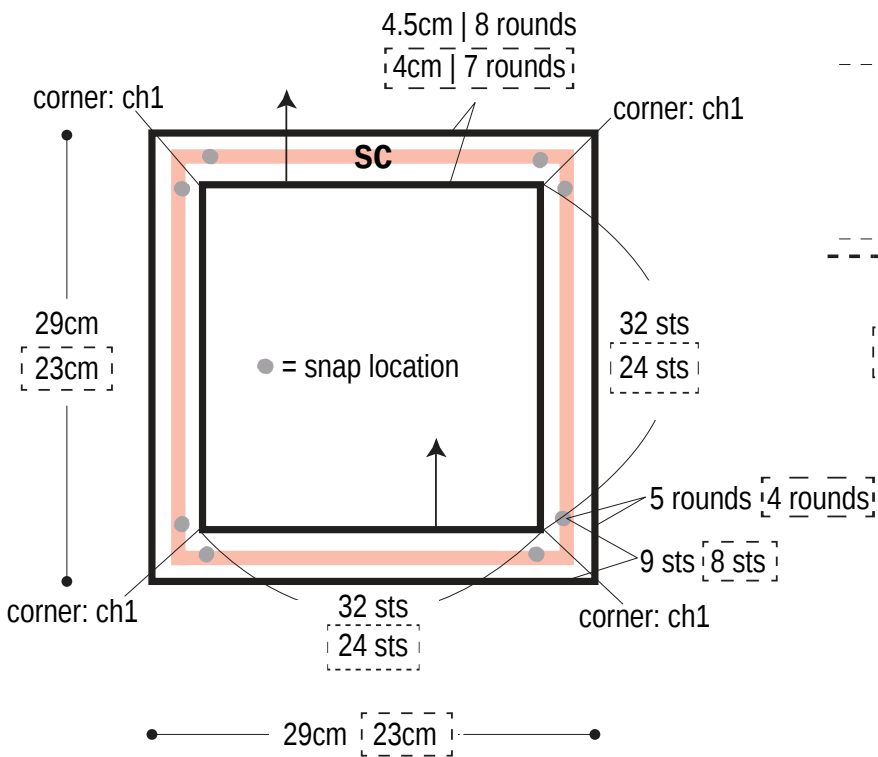
ch = chain stitch sc = single crochet (US) tbl = through back loop only WS = wrong side

Tray 3.5mm hook

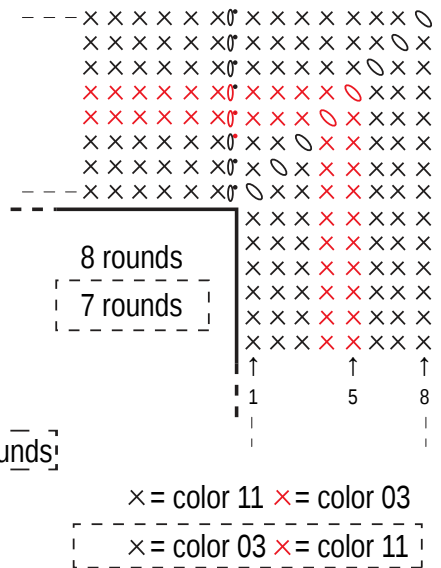
[- - -] = small tray



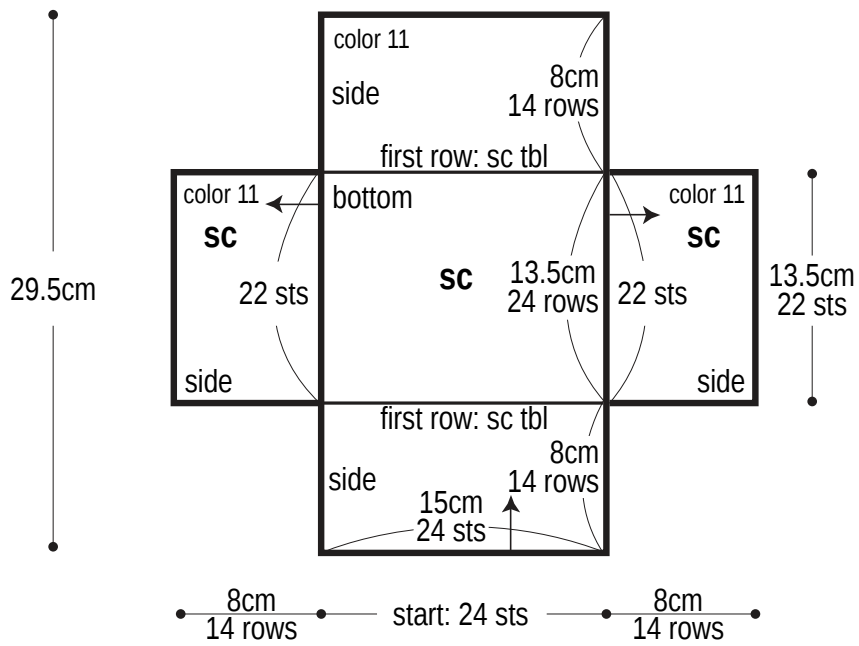
Tray edging 3.5mm hook



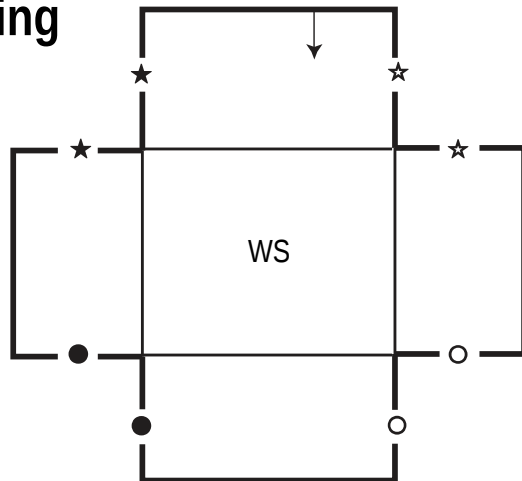
Edging corners



CD case 3.5mm hook



Finishing



Align marks with wrong sides together.

- ★ ★ = whipstitch (color 11)
- ○ = seam with sc (color 03)

Handle 3.5mm hook

