

219AW-01 Soupir Aran Sweater



Suggested yarn:

- Pierrot Yarns Soupir Wool [53% merino wool, 31% acrylic, 15% tencel, 1% silk; 79 yds/72m per 1.4 oz./40g skein]; color #01 cream beige, 17 skeins [680g]

Tools/Notions:

- 3.6mm (approx. US 5) and 4.2mm (approx. US 6 or 7) knitting needles or sizes necessary to achieve gauge
- cable needle

Finished measurements:

- bust 100cm/39.4"
- center back neck-to-cuff 73cm/28.7"
- back length 60cm/23.6"

Gauge (10cm/4" square):

- pattern stitch A: 27.5 sts and 26 rows
- pattern stitch B: 22.5 sts and 26 rows
- moss stitch: 20 sts and 26 rows

Gauge may vary according to individual knitting style. Change needle size if necessary to achieve gauge. Alternatively, rework pattern with your own gauge measurements.

Summary

Body (back & front): Cast on with long-tail cast-on method. Work in k2p2 ribbing, then in moss stitch and pattern stitches A & B.

Sleeve (make 2): Knit as for front & back. Bind off.

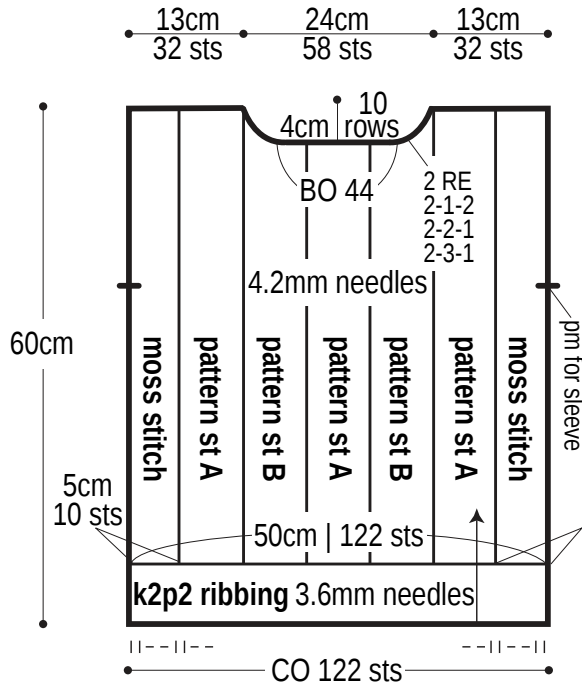
Front placket: Pick up stitches along front V-neck edges; work placket in k2p2 ribbing. Bind off in pattern. Seam bottom of V-neck placket with mattress stitch.

Finishing: Seam shoulders with crochet slip stitch seam. Pick up stitches around neckline and top of front placket; work collar in k2p2 ribbing. Bind off in pattern. Seam sleeves to body with crochet slip stitch seam. Seam sides and sleeve undersides in one continuous mattress stitch seam per side of body.

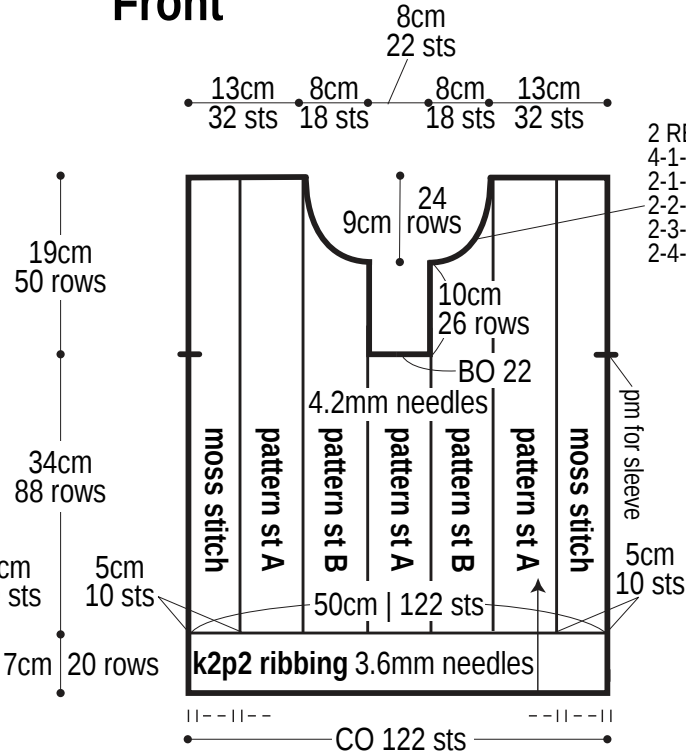
Abbreviations:

BO = bind off CO = cast on k = knit p = purl pm = place marker PU = pick up RE = row(s) even #-#-# = rows-stitches-times

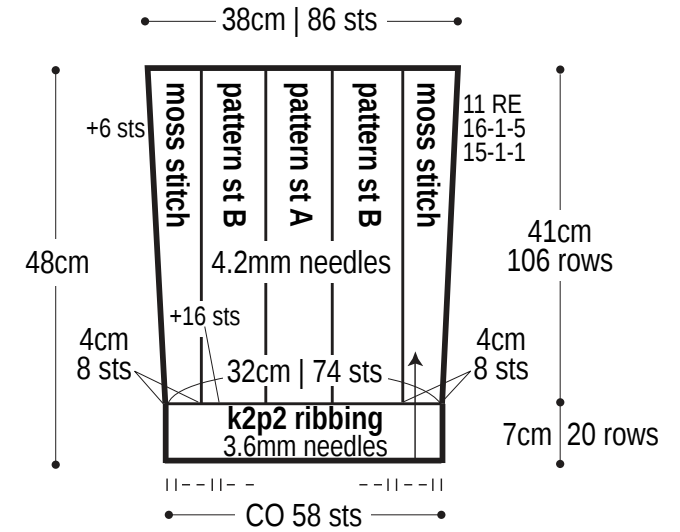
Back



Front

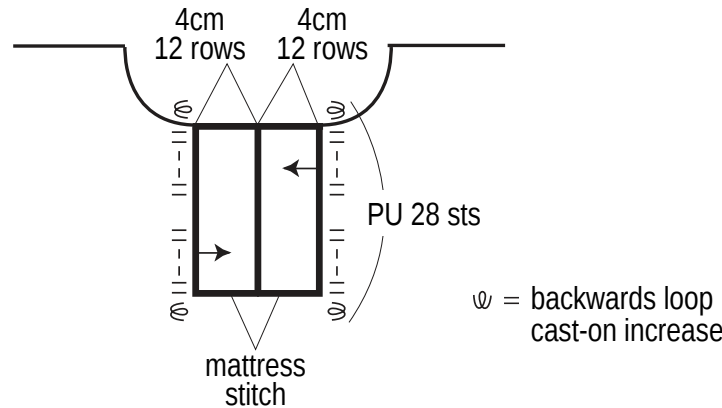


Sleeve



pattern stitch A = 8cm | 22 sts
 pattern stitch B = 8cm | 18 sts

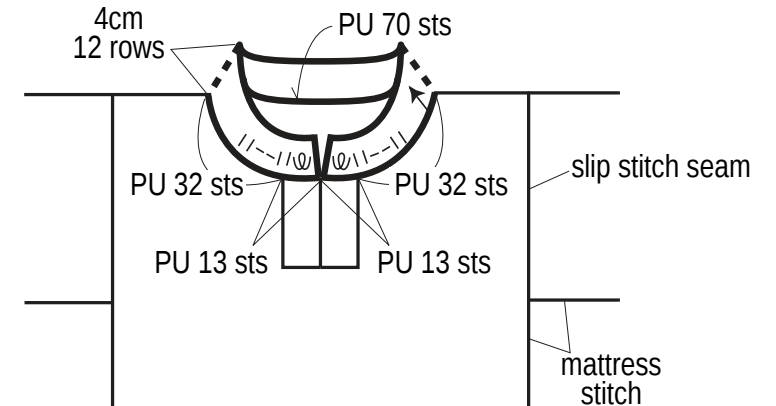
Front placket



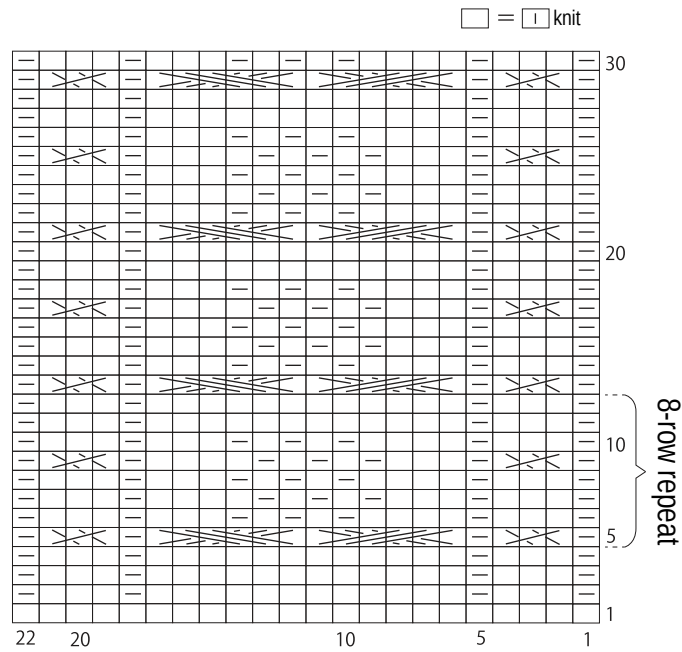
ψ = backwards loop cast-on increase

Finishing

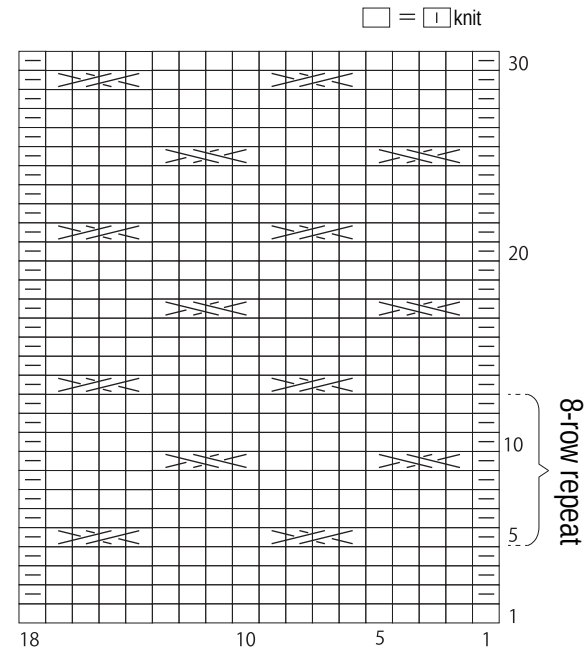
k2p2 ribbing 3.6mm needles



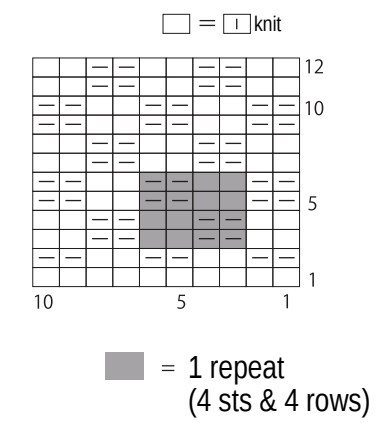
Pattern stitch A


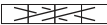


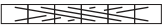


Pattern stitch B



Moss stitch



-  = C3B (slip 2 sts onto cable needle and hold in back of work, k1, k2 from cable needle)
-  = C4B
-  = C4F
-  = C6B
-  = C6F