

# tricot14-7 Big Motif Bag



## Suggested yarn:

- Keito-Zakka Stores Christmas Rose [100% acrylic; 60 yds/55m per 1.41 oz./40g skein];
  - color #01 cocoa brown, 1 skein [35g]
  - color #03 smoky aqua, 1 skein [25g]
  - color #04 terra cotta, 3 skeins [85g]
  - color #07 deep green, 5 skeins [180g]
  - color #08 pansy, 1 skein [40g]

## Tools/Notions:

- 4.0mm (US G) crochet hook or size necessary to achieve gauge

## Finished measurements:

- Please see schematics.

## Gauge (10cm/4" square):

- pattern stitch B: 13.5 sts and 13.5 rows
- single crochet (US): 22 sts and 11 rows

*Gauge may vary according to individual crochet style. Change hook size if necessary to achieve gauge. Alternatively, rework pattern with your own gauge measurements.*

## Summary

❖**Note:** Like all Japanese patterns, stitch counts given here for foundation chains do not include any chain sts needed for turning posts.

**Side (make 2):** ch4 and join into the round. Work pattern stitch A in the round.

**Gusset:** Work foundation chain to begin, then work in pattern stitch B. With right sides facing each other, seam each side to gusset using sc.

**Handles:** Working around top edge of sides and gusset, work handles in the round.

**Finishing:** Fold the handle section of sc tbl to the inside and work slip stitch in the round.

### Abbreviations:

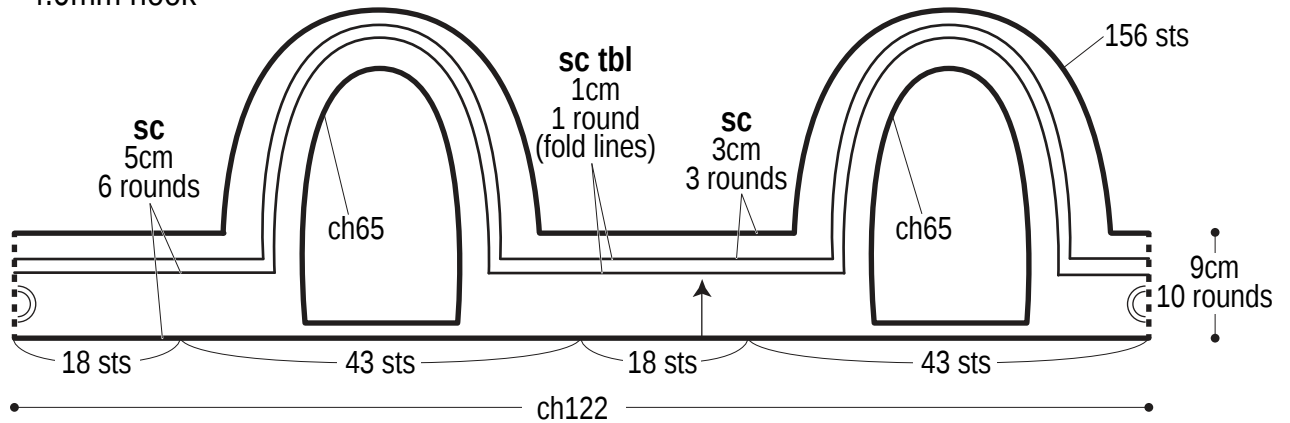
ch = chain

sc = single crochet (US)

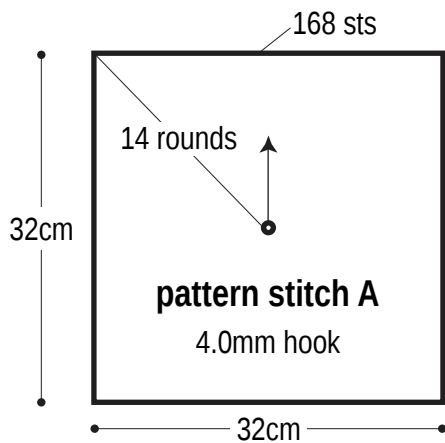
tbl = through back loop only

# Handles

4.0mm hook



# Side (make 2)

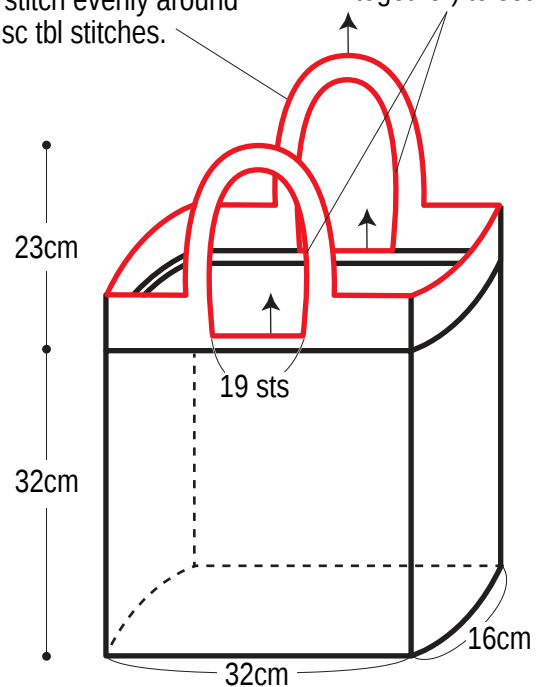


# Finishing

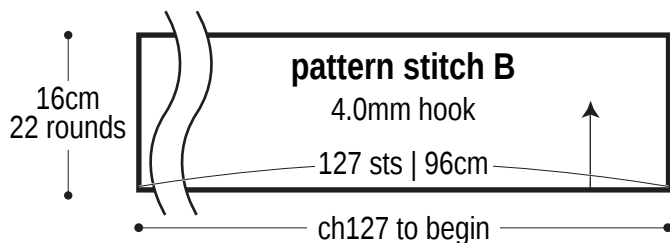
4.0mm hook

**slip stitch (1 round)**  
Working in the round, slip stitch evenly around the sc tbl stitches.

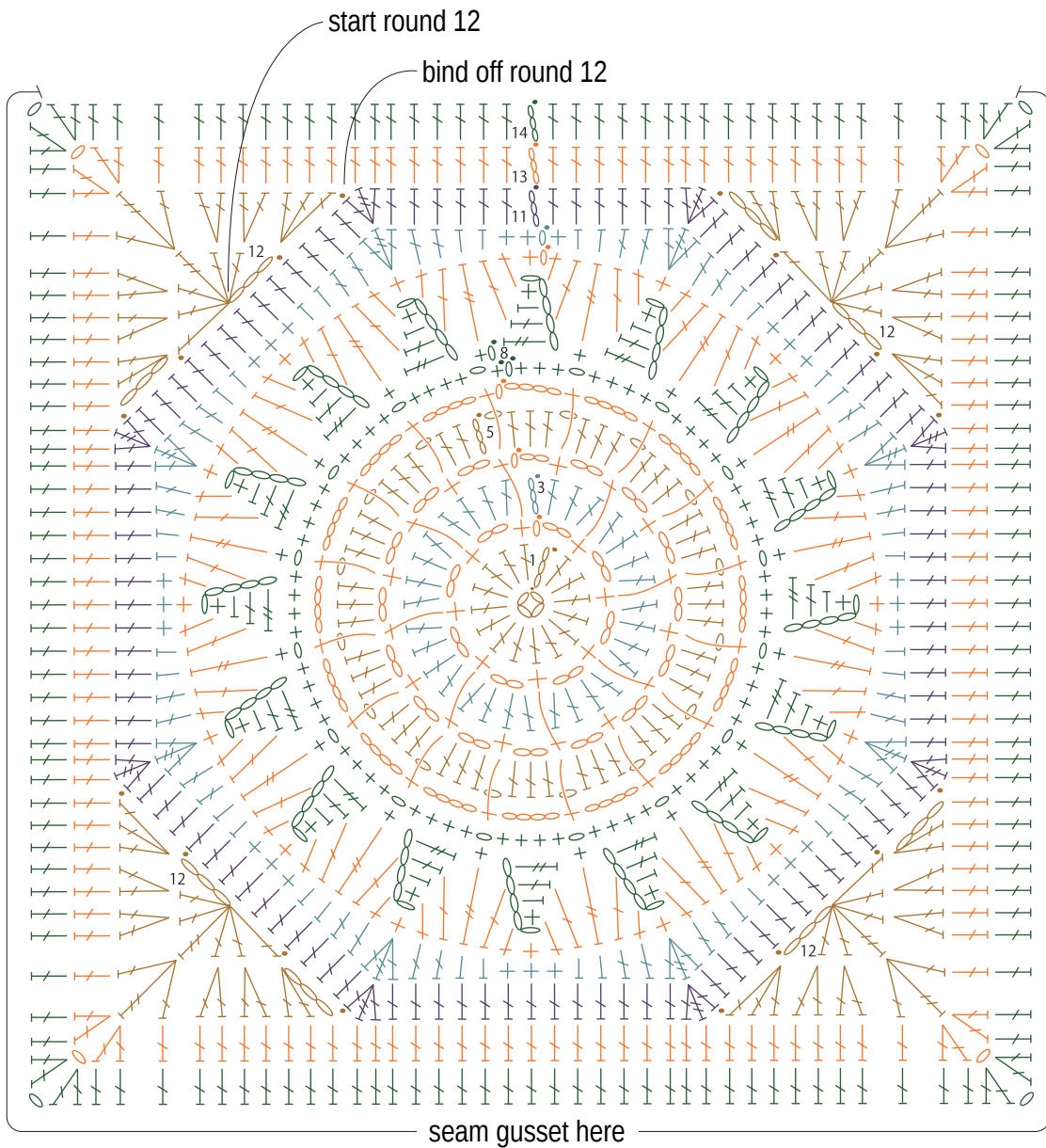
**slip stitch (1 round)**  
Working in the round, work 65 slip sts through chain st and last round (through both layers with wrong sides together) to seam together.



# Gusset



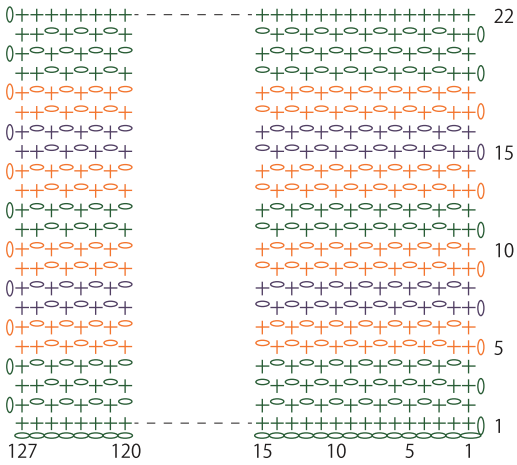
# Side (make 2)



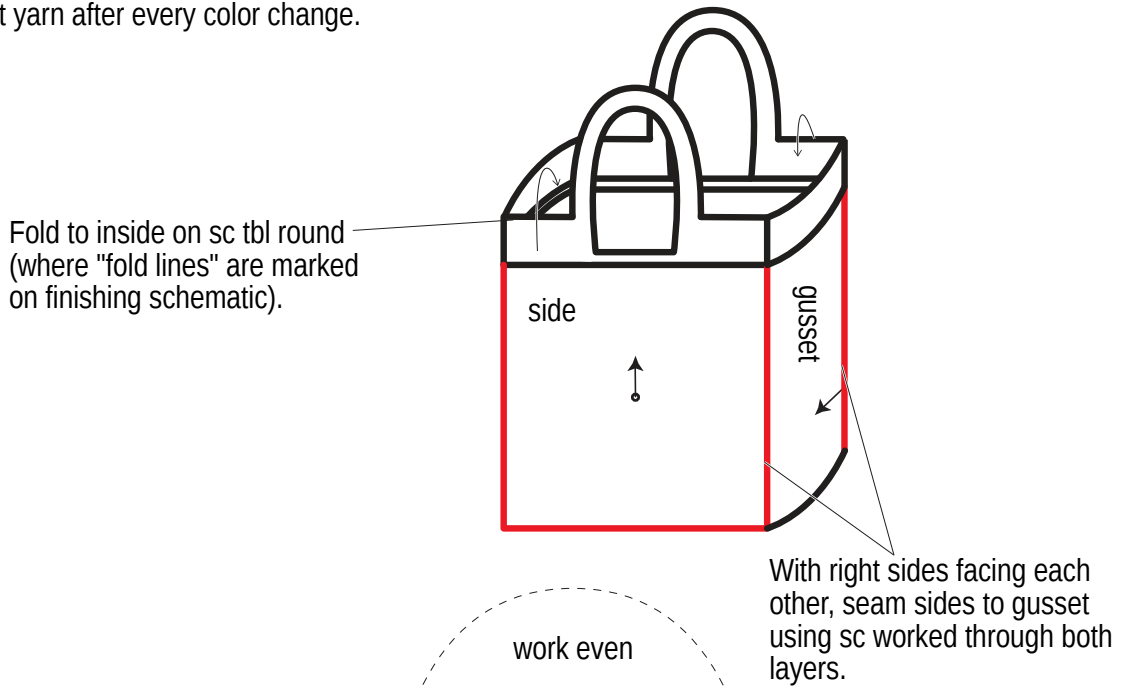
\*Cut yarn after every color change.

- = color #01 cocoa brown
- = color #03 smoky aqua
- = color #04 terra cotta
- = color #07 deep green
- = color #08 pansy

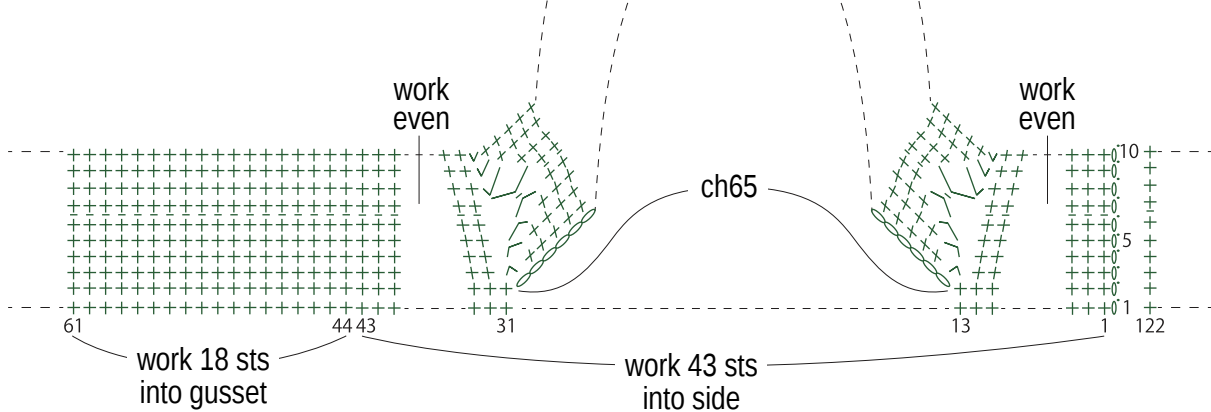
# Gusset chart



※Cut yarn after every color change.



# Handle chart



※Work 62nd to 122nd stitches the same as 1st to 61st stitches.