

1222cc La Puree Cafe Curtain



Suggested yarn:

- Pierrot Yarns La Puree [100% cotton; 197 yds/180m per 1.76 oz./50g cone]; color #100RU clear white, 4 cones [200g]

Tools/Notions:

- 1.5mm (US steel 7) crochet hook or size necessary to achieve gauge
- 7 curtain clips

Finished measurements:

- width 87cm/34.3"
- length 47cm/18.5"

Gauge (10cm/4" square):

- pattern stitch: 39.5 sts and 14 rows

Gauge may vary according to individual crochet style. Change hook size if necessary to achieve gauge. Alternatively, rework pattern with your own gauge measurements.

Summary

***Note:** Like all Japanese patterns, stitch counts given here for foundation chains do not include any chain sts needed for turning posts.

Body of curtain: Work foundation chain to begin, then work in pattern stitch. Work 1 row of sc around three edges of curtain (see schematic). Work edging along the foundation chain edge per schematic.

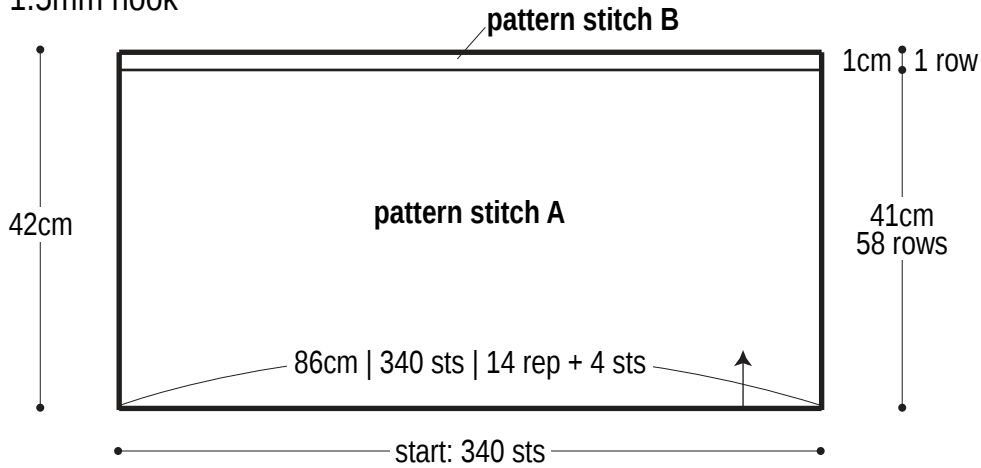
Finishing: Fasten curtain clips to top edge of curtain, then hang curtain on a curtain rod.

Abbreviations:

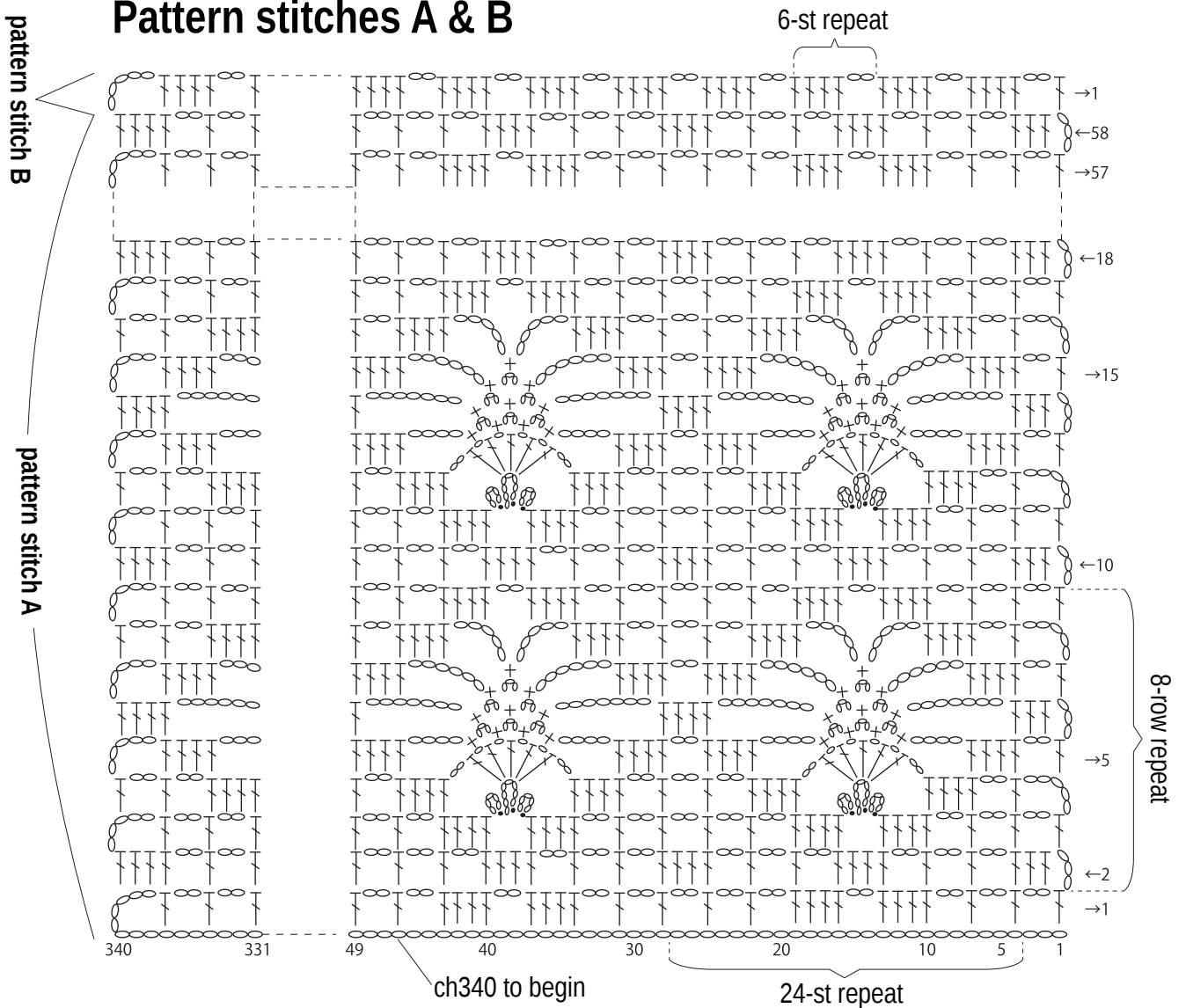
- ch = chain
- dc = double crochet (US)
- rep = pattern repeat(s)
- sc = single crochet (US)

Curtain schematic

1.5mm hook

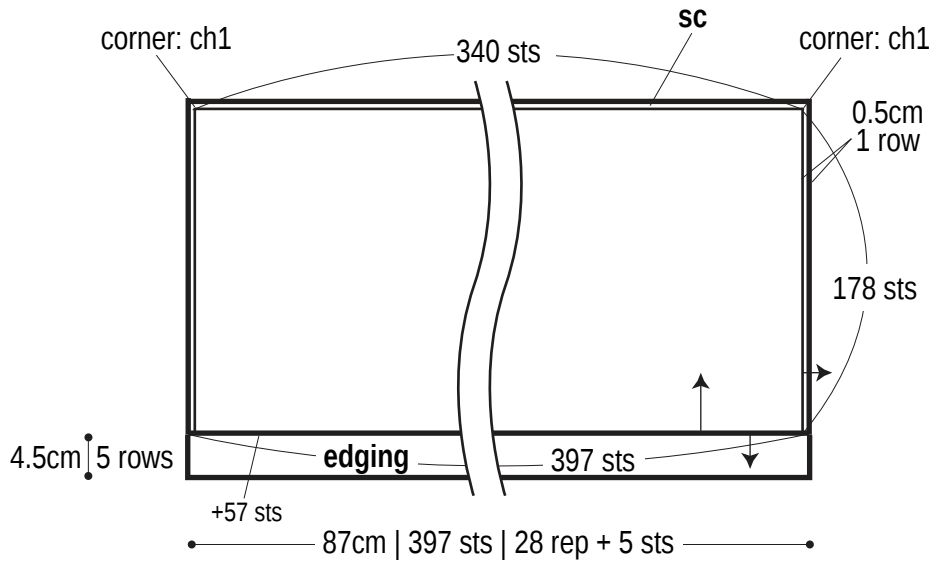


Pattern stitches A & B

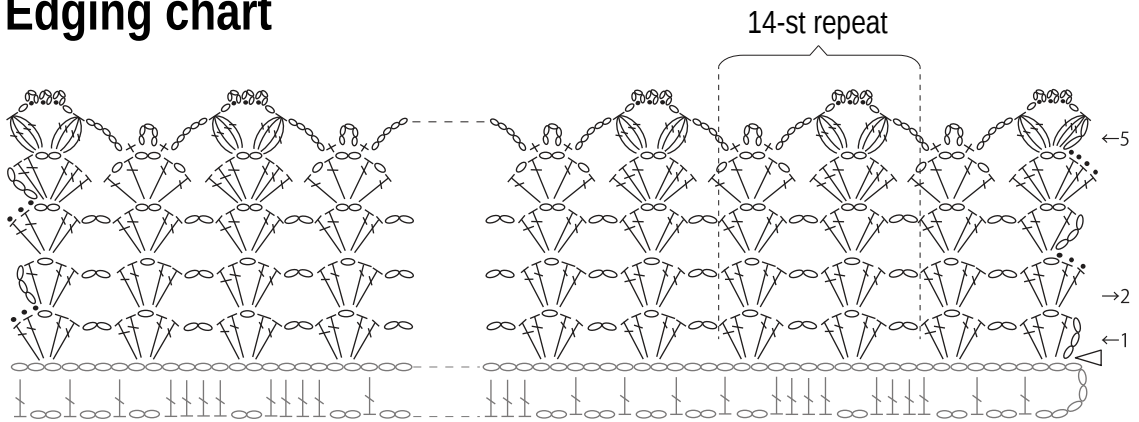


Edging

1.5mm hook



Edging chart



◁ = join yarn

⊕ = 4-dc cluster st

Finishing

