

219ss-13 Veggie Bag B



Suggested yarn:

- Pierrot Yarns Basic Cotton [100% cotton; 60 yds/55m per 1.06 oz./30g skein]; color #1 milk white, 18 skeins [530g]
- Pierrot Yarns Basic Cotton Colors [100% cotton; 60 yds/55m per 1.06 oz./30g skein]; color #24 peacock green, 1 skein [20g]

Tools/Notions:

- 2.5mm (approx. US B or C) crochet hook or size necessary to achieve gauge
- 1 piece Clover interfacing for bottom of bag (1.5mm/0.06" thick)
- 2 snaps (12mm/0.47")

Finished measurements:

- depth (excluding handles) 26cm/10.2"
- width 38cm/15.0"
- gusset depth 16cm/6.3"

Gauge (10cm/4" square):

- pattern stitch A: 18.5 sts and 16 rounds
- pattern stitch B: 18.5 sts and 23 rounds
- single crochet (US): 18.5 sts and 24 rows/rounds

Gauge may vary according to individual crochet style. Change hook size if necessary to achieve gauge. Alternatively, rework pattern with your own gauge measurements.

Summary

✳️**Note:** Like all Japanese patterns, stitch counts given here for foundation chains do not include any chain sts needed for turning posts.

Bottom: Work foundation chain to begin, then work in sc.

Body of bag: Continuing from bottom, work according to schematic.

Handles: Work foundation chain to begin, then work in sc.

Pockets: Work foundation chain to begin, then work in sc and pattern stitch A.

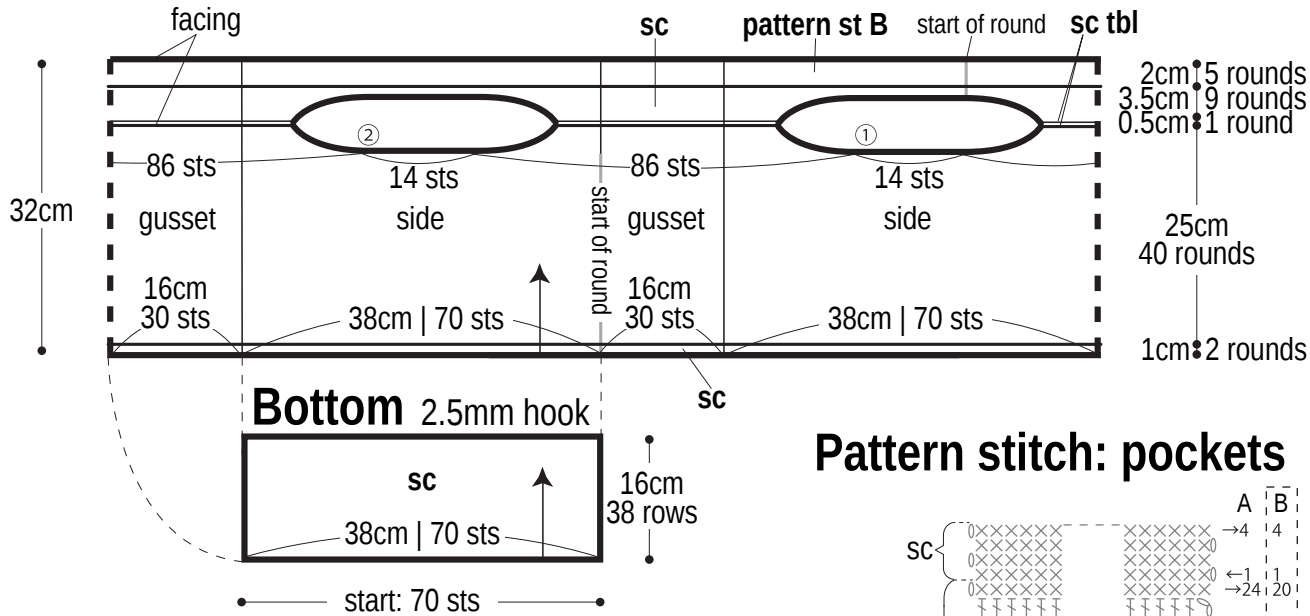
Finishing: Fold facing to inside of bag, then whipstitch in place on wrong side. Seam handles to bag where indicated in finishing schematic. Work 1 round of sc around inside edge of each handle & mouth of bag (see finishing schematic). Whipstitch center section of each handle. Blindstitch pocket piece to body of bag. Whipstitch bottom of pocket to body of bag. Crochet handle cover, then fasten snaps to it. Cut interfacing to required size & shape, then insert into bottom of bag.

Abbreviations:

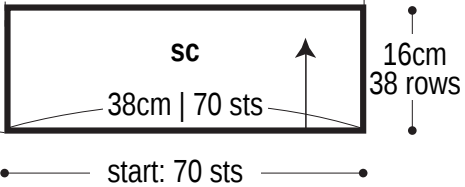
ch = chain sc = single crochet (US) tbl = through back loop only

Body of bag 2.5mm hook

□ = color 1
 ■ = color 24

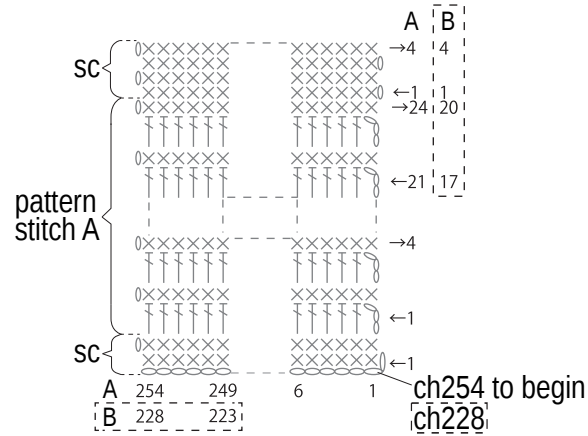


Bottom 2.5mm hook



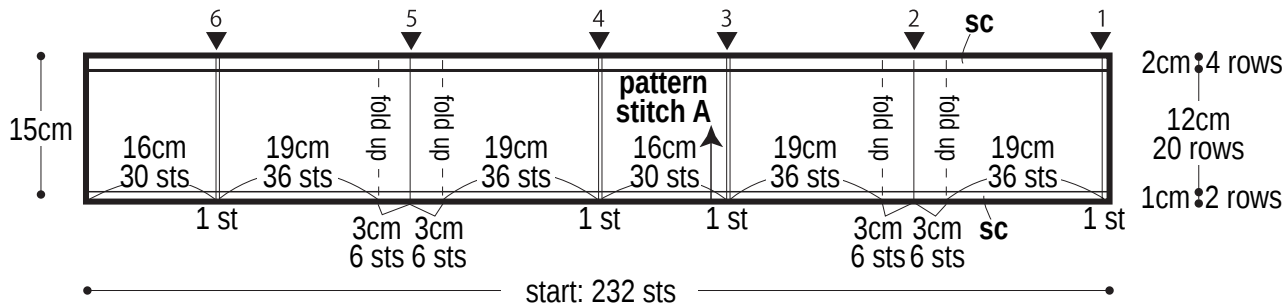
Pattern stitch: pockets

A = color 24
 B = color 1

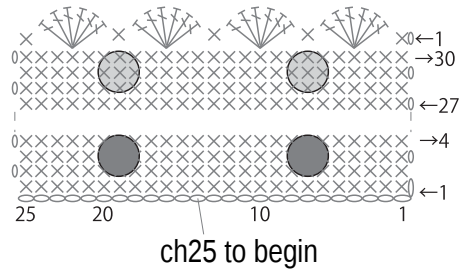
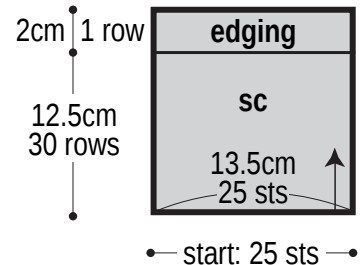


Pocket 2.5mm hook

▼ = seam pocket to body of bag here using half blindstitch

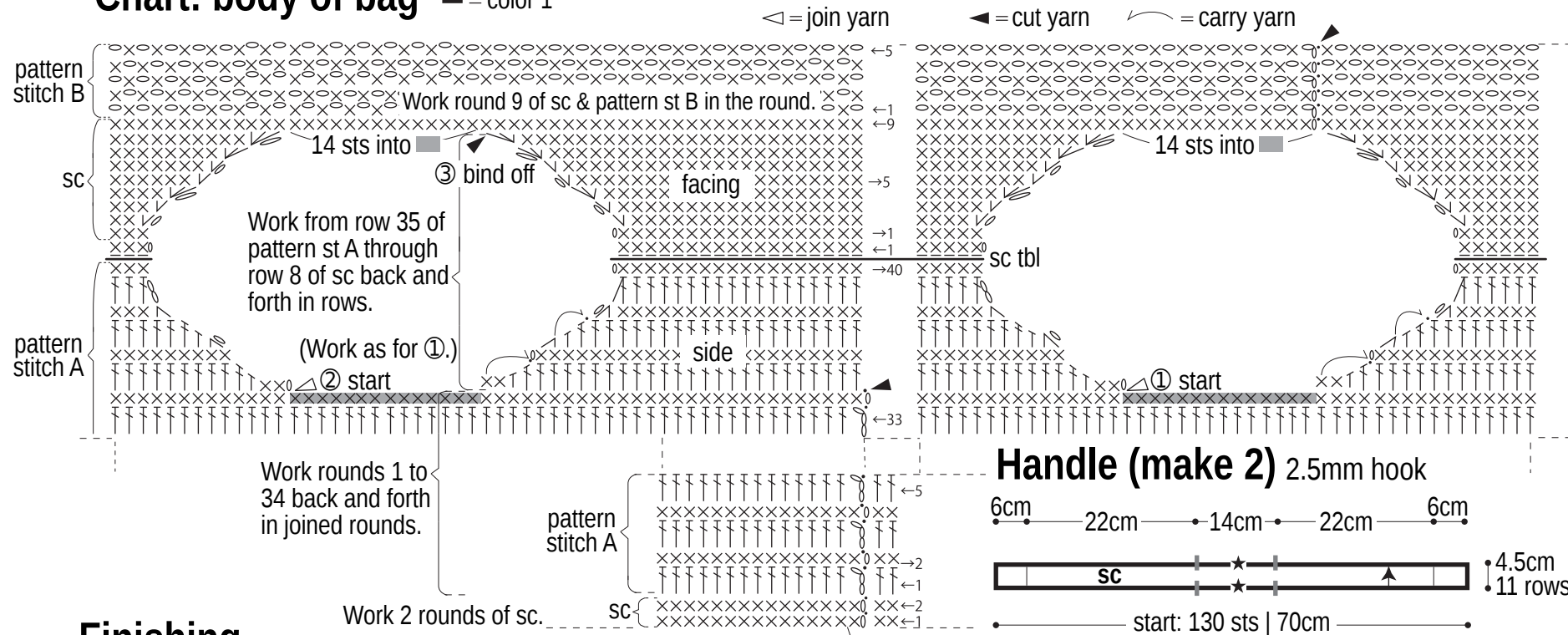


Handle cover 2.5mm hook



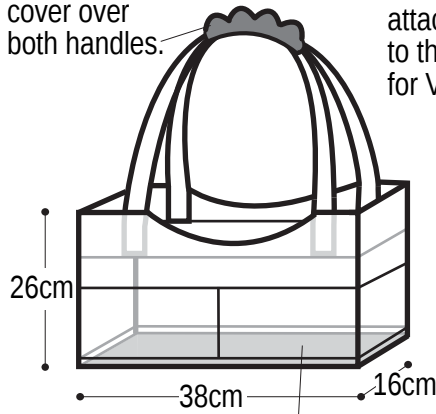
○ = Fasten snap stud to wrong side.
 ● = Fasten snap socket to wrong side.

Chart: body of bag — = color 1



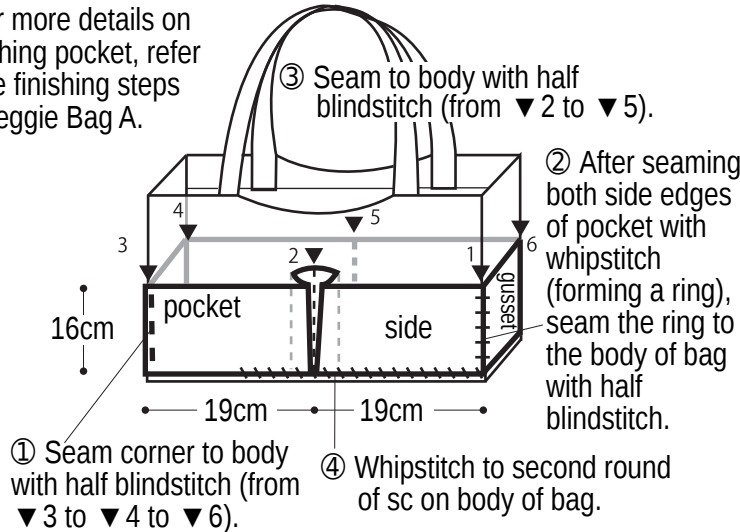
Finishing

Fasten handle cover over both handles.

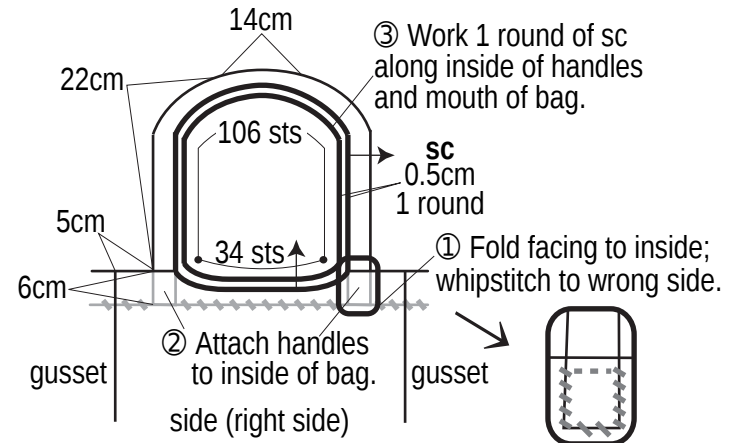


⑤ Insert interfacing (38cm x 16cm).

*For more details on attaching pocket, refer to the finishing steps for Veggie Bag A.



④ Align ★ sections with wrong sides facing each other and whipstitch.



*Whipstitch handle to facing with whipstitch.