

# 218aw-15 Aran Purse



## Suggested yarn:

- Pierrot Yarns Junmo Gokubuto 2 [100% wool; 57 yds/52m per 1.41 oz./40g skein]; color #102 white asparagus, 7 skeins [250g]

## Tools/Notions:

- 6.3mm (approx. US 10½) knitting needles or size necessary to achieve gauge
- 5.0mm (US H) crochet hook or size necessary to achieve gauge
- cable needle
- magnetic clasp (14mm/0.6" diameter)
- 2 handles (each 2cm/0.8" wide and 60cm/23.6" long)

## Finished measurements:

- width 33cm/13.0"
- depth (excluding handles) 24.5cm/9.6"
- gusset width 3cm/1.2"

## Gauge (10cm/4" square):

- pattern stitch: 15.5 sts and 19 rows

*Gauge may vary according to individual knitting style. Change needle size if necessary to achieve gauge. Alternatively, rework pattern with your own gauge measurements.*

## Summary

✳️**Note:** entire bag worked with 2 strands of yarn held together.

**Bottom of bag:** With crochet hook, work foundation chain to begin, then work bottom in sc in the round, increasing as indicated in chart.

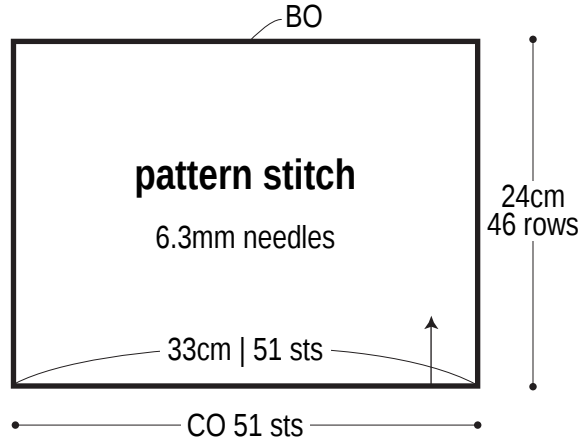
**Side of bag (make 2):** With knitting needles, cast on with long-tail cast-on method. Work in pattern stitch. Bind off.

**Finishing:** With wrong sides facing each other, seam the sides of the bag together to form a tube. With wrong sides facing each other, seam bottom to sides with sc worked through both pieces. Work 1 round of sc edging around mouth of bag. Fasten handles and magnetic clasp to sides of bag.

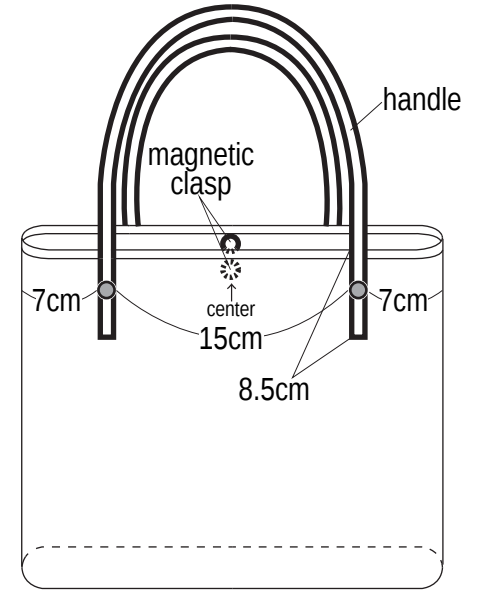
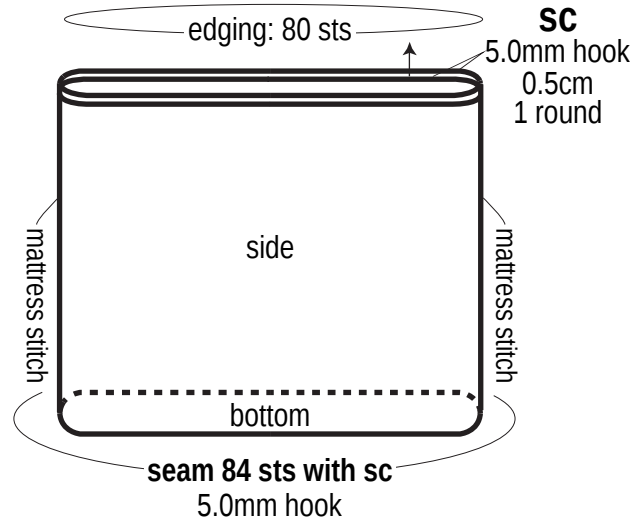
## Abbreviations:

BO = bind off    ch = chain stitch    CO = cast on    sc = single crochet stitch (US)

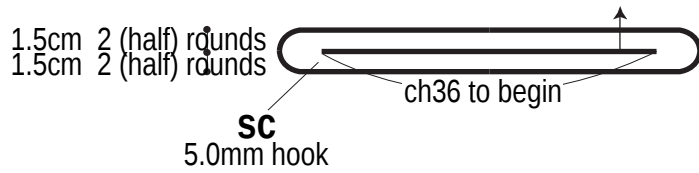
# Sides (make 2)



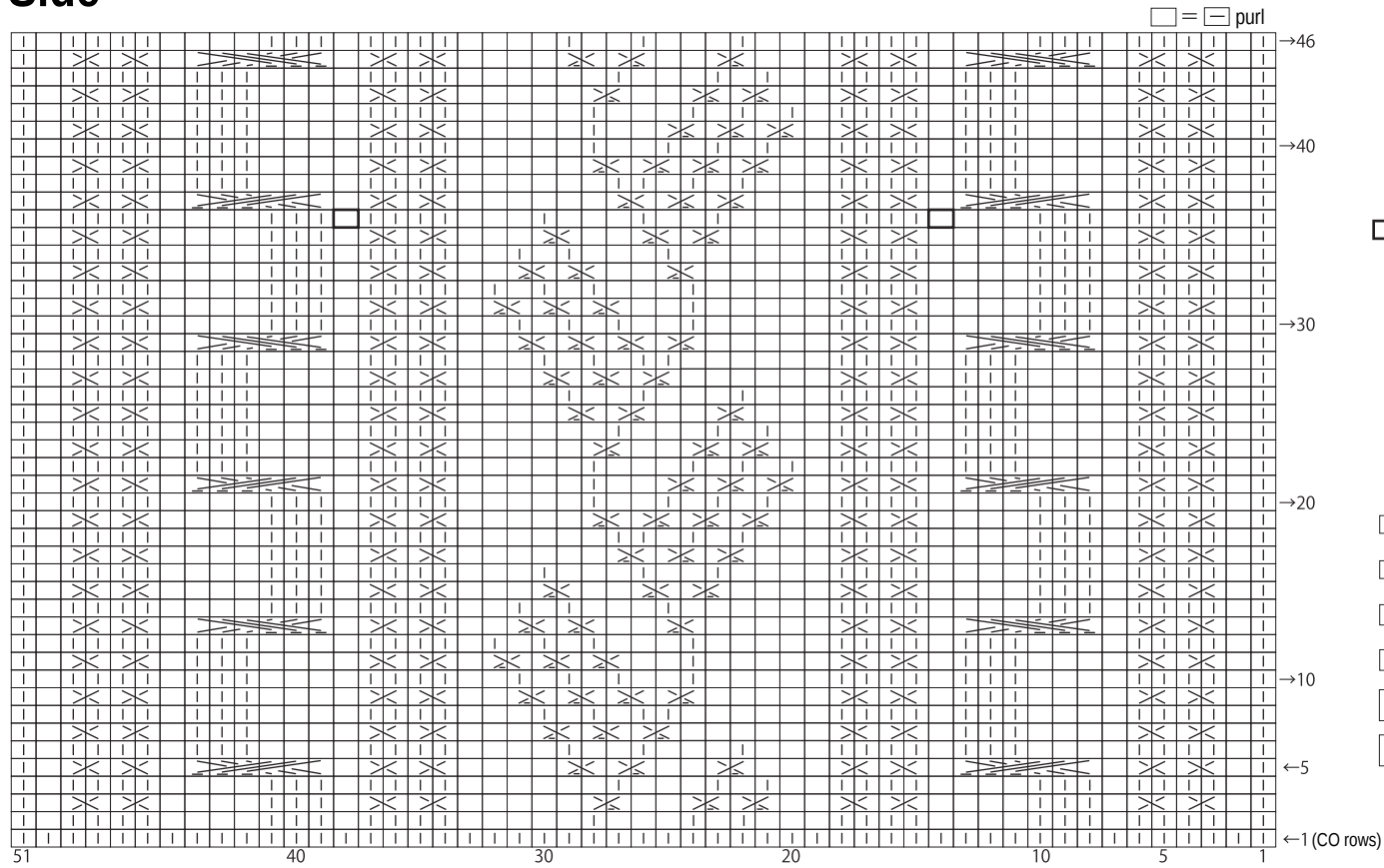
# Finishing



# Bottom



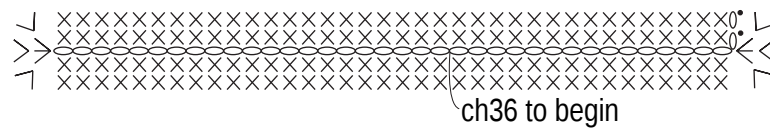
# Side



□ = attach handle here

- ⊗ = C2F
- ⊗ = C2B
- ⊗ = C2Fp (purl the stitch in back)
- ⊗ = C2Bp (purl the stitch in back)
- ⊗ = C6Fp (purl the sts in back)
- ⊗ = C6Bp (purl the sts in back)

# Bottom



round no.	stitch count
2	84 (+6 sts)
1	78
	ch36