

sakka-2 Pochette



Suggested yarn:

- Pierrot Yarns Heat+ [100% polyester; 113 yds/103m per 1.41 oz./40g skein];
 - color #06 antique green, 3 skeins [110g]
 - color #11 camel, 1 skein [40g]

Tools/Notions:

- 4.0mm (US G), 5.0mm (US H), and 6.0mm (US J) crochet hooks or sizes necessary to achieve gauge
- 180cm/70.87" piece of waxed cord (2.5mm/0.10" wide)
- approx. 130cm/51.18" piece of super bulky yarn (cotton or jute) for reinforcing bottom of bag

Finished measurements:

- Please refer to schematics.

Gauge (10cm/4" square):

- pattern stitch A: 17 sts and 14 rounds

Gauge may vary according to individual crochet style. Change hook size if necessary to achieve gauge. Alternatively, rework pattern with your own gauge measurements.

Summary

✳️**Note:** Entire bag worked with 3 strands of yarn held together.

Bottom: Work magic ring to begin, then work bottom in sc in the round, increasing as indicated. After finishing round 13, do not cut yarn. Drop Heat+ and pick up the super bulky cotton or jute you're using to strengthen the bottom of the bag. Work 1 round of sc with the super bulky yarn. Block with iron from wrong side, being sure to use a press cloth, until fabric has hardened. Take care not to block the unused strand of Heat+ while you block the rest of the bottom. Ensure that you harden the bottom enough that the bottom forms a sturdy base.

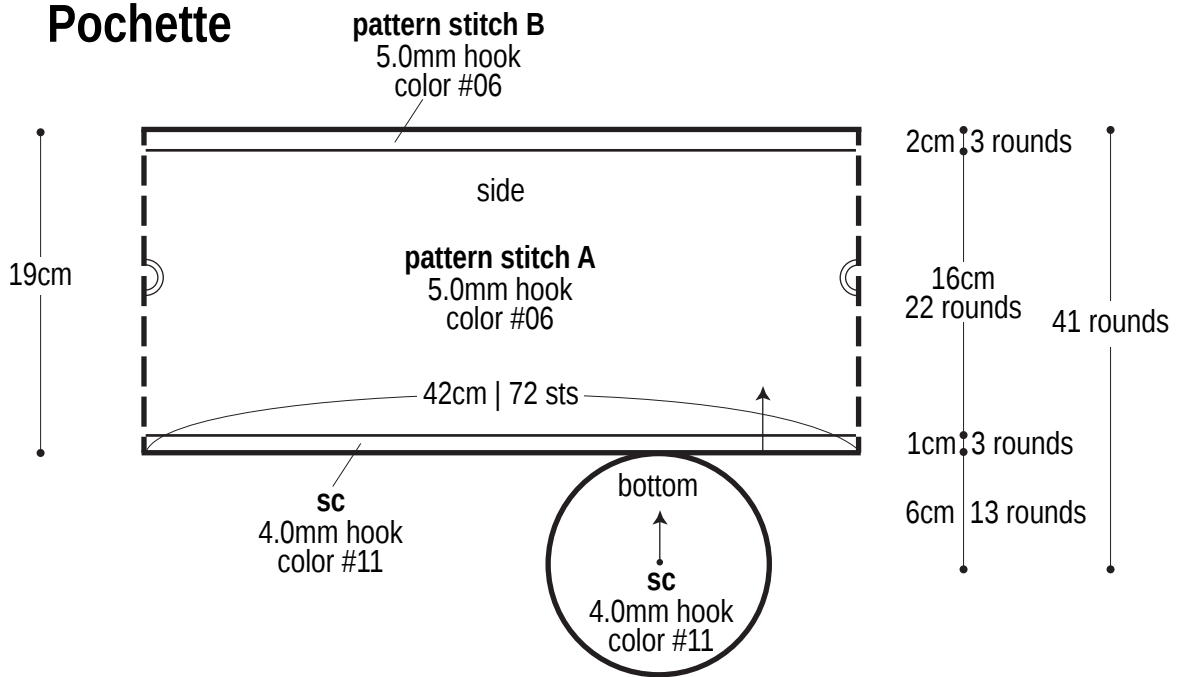
Sides: After blocking with iron and allowing to cool, unravel the super bulky yarn and pick up the live strand of Heat+ again. Work sides in sc and pattern stitches A & B using Heat+.

Finishing: Referring to finishing schematic, thread waxed cord through top of bag where indicated. Tie ends of cord in a bow knot after trimming ends to length desired.

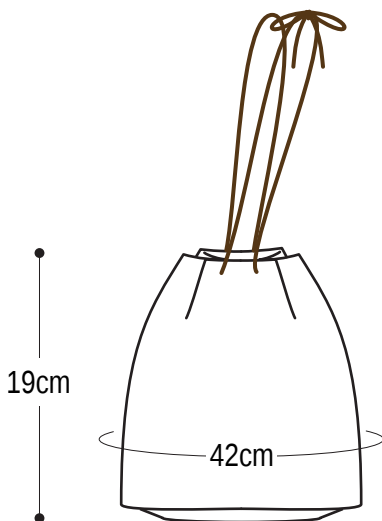
Abbreviations:

ch = chain
m = magic ring/circle
sc = single crochet (US)

Pochette



Finished item



Bottom increases

round no.	stitch count
1	72 (super bulky yarn, 6.0mm hook) <i>after ironing, unravel this & resume work with main yarn</i>
13	72 (work even) <i>do not cut yarn</i>
12	72
11	66
10	60
9	54
8	48
7	42
6	36
5	30
4	24
3	18
2	12
1	6 (work into magic ring)

+6 sts per round (applies to rounds 7-13)
4.0mm hook (applies to rounds 1-13)

— = color #06 antique green

— = color #11 camel

— = super bulky yarn (cotton or jute)

○ = thread waxed cord through here

Pochette chart

