

1219sbag Kuchen Shoulder Bag



Suggested yarn:

- Pierrot Yarns Kuchen [100% wool; 153 yds/140m per 8.82 oz./250g cone];
- color #10 Dark Gray, 1 cone [210g]

Tools/Notions:

- 8.0mm (US 11) knitting needles or size necessary to achieve gauge
- 7.0mm (no US equivalent) crochet hook or size necessary to achieve gauge
- darning needle
- 2 pieces cardboard or stiff interfacing (25cm/9.84" x 6cm/2.36")
- 2 magnetic clasps (14mm/0.55" diameter)

Finished measurements:

- width 25cm/9.84"
- height 15cm/5.91"
- gusset 6cm/2.36"
- strap length 120cm/47.24"

Gauge (10cm/4" square):

- twisted k1p1 ribbing: 14 sts and 14 rows

Gauge may vary according to individual knitting style. Change needle size if necessary to achieve gauge. Alternatively, rework pattern with your own gauge measurements.

Summary

Part A: Cast on with long-tail cast-on method. Work in twisted k1p1 ribbing and reverse st st. Bind off in pattern.

Part B: Cast on with long-tail cast-on method. Work in twisted k1p1 ribbing. Bind off in pattern.

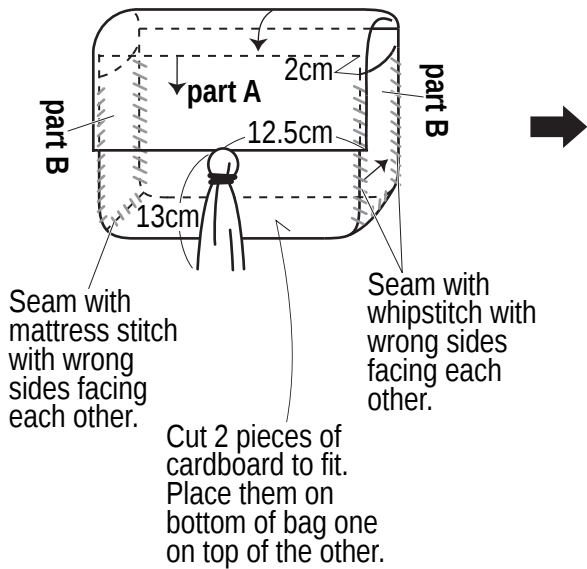
Shoulder strap (make 2): With crochet hook, work foundation chain 29 sts long to begin. Work in slip stitch and bobble stitch according to chart.

Finishing: Assemble bag by seaming parts A & B together using mattress stitch and whipstitch (refer to finishing schematic for details). Make tassel according to finishing schematics, then fasten to part B from the inside. Sew magnetic clasps to bag where indicated. Cut 2 pieces of cardboard as indicated in finishing schematics; place one on top of the other in the bottom of the bag, spreading out as needed.

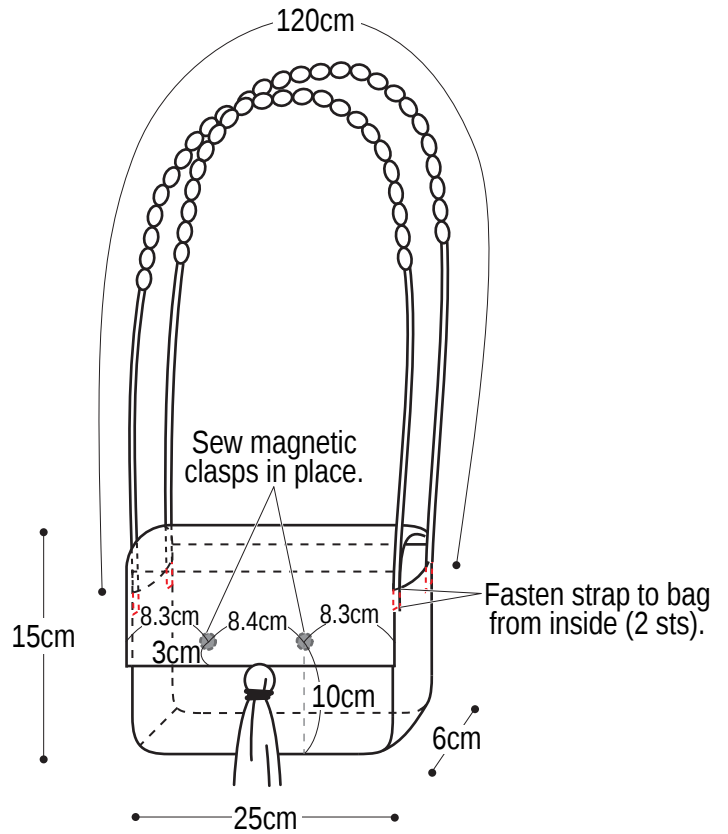
Abbreviations:

BO = bind off
ch = chain stitch
CO = cast on
k = knit
p = purl
st st = stockinette stitch

Finishing

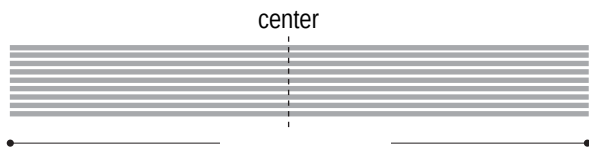


※Refer to tassel instructions below on how to make and attach tassel.

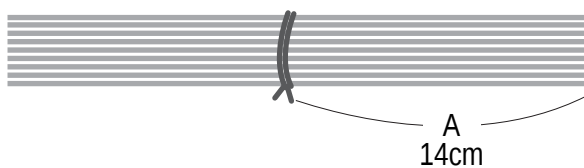


Tassel instructions

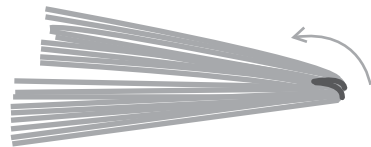
① Prepare 9 pieces of yarn, each 28cm long.



② Knot securely at center.



③ Fold section A from knot at center.



④ Using a piece of the same yarn, wrap yarn around head end of tassel 2cm from the fold. Knot securely.

