

tricot12-7 Basketweave Purse



Suggested yarn:

- Keito-Zakka Stores Lier [70% cotton, 30% acrylic; 90 yds/82m per 1.41 oz./40g skein];
 - color #08 Milk, 7 skeins [250g]

Tools/Notions:

- 3.0mm (approx. US C or D) crochet hook or size necessary to achieve gauge
- 2 fur or fake fur pompoms, 1 light brown and 1 dark brown
- keychain hardware to attach pompoms to purse handle

Finished measurements:

- bag depth 24cm/9.45"
- bag circumference 76cm/29.92"

Gauge (10cm/4" square):

- single crochet (US): 21 sts and 26 rows
- pattern stitch: 21 sts and 18 rows

Gauge may vary according to individual crochet style. Change hook size if necessary to achieve gauge. Alternatively, rework pattern with your own gauge measurements.

Summary

✳️**Note:** Like all Japanese patterns, stitch counts given here for foundation chains do not include any chain sts needed for turning posts.

Bag: Work foundation chain to begin, then work bottom in sc. After finishing bottom, work pattern stitch around edge of bottom piece, then continue working body of bag in the round in pattern stitch. Join yarn where indicated, work chain, then work handles (refer to schematic and chart).

Finishing: Fold each handle such that right sides face each other; whipstitch as indicated in finishing schematic. Work 1 round of slip stitch around mouth of bag.

Abbreviations:

bp = back post
ch = chain
fp = front post
hdc = half double crochet (US)
sc = single crochet (US)

Schematic

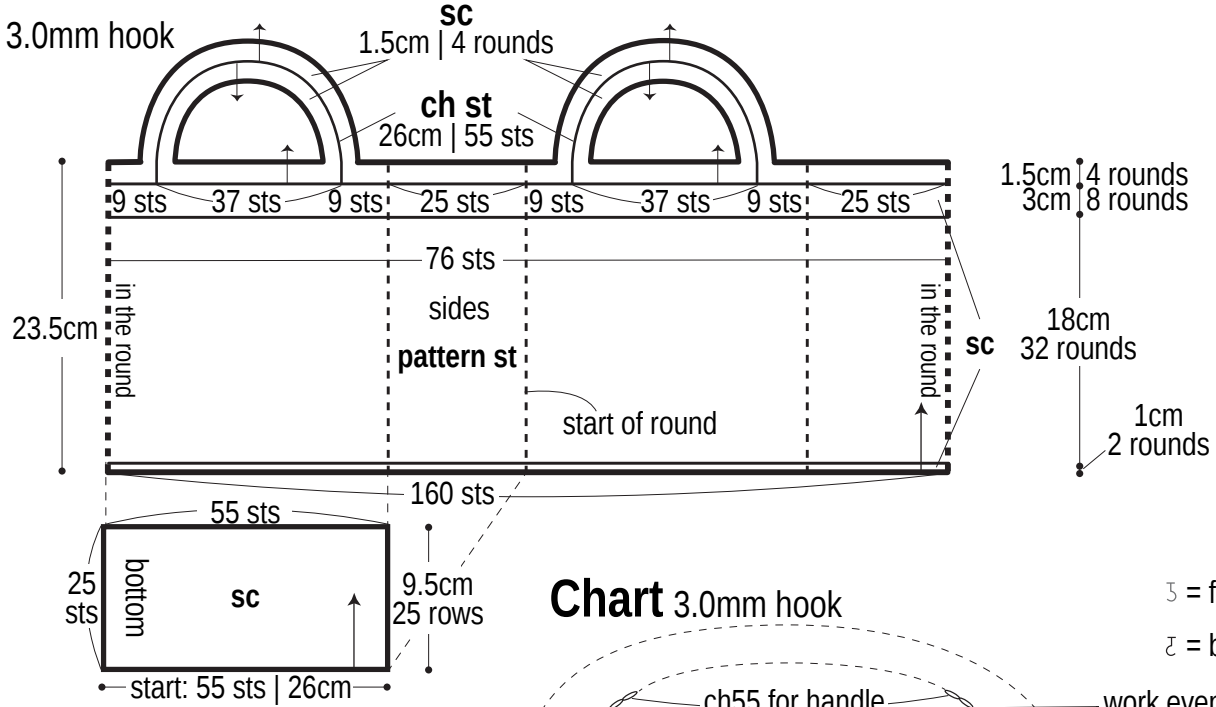
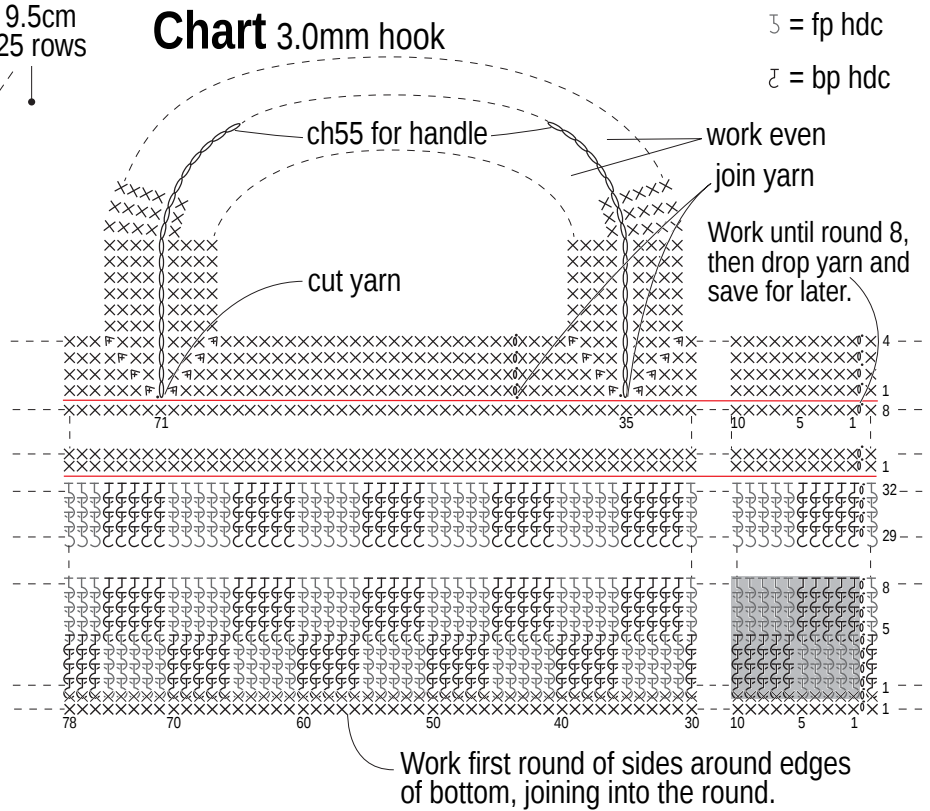
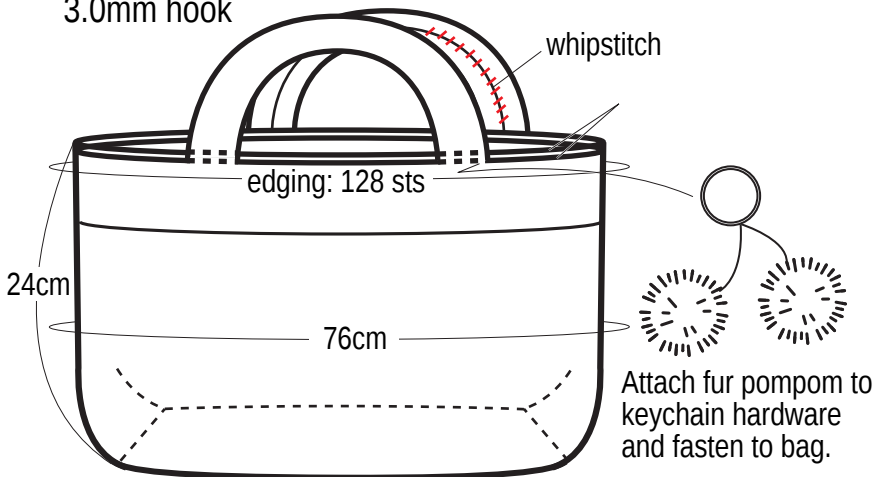


Chart 3.0mm hook



Finishing

3.0mm hook



Whipstitch each handle into tube shape. Work 1 round of slip st edging around mouth of bag.

Use QR code on a smartphone to view video tutorials for fp hdc and bp hdc stitches.

fp hdc



bp hdc

