

217w-10 Nordic Clasp Purse



Suggested yarn:

- Pierrot Yarns Nordic Super Bulky [100% wool; 58 yds/53m per 2.82 oz./80g skein];
 - color #51 Ivory, 2 skeins [150g]
 - color #52 Greige, 2 skeins [90g]
 - color #54 Dark Brown, 1 skein [50g]

Tools/Notions:

- 8.0mm (US L) crochet hook or size necessary to achieve gauge
- purse frame (approx. 25cm/9.84" wide, 12cm/4.72" tall)
- sewing needle & thread
- chain for purse strap (120cm/47.24" long, 4mm/0.16" wide)

Finished measurements:

- width 34cm/13.39"
- height 21cm/8.27"

Gauge (10cm/4" square):

- pattern stitch: 9 sts and 10.5 rows

Gauge may vary according to individual crochet style. Change hook size if necessary to achieve gauge. Alternatively, rework pattern with your own gauge measurements.

Summary

✳️**Note:** Like all Japanese patterns, stitch counts given here for foundation chains do not include any chain sts needed for turning posts.

Purse: Work foundation chain to begin, then work in pattern stitch according to chart and schematic.

Finishing: Work sc edging in the round. With right sides sides facing each other, seam sides together by working whipstitch through one half of each sc stitch. Turn right-side-out, then use sewing thread to sew purse frame to sc sts around mouth of purse. Attach chain to purse frame.

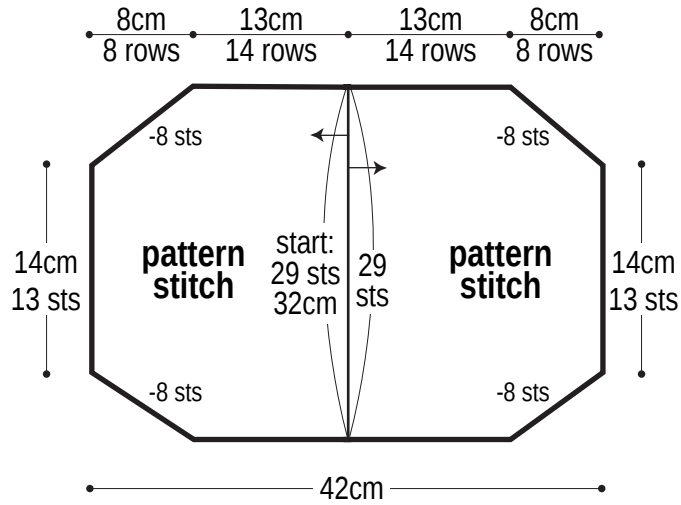
Abbreviations:

ch = chain st

hdc = half double crochet (US)

sc = single crochet (US)

Purse schematic 8.0mm hook

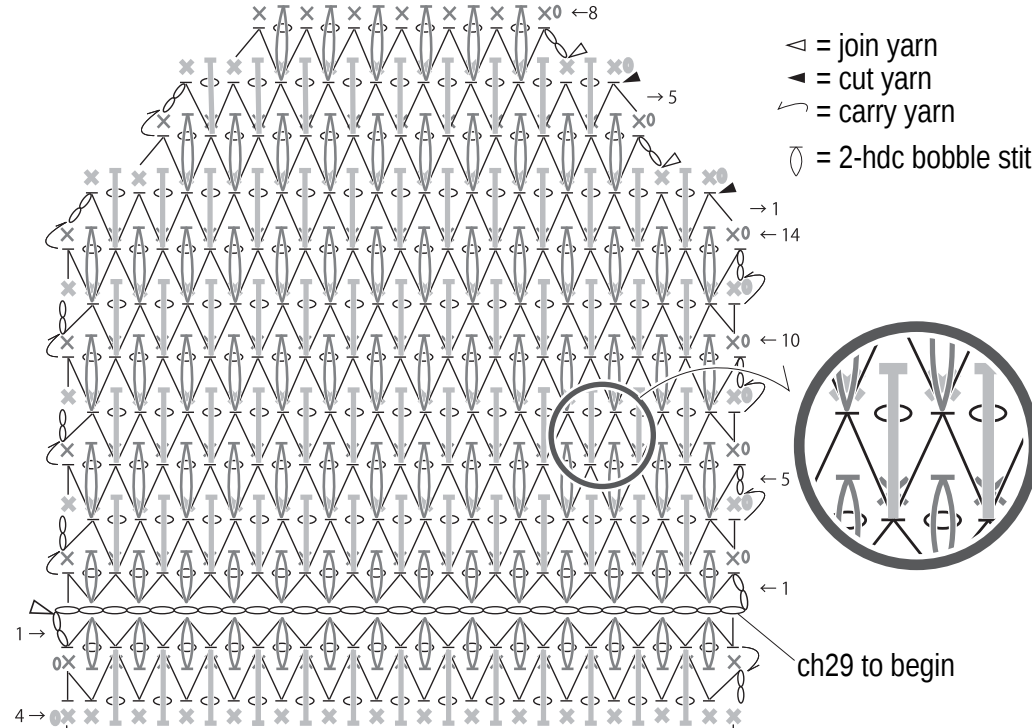


Pattern stitch

8.0mm hook *After each row in color #52 or #54, cut yarn (do not carry). Carry color #51 every other row (do not cut).

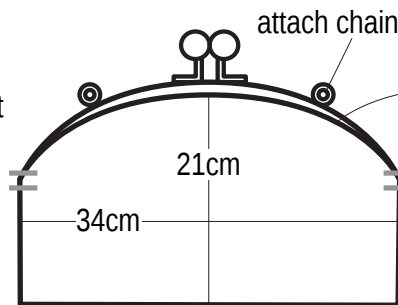
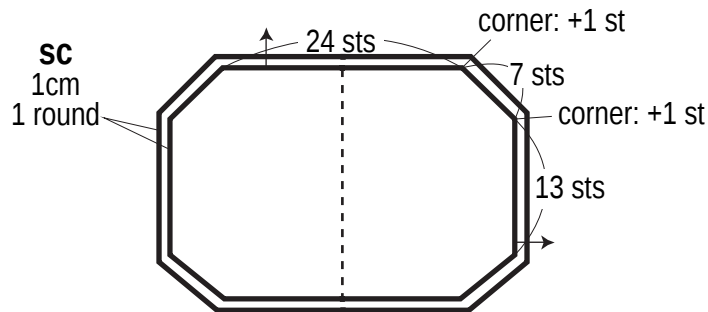
— = color #51 ivory
 — = color #54 dark brown
 — = color #52 greige

◁ = join yarn
 ▲ = cut yarn
 ↶ = carry yarn
 ⊖ = 2-hdc bobble stitch



*For other side, work sts into bottom of foundation chain, then work as for first side.

Finishing 8.0mm hook



Seam purse frame to sc edging using half blindstitch with sewing thread.

1 st unseamed

With right sides facing each other, whipstitch into half of each sc (12 sts total) with color #41.

Use QR code on smartphone to view a video tutorial about how to work the 2-hdc bobble stitch.



*To view on computer, search on the Pierrot Yarns website or YouTube channel instead.

検索