

217w-05 Basic Aran Sweater



Suggested yarn:

- Pierrot Yarns Basic Bulky [100% Wool - Merino; 49yds/45m per 1.41oz/40g skein]; color #7 Smoke Chinese Green, 16 skeins [640g]

Tools/Notions:

- 6.3mm (approx. US 10.5), 6.6mm (approx. US 10.5), and 7.0mm (no US equivalent) knitting needles or sizes necessary to achieve gauge
- cable needle

Finished measurements:

- bust 94cm/37.01"
- center back neck-to-cuff 72.5cm/28.54"
- back length 46cm/18.11"

Gauge (10cm/4" square):

- pattern stitch A & B: 16 sts and 20 rows
- reverse stockinette stitch: 18.5 sts and 20 rows
- k2p2 ribbing: 16.5 sts and 20 rows

Gauge may vary according to individual knitting style. Change needle size if necessary to achieve gauge. Alternatively, rework pattern with your own gauge measurements.

Summary

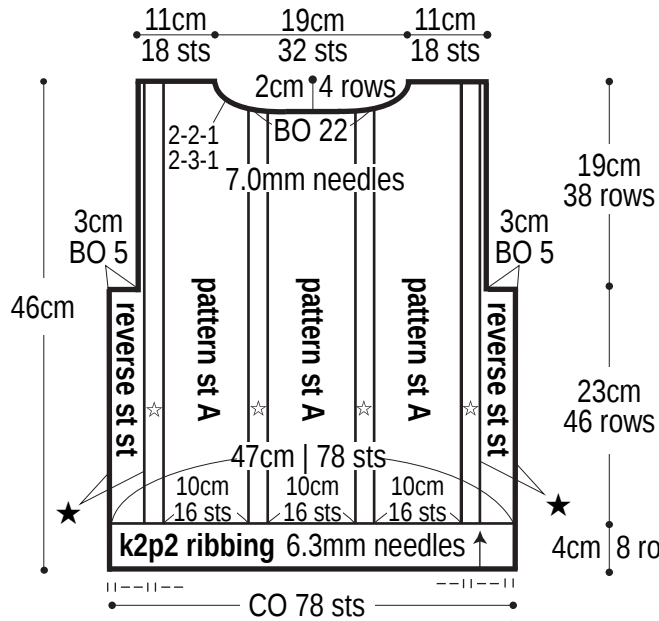
Body & sleeves: Cast on with long-tail cast-on method. Work in k2p2 ribbing, then continue in pattern stitches A & B and reverse stockinette stitch (see schematic for details).

Finishing: Seam shoulders with three-needle bind-off method. Seam sleeves to body with slip stitch seam. Pick up stitches around neckline; work collar in the round in k1p1 ribbing followed by st st. Bind off. Seam underarm gusset with stitches-to-rows mattress stitch. Seam sides and sleeve undersides with mattress stitch (one continuous seam per side of body).

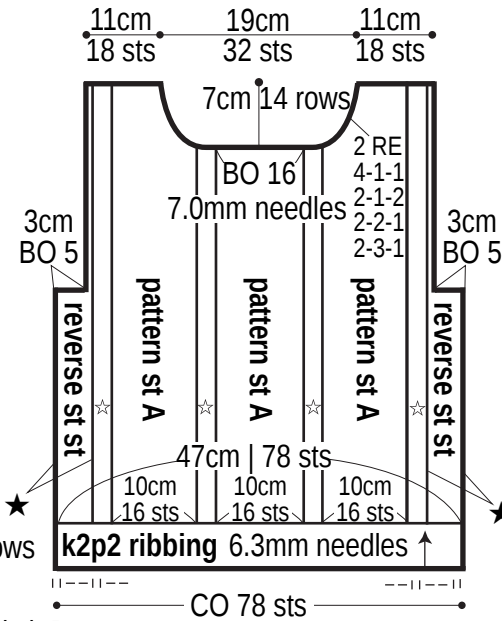
Abbreviations:

BO = bind off
CO = cast on
k = knit
p = purl
PU = pick up
RE = row(s) even
st st = stockinette stitch
#-#-# = rows-stitches-times

Back

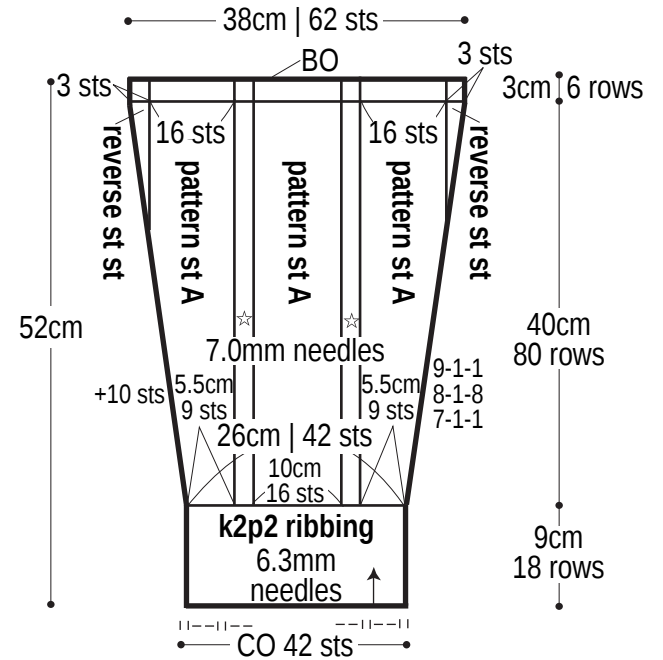


Front

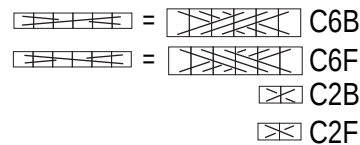
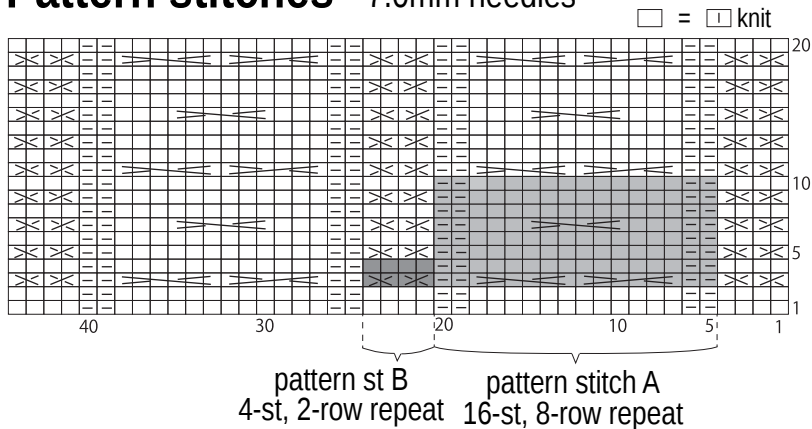


☆ = pattern stitch B
2.5cm | 4 sts
★ = 3.5cm | 7 sts

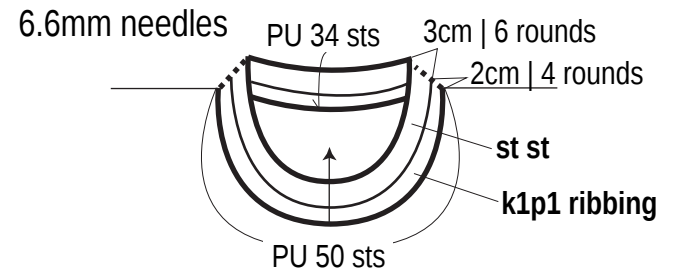
Sleeve



Pattern stitches 7.0mm needles



Collar



Sleeve 7.0mm needles

