

# 217aw-24 Scandinavian Ornaments



## Suggested yarn:

※NOTE: Please see pattern pages for specific quantities needed per ornament.

- Pierrot Yarns Fine Merino [100% merino; 103 yds/94m per 1.06 oz./30g skein];
  - color #201 Off-White, 1 skein [10g]
  - color #202 Wisteria, 1 skein [10g]
  - color #205 Deep Navy, 1 skein [10g]
  - color #214 Crimson, 1 skein [10g]
  - color #207 Forest Green, 1 skein [5g]
  - color #212 Old Rose, 1 skein [5g]
  - color #217 Light Almond Green, 1 skein [5g]
  - color #224 Olive Green, 1 skein [5g]
- Pierrot Yarns Whips [58% acrylic, 30% nylon, 12% wool; 175 yds/160m per 1.41 oz./40g skein];
  - color #01 Whips, 1 skein [15g]
  - color #05 Maple Cookie, 1 skein [5g]
  - color #06 Low Gray, 1 skein [10g]
  - color #09 Blueberry, 1 skein [5g]
- Pierrot Yarns Rabbits [43% mohair, 41% acrylic, 16% nylon; 63 yds/58m per 1.41 oz./40g skein]; color #02 Felice, 1 skein [5g]

## Tools/Notions:

- 4.2mm (approx. US 6) knitting needles or size necessary to achieve gauge
- 2.5mm (approx. US B or C), 4.0mm (US G) & 5.0mm (US H) crochet hooks or sizes necessary to achieve gauge
- polyfiber stuffing
- cord for hanging loops (1.5m/59.06" total for all ornaments)

## Finished measurements:

- Please see schematics.

*Gauge may vary according to individual knitting style. Change needle size if necessary to achieve gauge. Alternatively, rework pattern with your own gauge measurements.*

### Summary

**Ornament:** Cast on with long-tail cast-on method. Knit according to chart in pattern stitch. Increase and decrease as shown, using lifted increases and k2tog decreases. For crocheted sections, work in sc tbl or sc per chart. For each type of ornament, make 2 pieces (see charts & schematics).

**Finishing:** For each ornament, with wrong sides facing each other, seam the 2 pieces together with whipstitch, inserting stuffing as you go. Cut cord to required length, thread into ornament where indicated, and tie a knot to form a loop for hanging the ornament.

### Abbreviations:

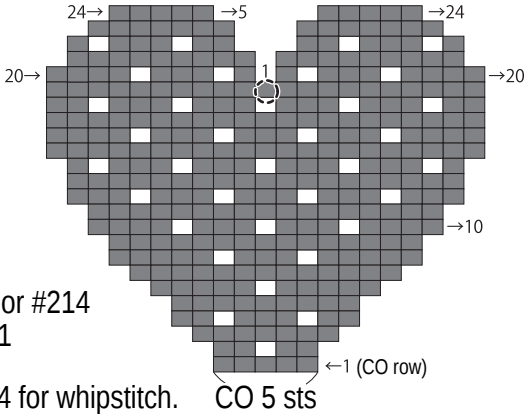
ch = chain st      CO = cast on      k2tog = knit 2 stitches together      RS = right side      sc = single crochet (US)      tbl = through back loop only

※For A-J: □ = □ knit  
 For each, BO on last row.  
 ○ = thread cord here  
 < = join yarn

### A: materials

5g Fine Merino, color #214  
 1g Whips, color #01  
 4.2mm needles  
 0.5-1.5g polyfiber stuffing  
 14cm length of cord

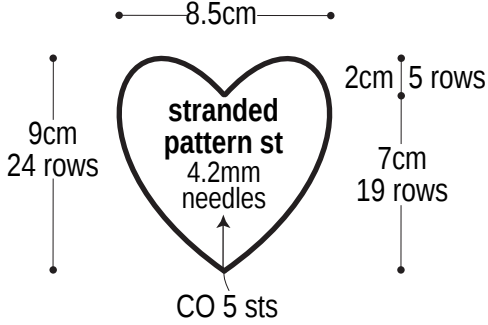
### A: chart 4.2mm needles



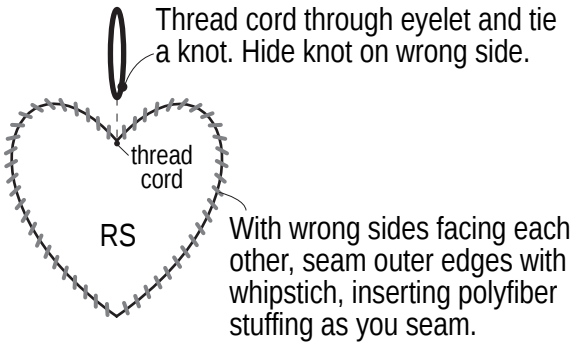
■ = Fine Merino, color #214  
 □ = Whips, color #01

Use Fine Merino #214 for whipstitch.

### A & B make 2 for each



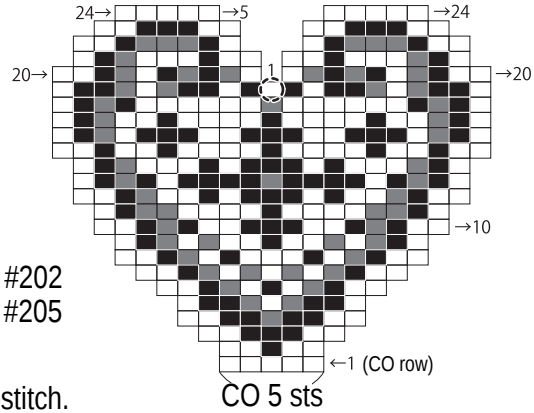
### A-J: Finishing



### B: materials

1.5g Fine Merino, color #202  
 2g Fine Merino, color #205  
 2.5g Whips, color #01  
 4.2mm needles  
 0.5-1.5g polyfiber stuffing  
 14cm length of cord

### B: chart 4.2mm needles

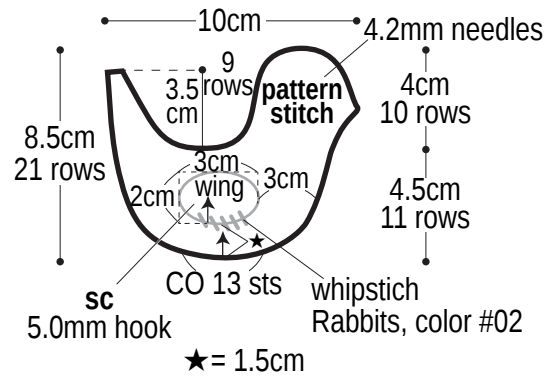


■ = Fine Merino, color #202  
 ■ = Fine Merino, color #205  
 □ = Whips, color #01

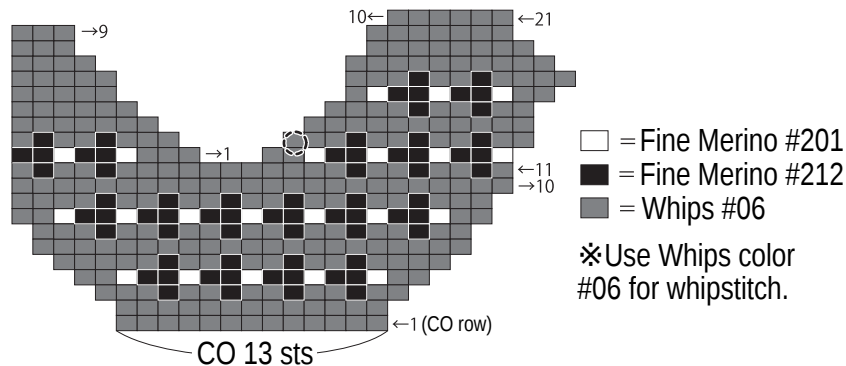
Use Whips #01 for whipstitch.

## C & D make 2 for each

※Make second as reverse of first.



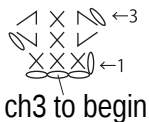
## C: chart 4.2mm needles



## C & D: Wing

make 2 for each

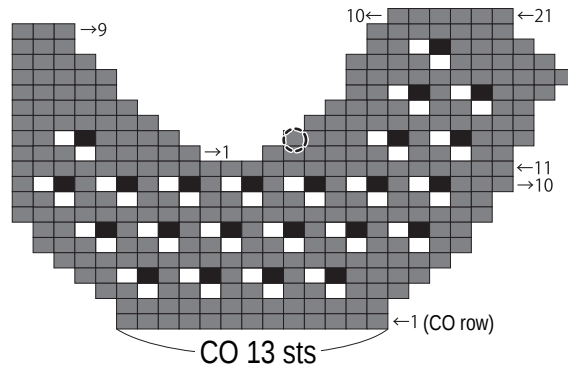
5.0mm hook, Rabbits, color #02



- = Fine Merino #201
- = Fine Merino #205
- = Whips #09

※Use Whips color #09 for whipstitch.

## D: chart 4.2mm needles



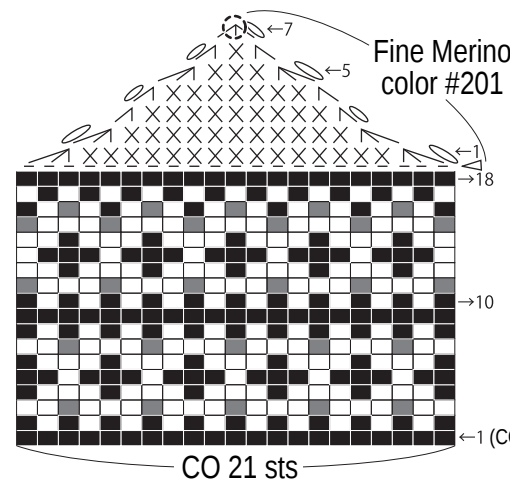
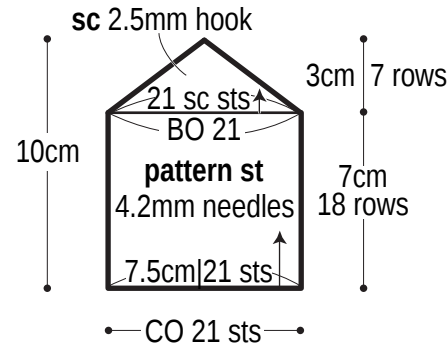
## C: materials

scraps of Fine Merino, color #201  
2g Fine Merino, color #212  
3g Whips, color #06  
2g Rabbits, color #02  
4.2mm needles & 5.0mm hook  
0.5-1.5g polyfiber stuffing  
16cm length of cord

## D: materials

scraps of Fine Merino, color #205  
1g Fine Merino, color #201  
4g Whips, color #09  
2g Rabbits, color #02  
4.2mm needles & 5.0mm hook  
0.5-1.5g polyfiber stuffing  
16cm length of cord

## E & F make 2 for each

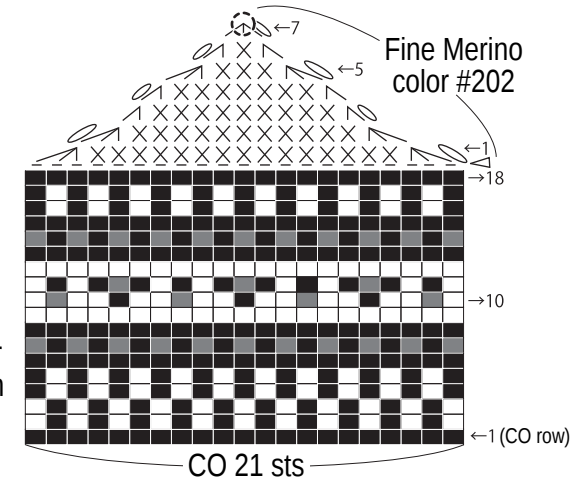


## F: chart

4.2mm needles  
2.5mm hook

- = Fine Merino #205
- = Fine Merino #217
- = Whips #01

※Use Fine Merino #205 for whipstitching knitted section & #202 for crochet section.



## E: materials

2.5 Fine Merino, color #201  
3.5 Fine Merino, color #214  
2.5g Whips, color #01  
1g Whips, color #06  
4.2mm needles & 2.5mm hook  
0.5-1.5g polyfiber stuffing  
10cm length of cord

## F: materials

3g Fine Merino, color #202  
4.5g Fine Merino, color #205  
1g Fine Merino, color #217  
1.5g Whips, color #01  
4.2mm needles & 2.5mm hook  
0.5-1.5g polyfiber stuffing  
10cm length of cord

## E: chart

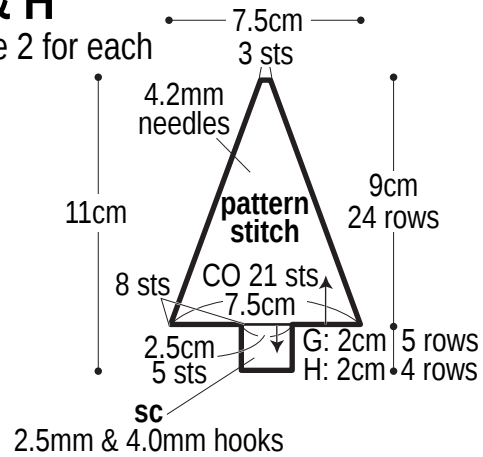
4.2mm needles  
2.5mm hook

- = Fine Merino #214
- = Whips #01
- = Whips #06

※Use Fine Merino #214 for whipstitching knitted section & #201 for crochet section.

## G & H

make 2 for each



## G: materials

3.5g Fine Merino, color #207  
 1g Fine Merino, color #214  
 1.5g Whips, color #01  
 4.2mm needles & 2.5mm hook  
 0.5-1.5g polyfiber stuffing  
 10cm length of cord

## H: materials

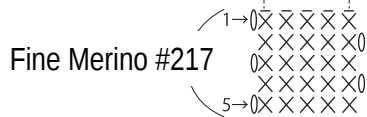
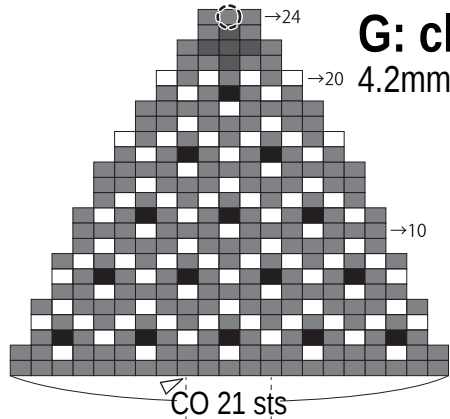
4g Fine Merino, color #224  
 1g Whips, color #01  
 2g Whips, color #05  
 4.2mm needles & 4.0mm hook  
 0.5-1.5g polyfiber stuffing  
 10cm length of cord

## G: chart

4.2mm needles & 2.5mm hook

- = Fine Merino #207
- = Fine Merino #214
- = Fine Merino #217
- = Whips #01

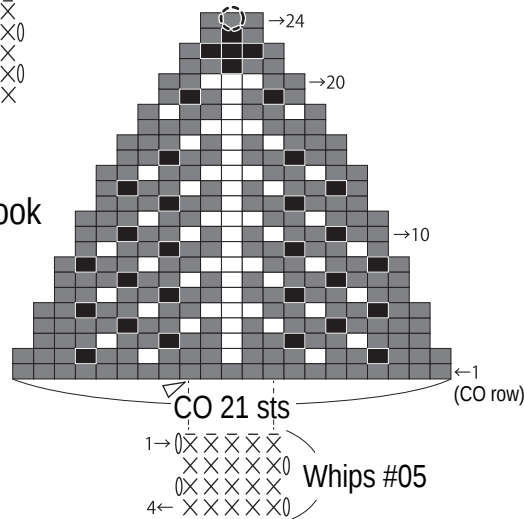
※Use Fine Merino #207 for whipstitching knitted section & #217 for crochet section.



## H: chart

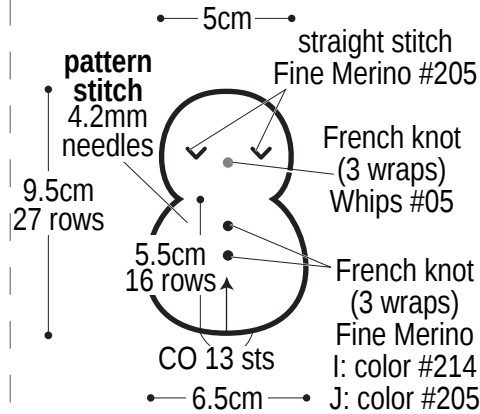
4.2mm needles & 4.0mm hook

- =
- =
- =



## I & J

make 2 for each



## I: materials

scraps Fine Merino, colors #205 & 214  
 5 Fine Merino, color #201  
 scraps of Whips, color #05  
 1.5g Whips, color #06  
 4.2mm needles  
 0.5-1.5g polyfiber stuffing  
 10cm length of cord

## J: materials

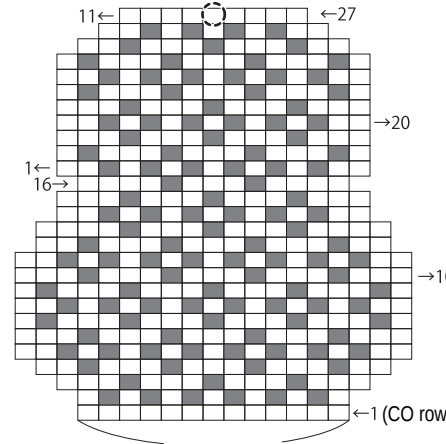
2g Fine Merino, color #202  
 scraps of Fine Merino, color #205  
 3g Whips, color #01  
 scraps of Whips, colors #05 & 06  
 4.2mm needles  
 0.5-1.5g polyfiber stuffing  
 10cm length of cord

## I: chart

4.2mm needles

- = Fine Merino #201
- = Whips #06

※Use Fine Merino color #201 for whipstitch.



## J: chart

4.2mm needles

- = Fine Merino #202
- = Whips #01
- = Whips #06

※Use Whips color #01 for whipstitch.

