

fg756mb Striped Marché Bag



Suggested yarn:

- Pierrot Yarns Basic Cotton [100% cotton; 60 yds/55m per 1.06 oz./30g skein];
 - color #5 Biscuit, 6 skeins [165g]
 - color #6 Bitter Chocolate, 4 skeins [100g]

Tools/Notions:

- 3.0mm (approx. US C or D) crochet hook or size necessary to achieve gauge

Finished measurements:

- height 35.5cm/13.98"
- width 31cm/12.20"
- depth 9cm/3.54"

Gauge (10cm/4" square):

- pattern stitch: 20.5 sts and 12 rows

Gauge may vary according to individual crochet style. Change hook size if necessary to achieve gauge. Alternatively, rework pattern with your own gauge measurements.

Summary

❖**Note:** Like all Japanese patterns, stitch counts given here for foundation chains do not include any chain sts needed for turning posts.

Body of bag (make 2): Work foundation chain to begin. Work in pattern stitch.

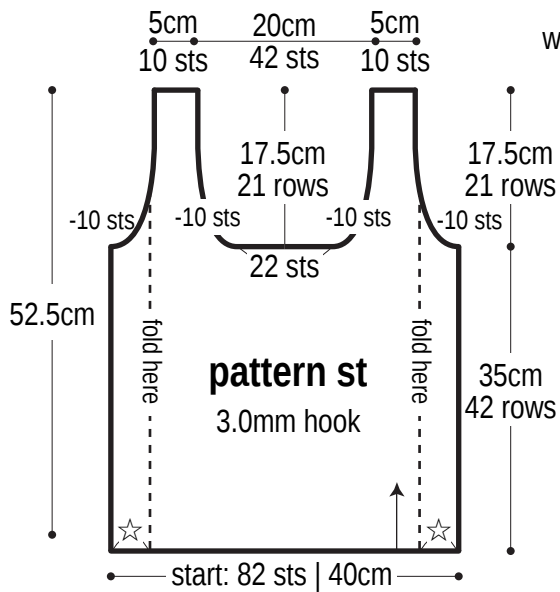
Finishing: Use color #6 for all finishing work. Seam sides with chain seam (alternating chain st and slip st as needed to maintain pattern). Fold sides to inside where indicated and seam to bottom with whipstitch. Work 1 round of sc edging around edges of handles.

Abbreviations:

ch = chain

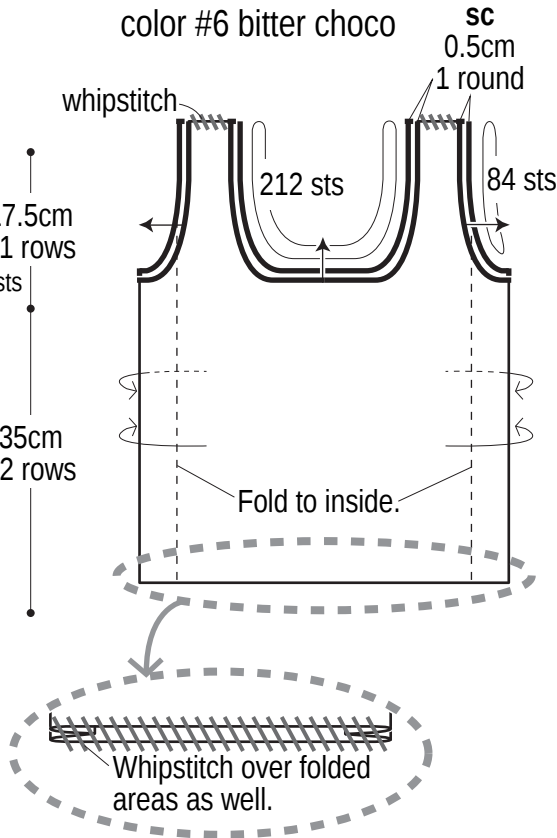
sc = single crochet (US)

Body of bag (make 2)



Finishing

3.0mm hook
color #6 bitter choco



Finished item

