

1224poche Pouch



Suggested yarn:

- Pierrot Yarns Fantastic Magie [45% wool, 30% nylon, 25% silk; 77 yds/70m per 1.06 oz./30g skein];
 - color #01 Ivory, 1 skein [15g]
 - color #10 Charcoal, 2 skeins [33g]

Tools/Notions:

- 3.0mm (approx. US C or D) crochet hook or size necessary to achieve gauge
- zipper (18cm/7.09")
- darning needle

Finished measurements:

- pouch opening circumference 38cm/14.96"
- height 13cm/5.12"
- gusset 6cm/2.36"

Gauge (10cm/4" square):

- pattern stitch B: 20.5 sts and 17.5 rows

Gauge may vary according to individual crochet style. Change hook size if necessary to achieve gauge. Alternatively, rework pattern with your own gauge measurements.

Summary

❖**Note:** Like all Japanese patterns, stitch counts given here for foundation chains do not include any chain sts needed for turning posts.

Bottom: Work foundation chain to begin. Work sc in the round (note that first round will be worked along either side of chain), increasing as indicated.

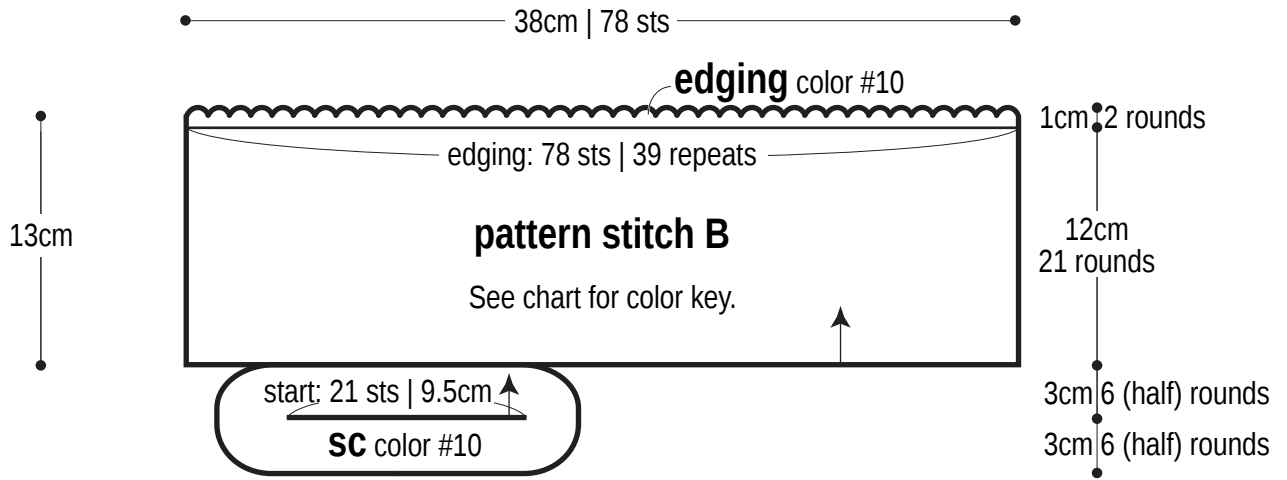
Sides: Continuing from bottom, work 1 round in sc tbl, then continue in pattern stitch B.

Finishing: Work 2 rounds of edging. Sew zipper into mouth of pouch using half blindstitch.

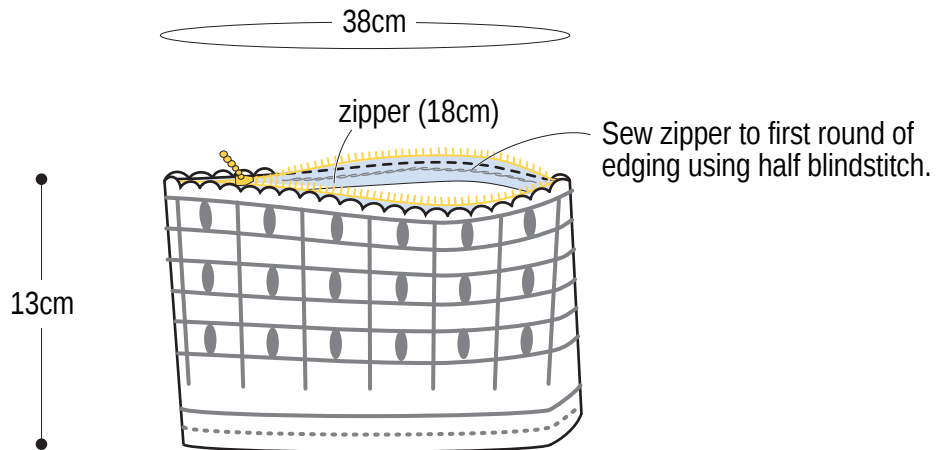
Abbreviations:

ch = chain
dc = double crochet (US)
fp = front post
hdc = half double crochet (US)
sc = single crochet (US)
tbl = through back loop only

Pouch 3.0mm hook



Finished pouch



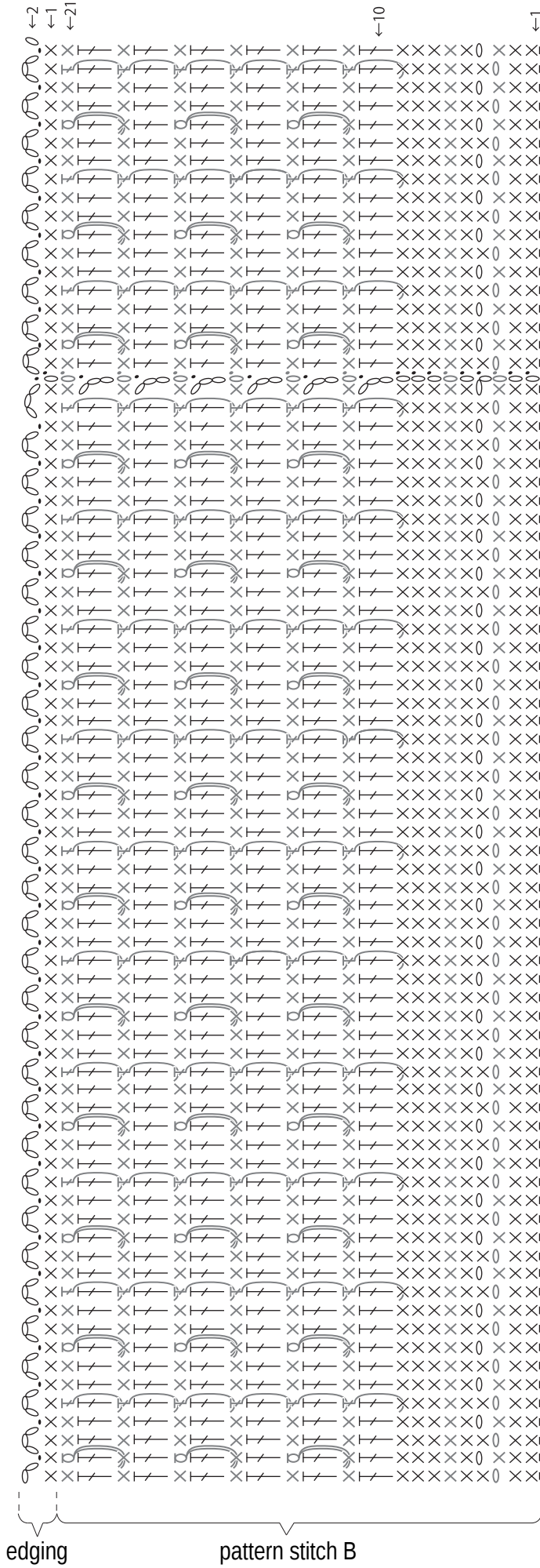
Pouch 3.0mm hook

= fp hdc cluster st (work fp twice)

= fp dc

= color #01 = color #10

sides



Bottom increases

round no.	stitch count
6	78 (+4 sts)
5	74 (+8 sts)
4	66 (+4 sts)
3	62 (+8 sts)
2	54 (+4 sts)
1	50

ch21 to begin

78 sts

bottom

ch21 to begin

