

tricot11-3 Diamond Bag



Suggested yarn:

- Keito-Zakka Stores Cotton Story [100% cotton; 115 yds/105m per 3.53 oz./100g hank];
 - color #1 white, 2 hanks [155g]
 - color #2 mustard, 1 hank [75g]
 - color #11 saxe blue, 2 hanks [170g]

Tools/Notions:

- 4.0mm (US G) crochet hook or size necessary to achieve gauge
- non-stretchy material for straps (2.5cm/0.98" wide, 1.4m/55.12" long)

Finished measurements:

- bottom radius 12.5cm/4.92"
- height 25.5cm/10.04"
- circumference 78cm/30.71"

Gauge (10cm/4" square):

- stranded pattern stitch (double crochet US): 16.5 sts and 8.5 rounds

Gauge may vary according to individual crochet style. Change hook size if necessary to achieve gauge. Alternatively, rework pattern with your own gauge measurements.

Summary

❖**Note:** Like all Japanese patterns, stitch counts given here for foundation chains do not include any chain sts needed for turning posts.

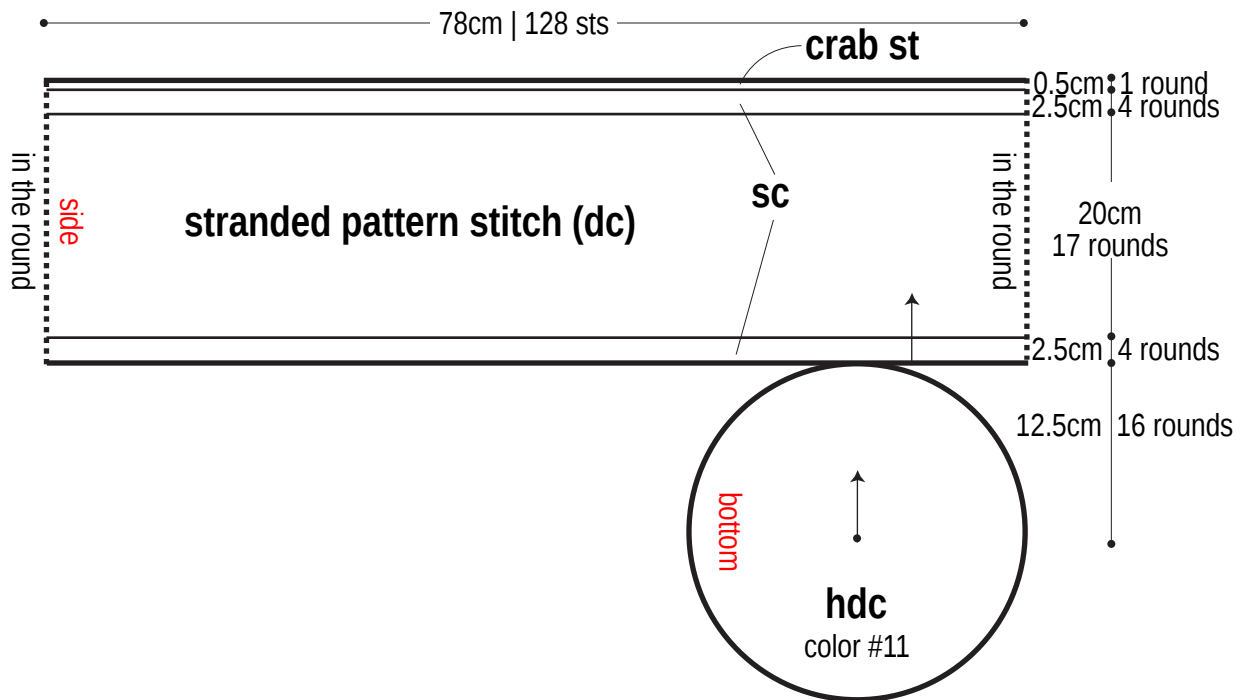
Body of bag: Work magic ring to begin, then work bottom in hdc, increasing according to chart. Continue from bottom to sides by working 1 round of sc tbl. Work stranded pattern stitch in the round (using the tapestry crochet technique such that the color you are not using is covered up by the color you are using).

Finishing: Fasten straps to body of bag.

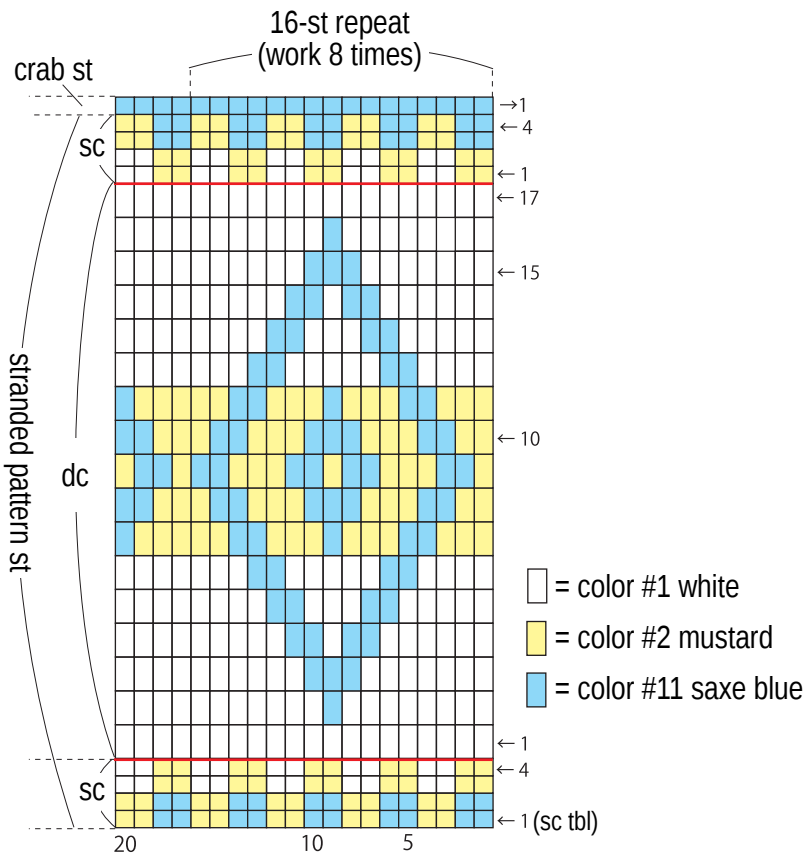
Abbreviations:

ch = chain
dc = double crochet (US)
hdc = half double crochet (US)
m = magic ring/circle
sc = single crochet (US)
sc tbl = single crochet (US) through back loop only

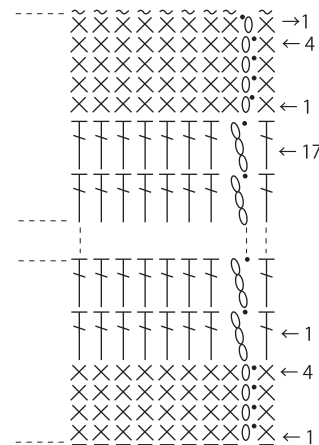
Body of bag 4.0mm hook



Colorwork 4.0mm hook

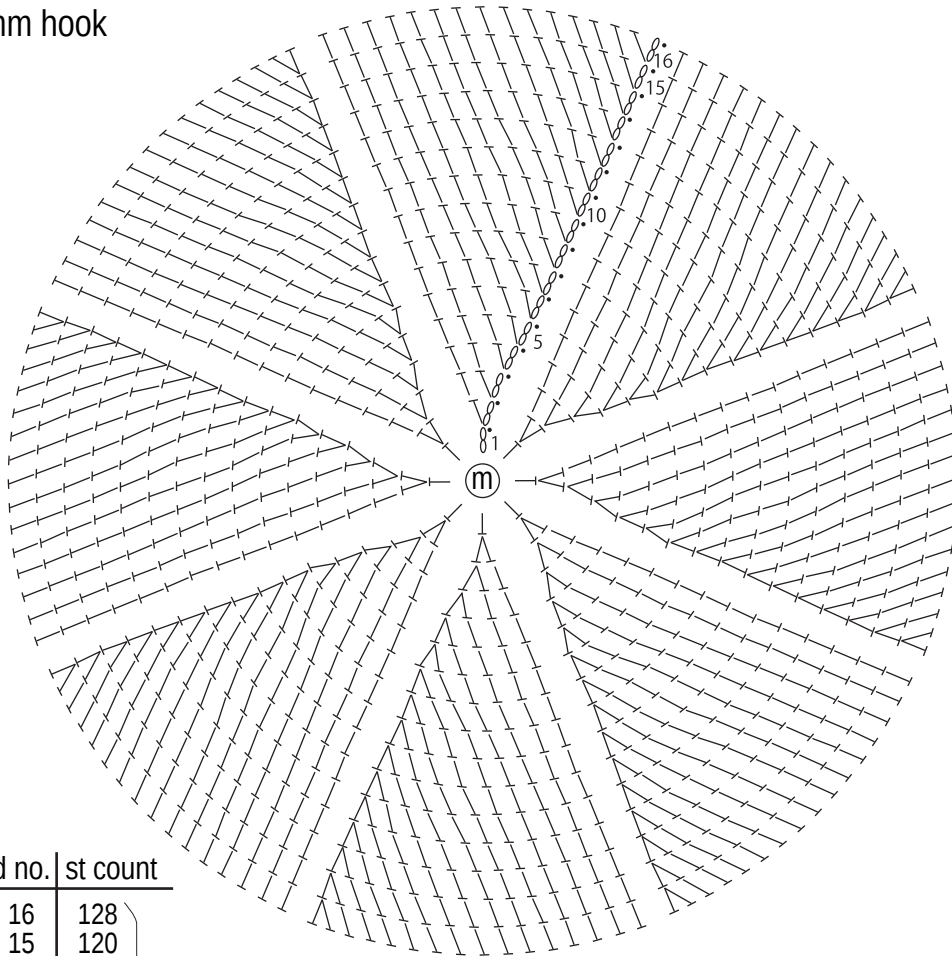


Pattern stitch 4.0mm hook



Bottom chart

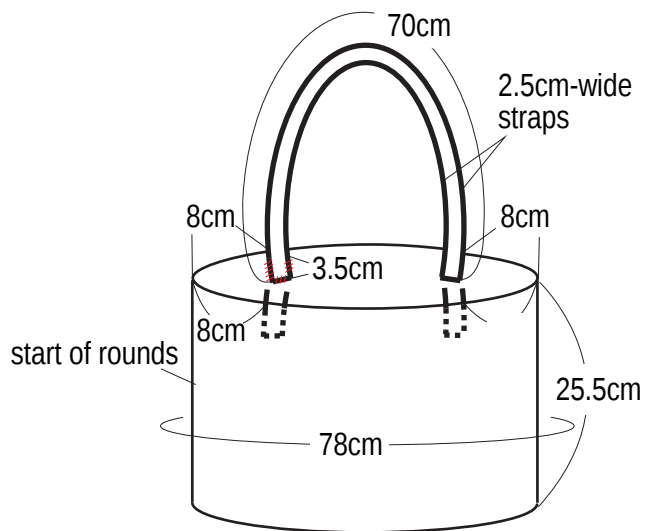
4.0mm hook



round no.	st count
16	128
15	120
14	112
13	104
12	96
11	88
10	80
9	72
8	64
7	56
6	48
5	40
4	32
3	24
2	16
1	8 (into magic ring)

+8 sts per round

Finishing



Seam straps to wrong side of bag sides. Note that there are 2 straps, but finishing schematic abbreviates 2 of them for clarity.

Use QR code on smartphone to view a video tutorial about how to work stranded crochet (tapestry crochet.)



※To view on computer, search on the Pierrot Yarns website or YouTube channel instead.

