

# 217s-02 2-way Natural Knit



## Suggested yarn:

- Pierrot Yarns Tours [100% linen; 115 yds/105m per 1.06 oz./30g skein];
  - color #02 natural beige, 5 skeins [135g]
  - color #03 vanilla, 5 skeins [135g]

## Tools/Notions:

- 3.3mm (approx. US 4) and 3.9mm (approx. US 6) knitting needles or sizes necessary to achieve gauge
- 4 buttons (18mm/0.71")

## Finished measurements:

- bust 89.5cm/35.24"
- cross back width 33cm/12.99"
- back length 50cm/19.69"
- sleeve length 13cm/5.12"

## Gauge (10cm/4" square):

- pattern stitch A: 21 sts and 30 rows
- pattern stitch B: 21 sts and 26 rows

Gauge may vary according to individual knitting style. Change needle size if necessary to achieve gauge. Alternatively, rework pattern with your own gauge measurements.

## Summary

✳️**Note:** Entire garment worked with 2 strands of yarn held together (1 strand of color #02 and 1 strand of color #03).

**Body (back, right front, left front):** Cast on with long-tail cast-on method. Work in k2p2 ribbing, then pattern stitch A.

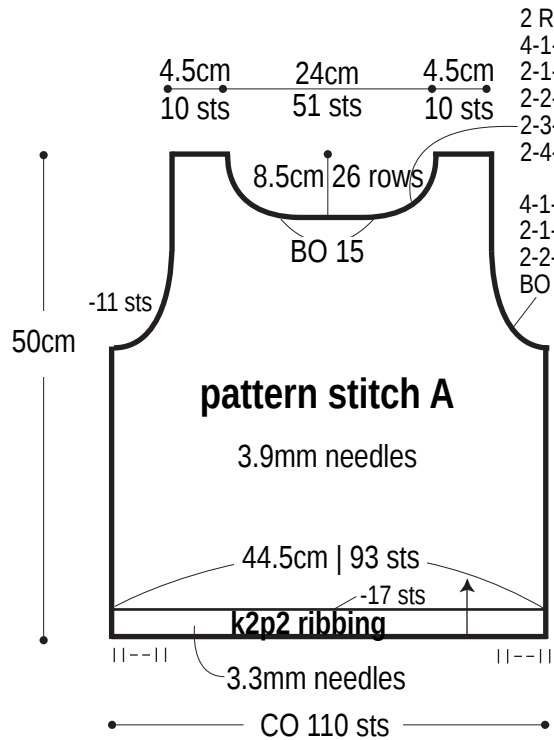
**Sleeve (make 2):** Cast on with long-tail cast-on method. Work in pattern stitch B, then pattern stitch A.

**Finishing:** Seam shoulders with crochet slip stitch seam. Seam sides with mattress stitch. Pick up stitches around neckline; work edging in k2p2 ribbing. Bind off in pattern. Work front band, being sure to work buttonholes in right front only. Bind off in pattern. Seam underarm with mattress stitch. Seam sleeve to body with crochet slip stitch seam.

## Abbreviations:

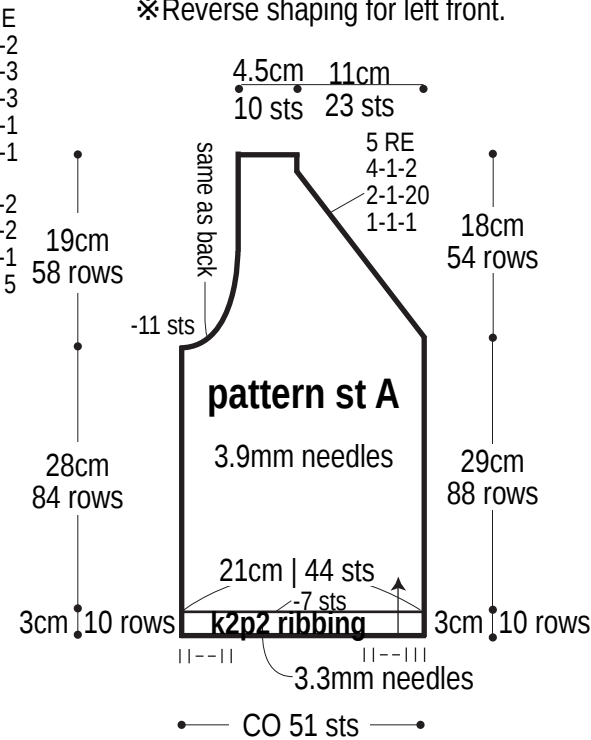
BO = bind off    CO = cast on    k = knit    p = purl    PU = pick up    RE = row(s) even    #-#-# = rows-stitches-times

# Back



# Right front

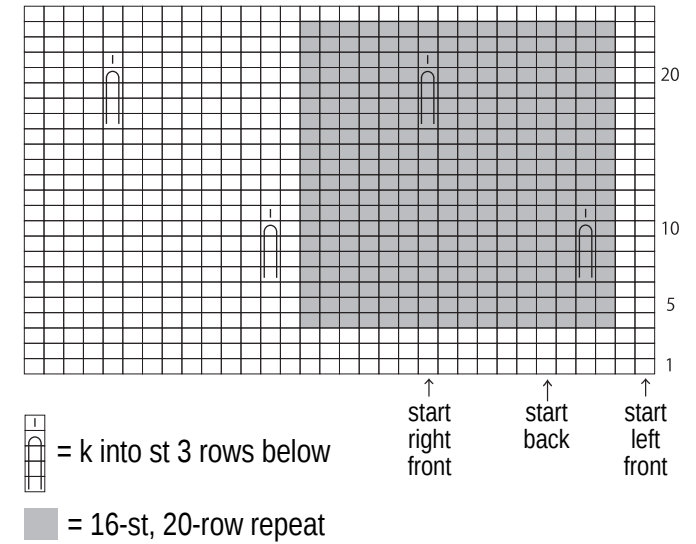
\*Reverse shaping for left front.



# Pattern stitch A

3.9mm needles

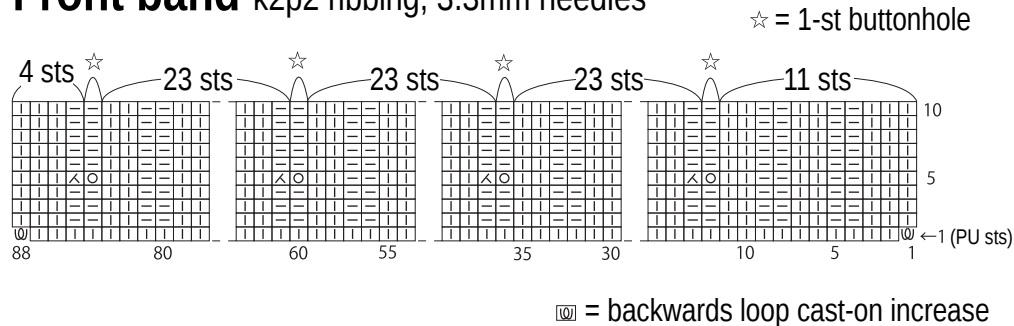
☐ = [ ] purl



☐ = k into st 3 rows below

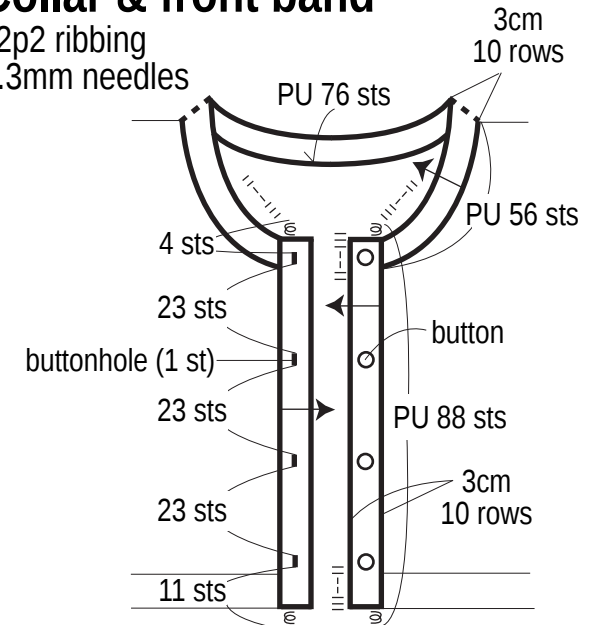
■ = 16-st, 20-row repeat

# Front band k2p2 ribbing, 3.3mm needles



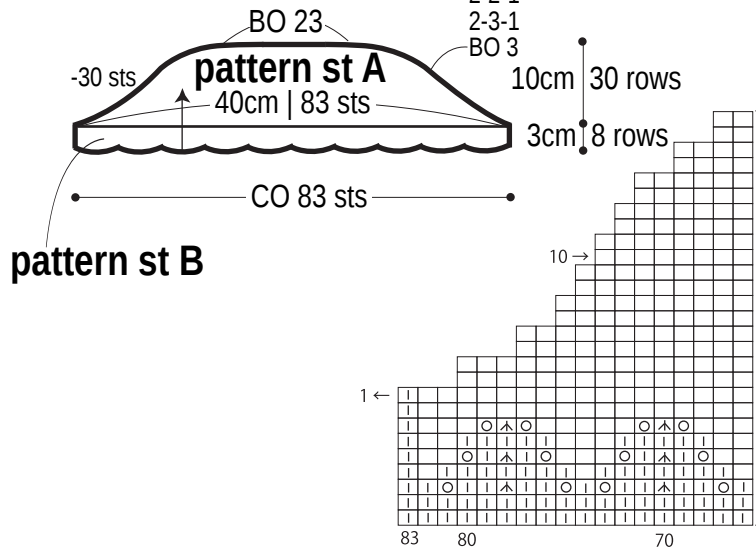
# Collar & front band

k2p2 ribbing  
3.3mm needles



# Sleeve 3.9mm needles

- 2 RE
- 2-4-1
- 2-2-7
- 2-1-4
- 2-2-1
- 2-3-1
- BO 3



# Sleeve 3.9mm needles

