

tricot10-4 Crew-neck Vest



Suggested yarn:

- Keito-Zakka Stores Fuwafuwa Bagel [85% acrylic, 15% wool; 49 yds/45m per 1.41 oz./40g skein];
 - color #02 brown, 6 skeins [240g]

Tools/Notions:

- 3.9mm (approx. US 6) knitting needles or size necessary to achieve gauge
- 4 buttons (15mm/0.59")

Finished measurements:

- bust 98cm/38.58"
- cross back width 36cm/14.17"
- back length 52cm/20.47"

Gauge (10cm/4" square):

- stockinette stitch: 11 sts and 17 rows

Gauge may vary according to individual knitting style. Change needle size if necessary to achieve gauge. Alternatively, rework pattern with your own gauge measurements.

Summary

Body: Cast on with long-tail cast-on method. Work in stockinette stitch. Shape armscye by working fully fashioned decreases 8 stitches in from the edge. Shape shoulders according to charts.

Finishing: Seam shoulders and sides with mattress stitch. Pick up stitches around neckline; work collar in k1p1 ribbing in the round. Bind off in pattern.

Abbreviations:

BO = bind off

CO = cast on

k = knit

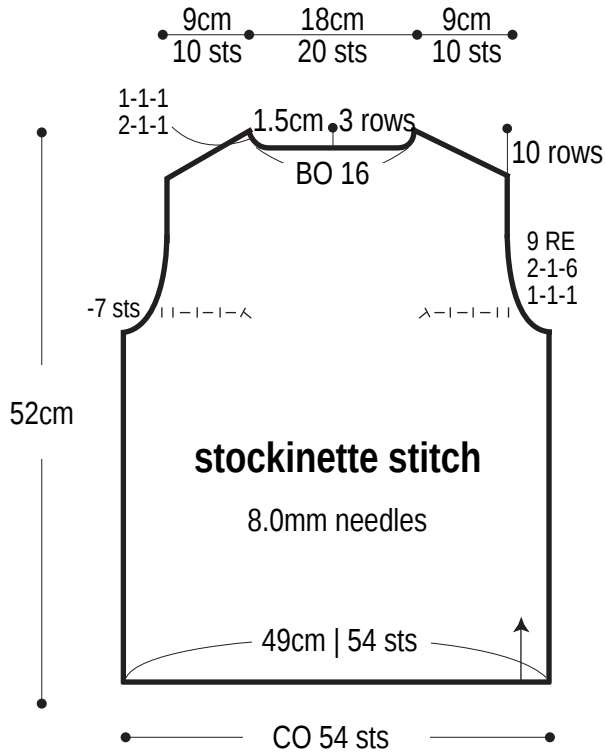
p = purl

PU = pick up

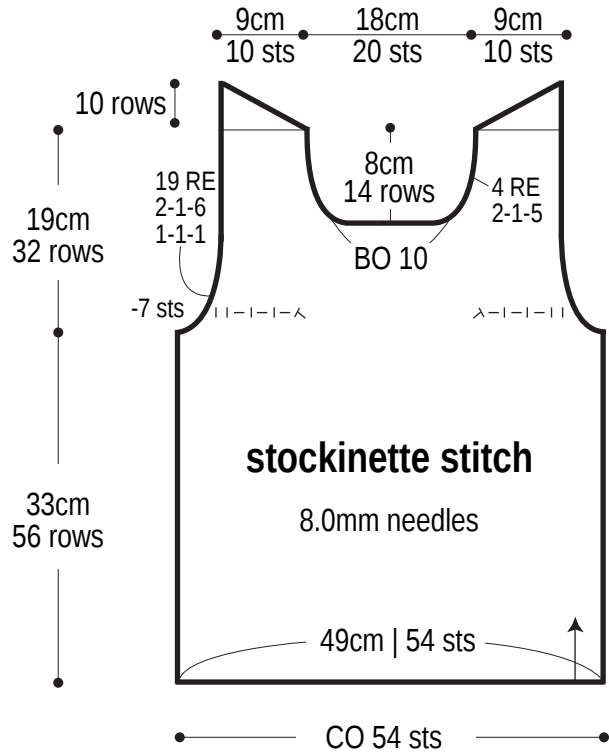
RE = row(s) even

##-## = rows-stitches-times

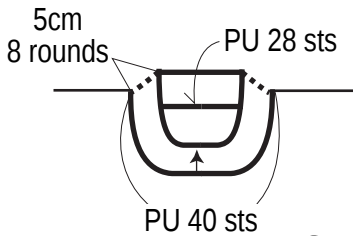
Back



Front



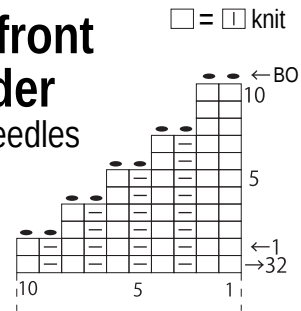
Collar



Collar 8.0mm needles

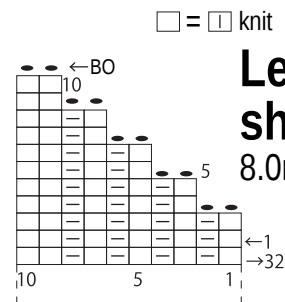
Right front shoulder

8.0mm needles



Left front shoulder

8.0mm needles



Back shoulder 8.0mm needles

