

# 217ss-06 Ladies' Jumper Skirt



## Suggested yarn:

- Pierrot Yarns Pochette [50% merino, 50% cotton; 131 yds/120m per 1.41 oz./40g skein];
  - small: color #09 violet, 11 skeins [440g]
  - large: color #09 violet, 13 skeins [495g]

## Tools/Notions:

- 3.3mm (approx. US 4) and 3.6mm (approx. US 5) knitting needles or sizes necessary to achieve gauge
- 2.5mm (approx. US B or C) crochet hook or size necessary to achieve gauge

## Finished measurements:

- |                                |                                  |
|--------------------------------|----------------------------------|
| • small:                       | • large:                         |
| • bust 92cm/36.22"             | • bust 99cm/38.98"               |
| • cross back width 34cm/13.39" | • cross back width 35.5cm/13.98" |
| • back length 102.5cm/40.35"   | • back length 105.5cm/41.54"     |

## Gauge (10cm/4" square):

- pattern stitch (with 3.3mm needles): 30 sts and 38 rows
- pattern stitch (with 3.6mm needles): 28 sts and 37 rows
- stockinette stitch (with 3.6mm needles): 24 sts and 32 rows

Gauge may vary according to individual knitting style. Change needle size if necessary to achieve gauge. Alternatively, rework pattern with your own gauge measurements.

## Summary

**Body:** Cast on with long-tail cast-on method. Work in pattern stitch, referring to schematics. Be sure to change needle size when indicated to alter gauge.

**Finishing:** Seam shoulders with crochet slip stitch seam. Seam sides with mattress stitch. Crochet sd edging around hem, armholes, and neckline in the round.

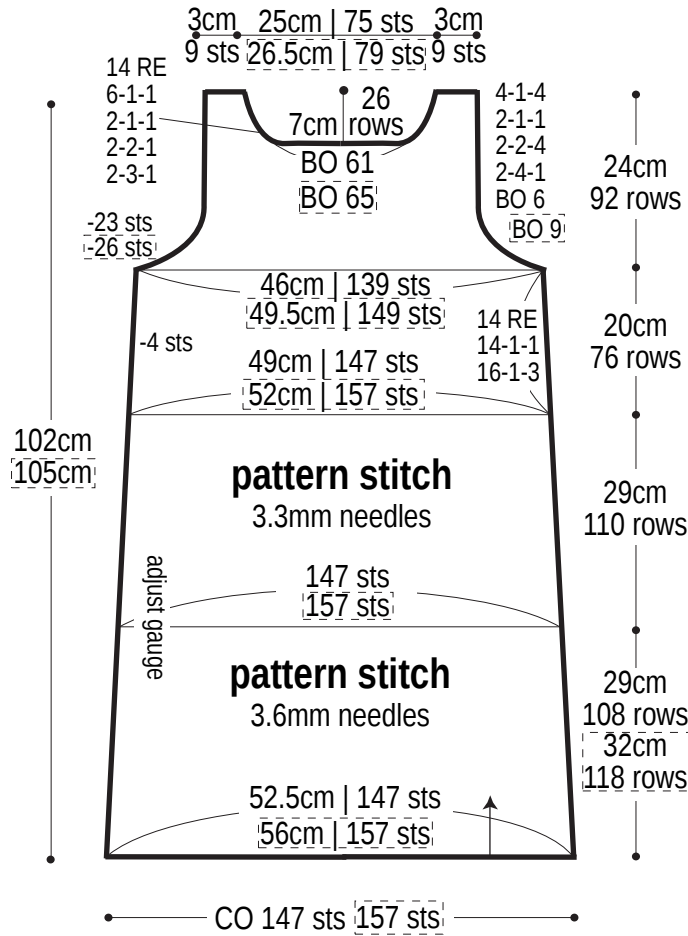
## Abbreviations:

BO = bind off    CO = cast on    RE = row(s) even    sc = single crochet (US)    #-#-# = rows-stitches-times

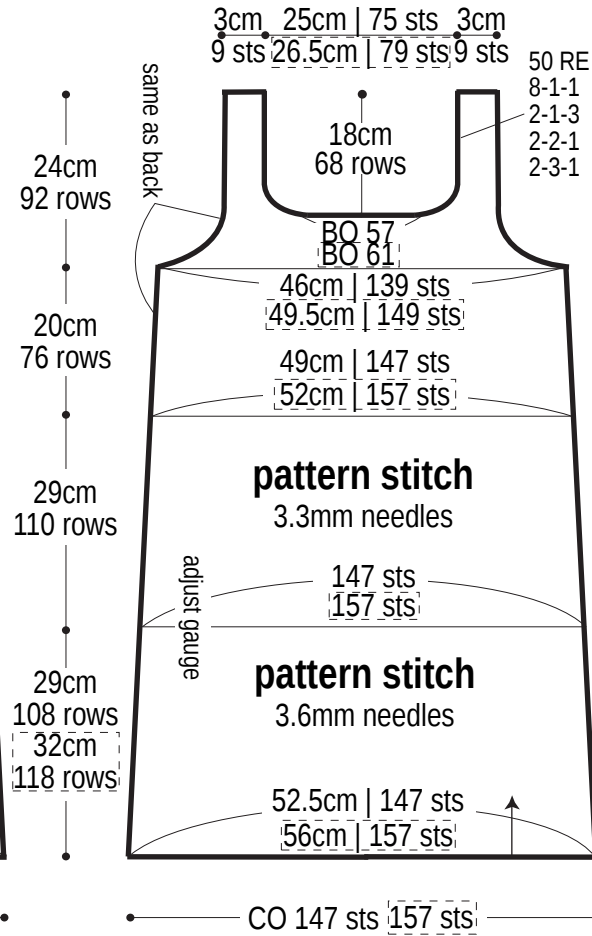
[ ] = large size

\*Measurements without outline refer to small or - where only one set of numbers if provided - both sizes.

### Back

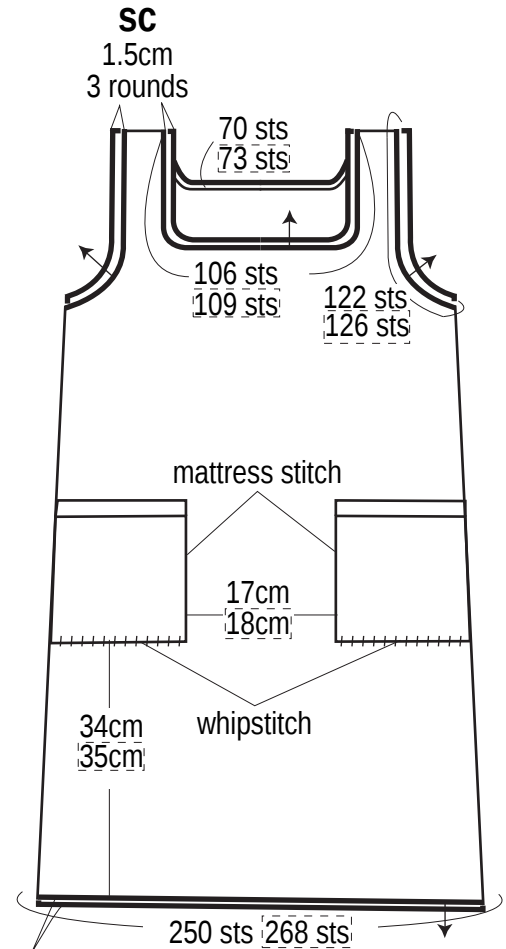


### Front



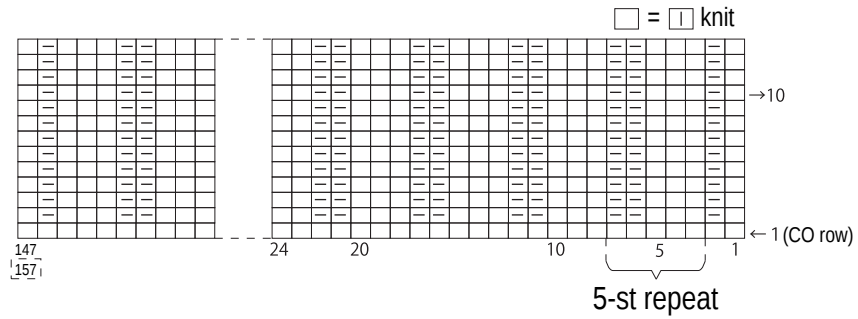
### Finishing

2.5mm hook



SC  
0.5cm  
1 round

## Pattern stitch 3.3 & 3.6mm needles



## Pocket make 2

