

g675pouch Fruit Pouch



Suggested yarn:

- Pierrot Yarns Cotton Neat [100% cotton; 58 yds/53m per 1.41 oz./40g skein];
 - watermelon:
 - color #601 ivory, 1 skein [8g]
 - color #610 red, 2 skeins [80g]
 - color #619 dark brown, 1 skein [10g]
 - color #634 green, 1 skein [30g]
 - grapefruit:
 - color #601 ivory, 1 skein [35g]
 - color #628 saffron yellow, 2 skeins [60g]

Tools/Notions:

- 3.0mm (approx. US C or D) crochet hook or size necessary to achieve gauge
- darning needle
- watermelon pouch: red zipper 20cm/7.87"
- grapefruit pouch: orange zipper 20cm/7.87"

Finished measurements:

- width 22cm/8.66"
- depth 14cm/5.51"
- gusset width 6cm/2.36"

Gauge (10cm/4" square):

- single crochet (US): 20.5 sts and 21.5 rows

Gauge may vary according to individual crochet style. Change hook size if necessary to achieve gauge. Alternatively, rework pattern with your own gauge measurements.

Summary

✳️**Note:** Like all Japanese patterns, stitch counts given here for foundation chains do not include any chain sts needed for turning posts.

Watermelon: Work foundation chain to begin, then work front piece while decreasing as indicated. Make back piece identical to front. Work foundation chain, then work gusset piece. Seam front and back pieces to gusset using single crochet (US) with wrong sides facing each other. Work 3 rows of edging along top (mouth) edge of front and back pieces, respectively.

Grapefruit: Make front, back, and gusset pieces as for watermelon pouch, but work colorwork for front and back pieces as indicated in grapefruit chart.

Finishing: Seam zipper to pouch.

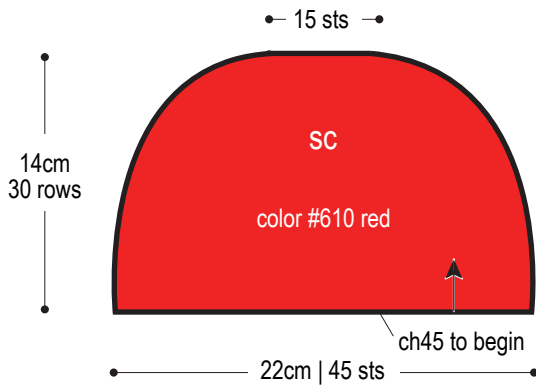
Abbreviations:

ch = chain

sc = single crochet (US)

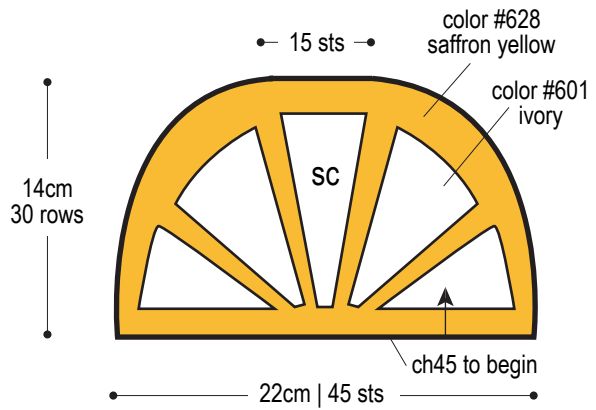
Watermelon (make 2)

3.0mm hook



Grapefruit (make 2)

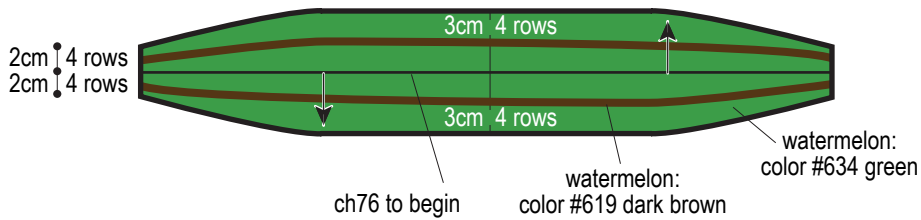
3.0mm hook



Gusset (make 1)

3.0mm hook

※For grapefruit pouch, work entire gusset in color #628 saffron yellow.



Front & back 3.0mm hook

※Chart is the same for both watermelon and grapefruit. For watermelon, ignore colors on chart; work entire watermelon front/back piece in red.

Watermelon (make 2)

× > color #610 red

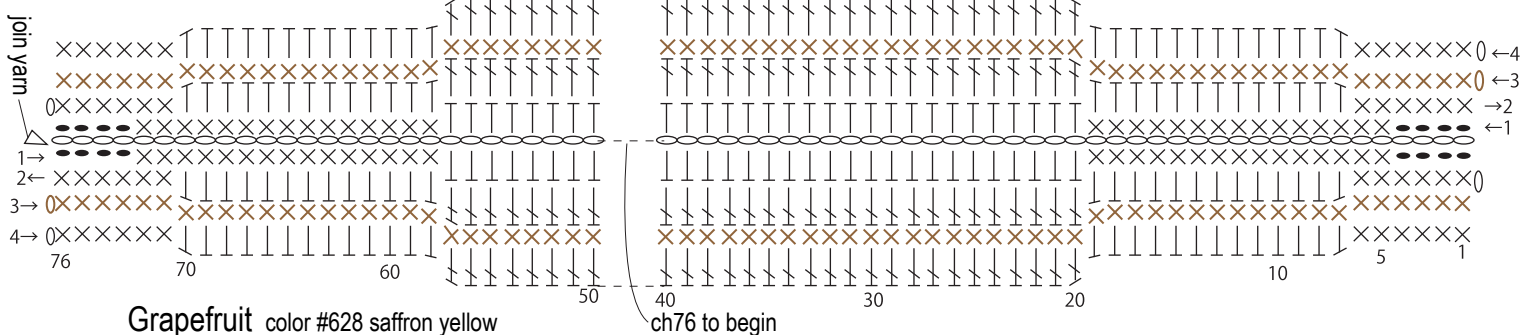
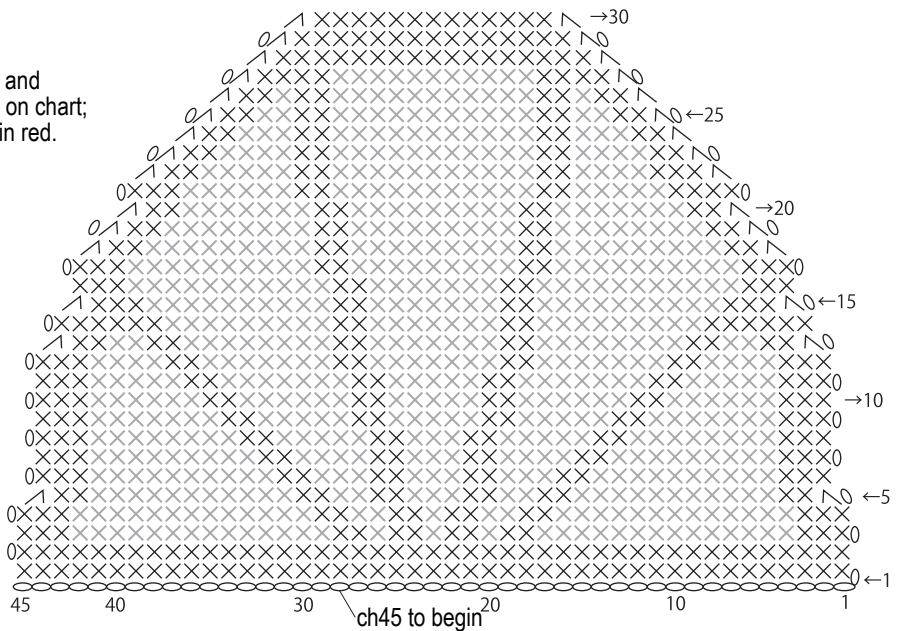
Grapefruit (make 2)

× = color #628 saffron yellow
 × = color #601 ivory

Gusset 3.0mm hook

Watermelon

× = color #634 green
 × = color #619 dark brown



Finishing

