

216ss-29 Paper Clutch



Suggested yarn:

- Pierrot Yarns Raffia [100% rayon; 124 yds/113m per 1.76 oz./50g skein];
 - version A: color #74 moss, 3 skeins [120g]
 - version B: color #84 green tea, 3 skeins [120g]

Tools/Notions:

- 3.0mm (approx. US C or D) crochet hook or size necessary to achieve gauge
- magnetic clasp (18mm/0.71" diameter)

Finished measurements:

- height 21.5cm/8.46"
- width 23cm/9.06"
- depth 7cm/2.76"

Gauge (10cm/4" square):

- pattern stitch: 18 sts and 15 rows/rounds

Gauge may vary according to individual crochet style. Change hook size if necessary to achieve gauge. Alternatively, rework pattern with your own gauge measurements.

Summary

❖**Note:** Like all Japanese patterns, stitch counts given here for foundation chains do not include any chain sts needed for turning posts.

Bottom: Work foundation chain to begin, then work pattern stitch back and forth in rows. Work 1 round of sc edging around outer edge of bottom piece. We recommend that you block the bottom piece to a rectangular shape before continuing to sides.

Sides: Continuing from sc edging around bottom edges, work 32 rounds in pattern stitch. Work remaining flap section back and forth in rows.

Finishing: Fasten magnetic clasp to bag where indicated.

Abbreviations:

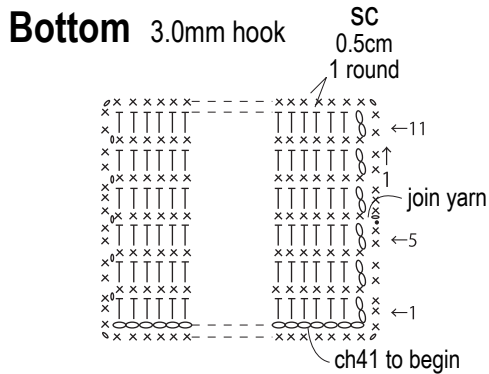
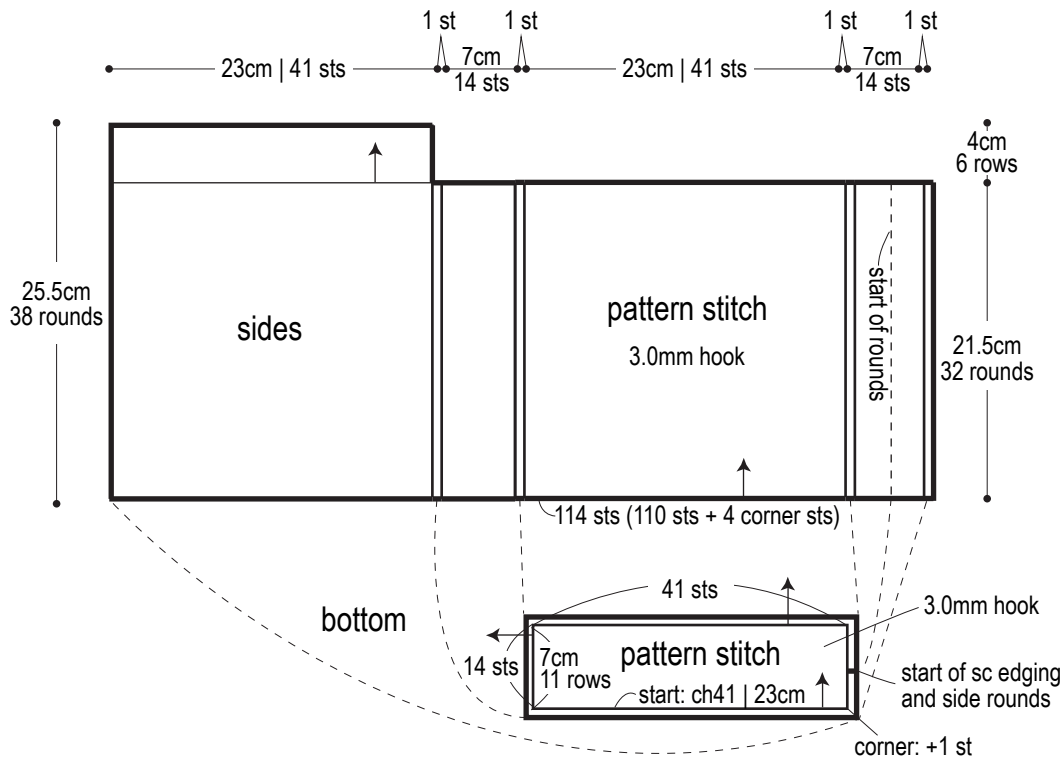
ch = chain

fp = front post

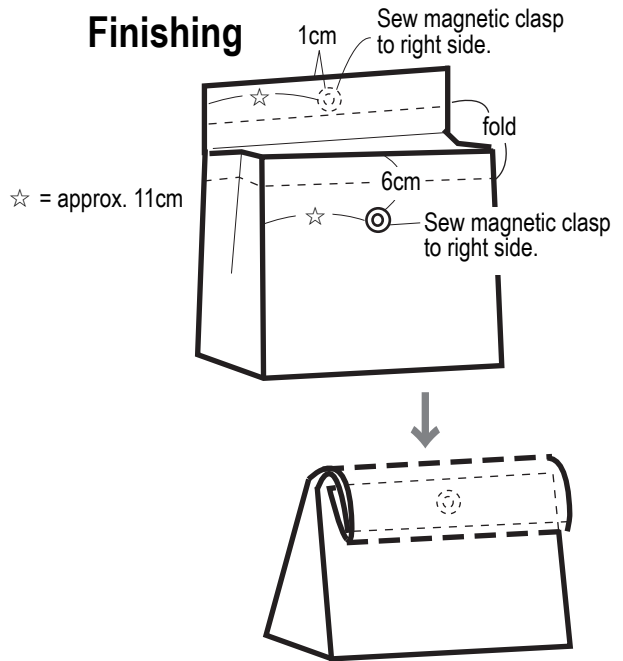
hdc = half double crochet (US)

sc = single crochet (US)

Clutch schematic



Finishing



Sides 3.0mm hook

