

Haruiro Cape



Suggested yarn:

- Keito-Zakka Stores Pale Cotton [100% cotton; 109 yds/100m per 1.06 oz./30g skein]; color #03 rose pink, 5 skeins [125g]

Tools/Notions:

- 3.0mm (approx. US C or D) crochet hook or size necessary to achieve gauge
- 2 wooden buttons (20mm/0.79")

Finished measurements:

- circumference at neck: 68cm/26.77"
- circumference at hem: 141cm/55.51"
- length: 26cm/10.24"

Gauge:

- pattern stitch: 1 repeat (13 sts) = 4.8cm/1.89" and 11 rows

Gauge may vary according to individual crochet style. Change hook size if necessary to achieve gauge. Alternatively, rework pattern with your own gauge measurements.

Summary

***Note:** Like all Japanese patterns, stitch counts given here for foundation chains do not include any chain sts needed for turning posts.

Body of cape: Work foundation chain to begin, then work in pattern stitch.

Finishing: Work edging along right front and left front edges, adding buttonholes to right front only. Sew buttons to left front buttonband.

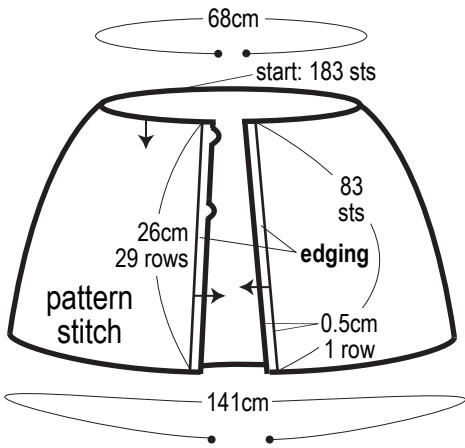
Abbreviations:

ch = chain

rep = pattern repeat(s)

Cape

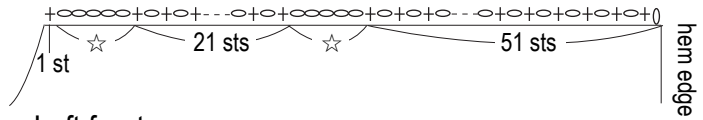
3.0mm hook



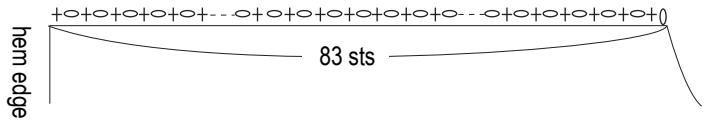
Edging 3.0mm hook

Right front

☆ = buttonhole (5 sts)



Left front



Pattern stitch

