

Camellia Wreath



Suggested yarn:

- Pierrot Yarns Kukka [60% acrylic, 40% wool; 92 yds/84m per 1.41 oz./40g skein];
 - color #05 salvia splendens, 1 skein [16g]
 - color #07 yellow, 1 skein [small amount]
- Pierrot Yarns Jewel [55% Polyester, 45% Wool; 109 yds/100m per 1.41 oz./40g skein]; color #02 powdery rose, 1 skein [13g]
- Pierrot Yarns Printemps [100% merino wool; 98 yds/90m per 1.41 oz./40g skein]; color #05 moss, 1 skein [5g]

Tools/Notions:

- 5.1mm (approx. US 8) knitting needles or size necessary to achieve gauge
- 3.0mm (approx. US C or D) and 4.0mm (US G) crochet hooks or sizes necessary to achieve gauge
- polyfiber batting
- darning needle
- 150cm/59.06" length of rope (8mm/0.32" thick), used as core of wreath

Finished measurements:

- Please refer to finishing schematics.

Gauge (10cm/4" square):

- No gauge is provided in original pattern. Use needle and hook sizes necessary to achieve desired fabric density.

Gauge may vary according to individual knitting style. Change needle size if necessary to achieve gauge. Alternatively, rework pattern with your own gauge measurements.

Summary

Body of wreath: Form base of wreath by looping rope 3 times and securing it with yarn or twine. Wrap strip of batting around rope. Knit piece in Jewel according to schematic, then wrap around wreath form and whipstitch long edges together to form a tube. Seam ends of tube together with mattress stitch.

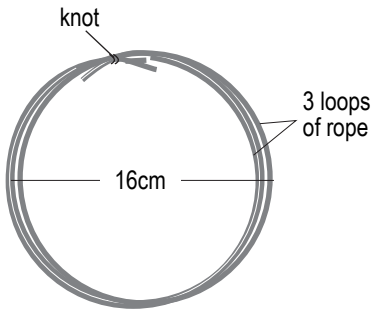
Finishing: Crochet floers and leaves. Fasten to wreath as shown in finishing schematic. Crochet cord loop with Jewel and fasten in place. If desired, also fasten decorative sprigs to wreath. (Decorations shown in photo are a traditional New Year's paper fan decoration and a sprig of sacred bamboo plant, also known as nandina (*Nandina domestica*.)

Abbreviations:

BO = bind off
ch = chain stitch
CO = cast on

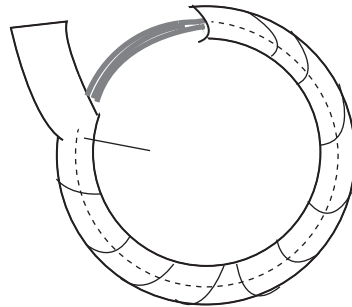
Body of wreath

①



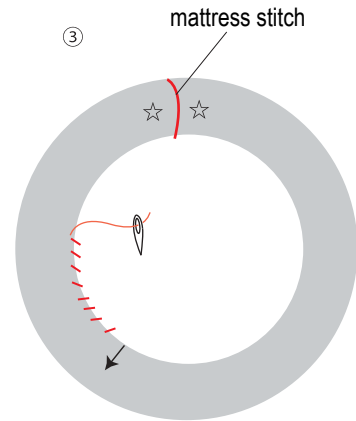
Loop rope 3 times;
secure with knot.

②



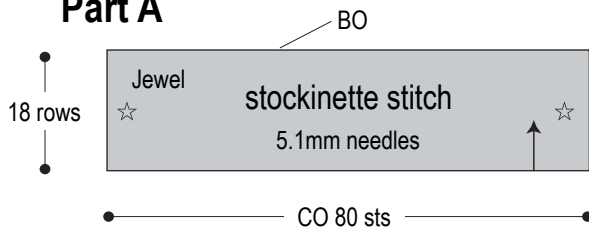
Wrap strip of batting around rope.

③



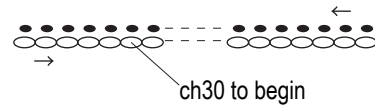
After knitting part A, wrap around
body of wreath. Seam ends with
mattress stitch. Seam long edges
with whipstitch to form tube.

Part A



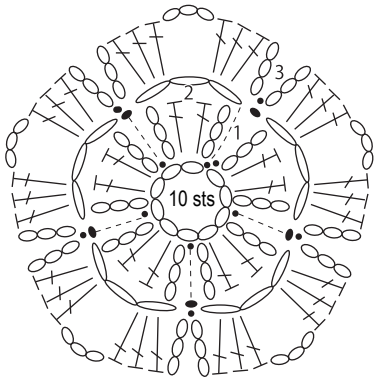
Loop

4.0mm hook, Jewel



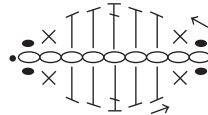
Flower (make 3)

3.0mm hook, Kukka color #05



Leaf (make 6)

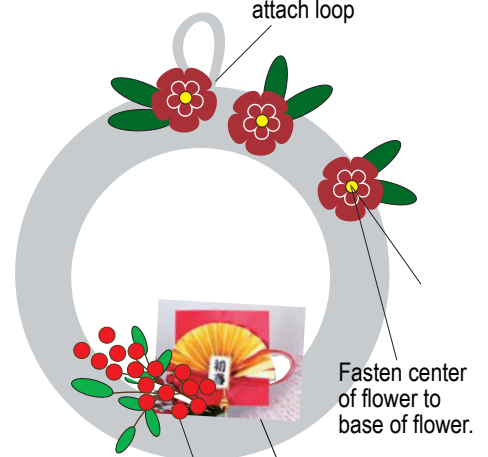
3.0mm hook, Printemps color #05



Finishing

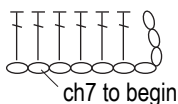
Japanese New Year's version
attach loop

19cm



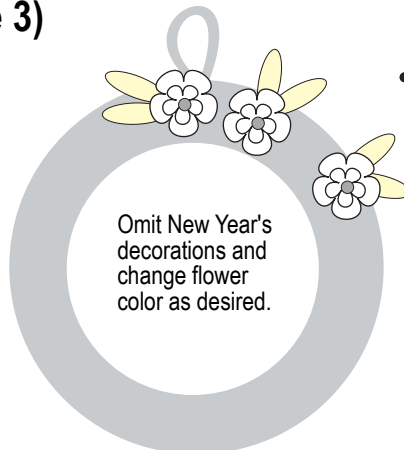
Center of flower (make 3)

3.0mm hook, Kukka color #07



Roll up and secure with whipstitch.
Fasten to center of flower.

Christmas version



Attach decorations if desired.

*Attach flowers to wreath as
shown above or as desired.