

# 527kakuza Poko Poko Cushion



## Suggested yarn:

- Pierrot Yarns Junmo Namibuto2/Pure Wool [100% wool; 79 yds/72m per 1.41 oz./40g skein];
  - color #205 aquamarine, 4 skeins [155g]
  - color #206 teal, 4 skeins [160g]

## Tools/Notions:

- 4.5mm (approx. US G or H) Tunisian crochet hook or size necessary to achieve gauge
- 3.5mm (US E) crochet hook or size necessary to achieve gauge
- polyfiber stuffing

## Finished measurements:

- height 46cm/18.11"
- width 40cm/15.75"

## Gauge (10cm/4" square):

- stranded pattern stitch: 17 sts and 14 rows
- Tunisian simple stitch: 17 sts and 14 rows

*Gauge may vary according to individual crochet style. Change hook size if necessary to achieve gauge. Alternatively, rework pattern with your own gauge measurements.*

## Summary

❖**Note:** Like all Japanese patterns, stitch counts given here for foundation chains do not include any chain sts needed for turning posts.

**Cushion:** Work foundation chain to begin, then work required number of squares in stranded pattern stitch and Tss. After seaming, all squares will have stranded pattern stitch at front and Tss at back. Refer to chart and color sequence table for color information.

**Finishing:** With wrong sides facing, seam front and back together with whipstitch, inserting stuffing as you seam, for a total of 16 stuffed squares. Seam squares together with sc. Work sc edging in joined rounds around outer edge of cushion.

## Abbreviations:

ch = chain

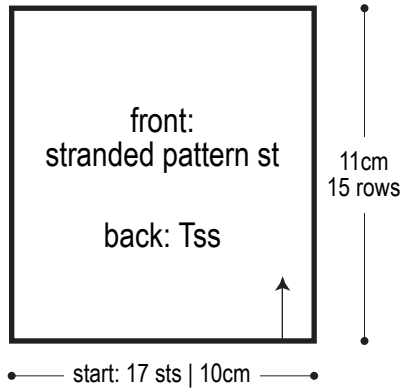
sc = single crochet (US)

Tss = Tunisian simple stitch



# Square

4.5mm Tunisian hook

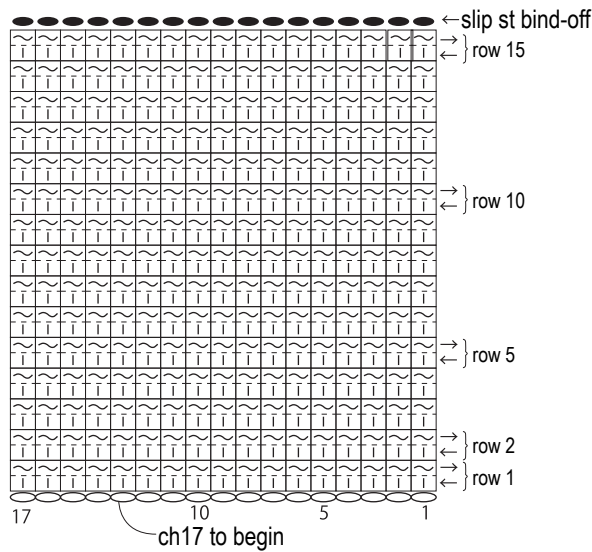
A: 8 front squares, 8 back squares  
 B: 8 front squares, 8 back squares



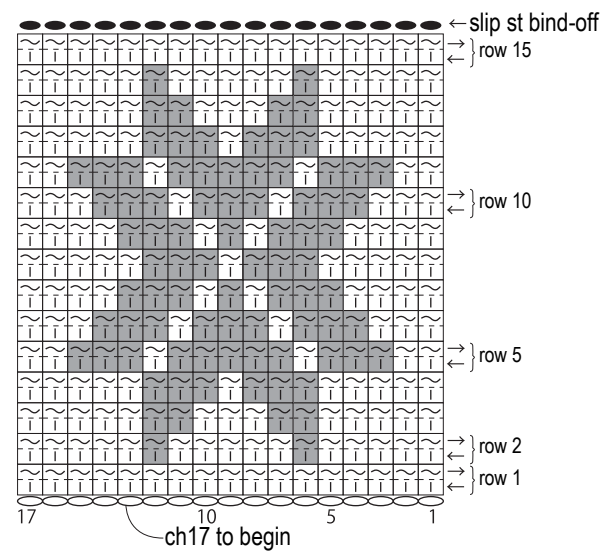
## Color sequences

	front (stranded pattern stitch)		back (Tss)
			
A	#205 aquamarine	#206 teal	#205 aquamarine
B	#206 teal	#205 aquamarine	#206 teal

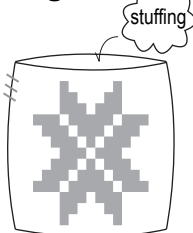
## Tss 4.5mm Tunisian hook



## Stranded pattern stitch 4.5mm Tunisian hook



## Finishing



Seam 3 sides with whipstitch, then insert stuffing. Seam remaining side with whipstitch.

