

# 215w-20 Multi Case



## Suggested yarn:

- Pierrot Yarns Meringue Mohair [100% acrylic; 124 yds/113m per 0.88 oz./25g skein]; color #01 pure white, 1 skein [25g]
- Pierrot Yarns Ami Cotton Space Dye Bulky [100% cotton; 115 yds/105m per 3.53 oz./100g hank]; color #35 apricot, 1 hank [50g]

## Tools/Notions:

- 5.1mm (US H) Tunisian crochet hook or size necessary to achieve gauge
- 4.0mm (US G) crochet hook or size necessary to achieve gauge

## Finished measurements:

- circumference 28cm/11.02"
- height 20cm/7.87"

## Gauge (10cm/4" square):

- Tunisian simple stitch: 16 sts and 14.5 rows

*Gauge may vary according to individual crochet style. Change hook size if necessary to achieve gauge. Alternatively, rework pattern with your own gauge measurements.*

## Summary

❖**Note 1:** Like all Japanese patterns, stitch counts given here for foundation chains do **not** include any chain sts needed for turning posts.

❖**Note 2:** When using Ami Cotton, use only 1 strand of yarn. When using Meringue Mohair, use 2 strands of yarn held together.

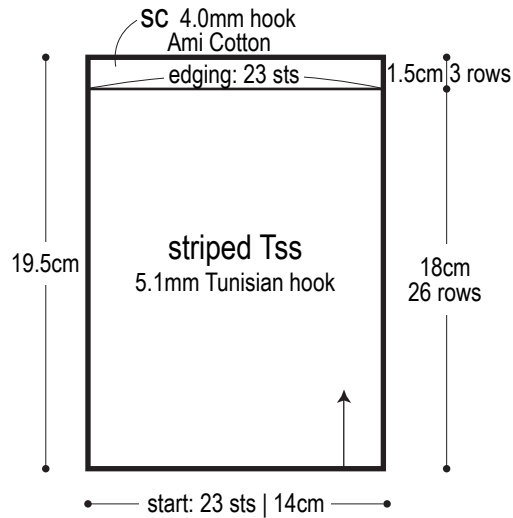
**Body of bag (make 2):** Work foundation chain to begin, then work in striped Tss. After working 26 rows, bind off with slip stitch. Work sc edging across bind-off row.

**Finishing:** With wrong sides facing each other, seam sides together with mattress stitch. Work 1 row of sc edging along bottom of bag (foundation edge), working through both layers. Make pom-pom and secure to bag with a length of chain.

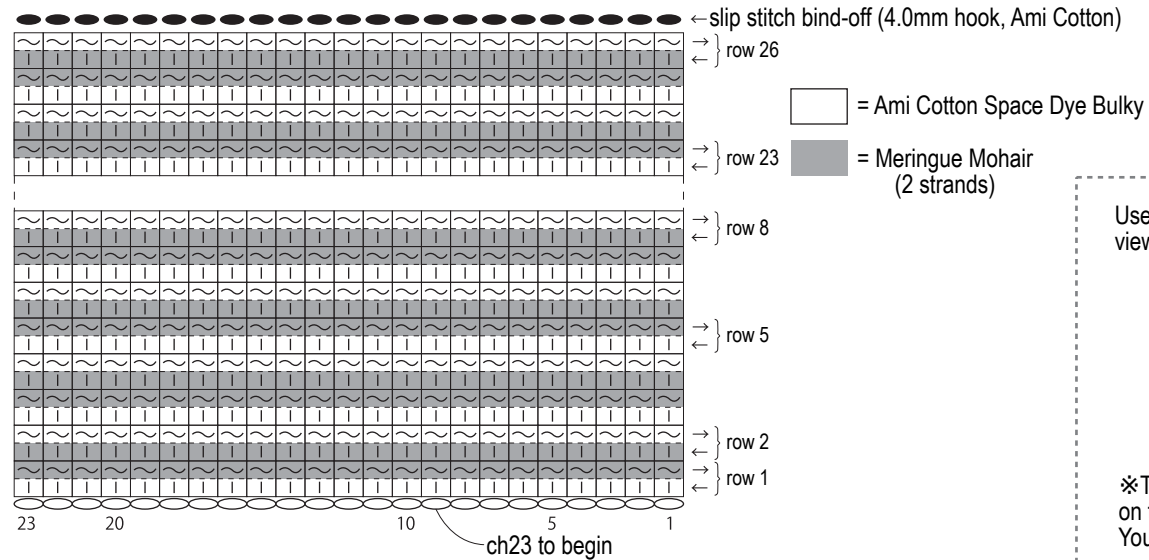
## Abbreviations:

ch = chain      sc = single crochet (US)      Tss = tunisian simple stitch

## Body of bag (make 2)



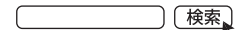
## Striped Tss 5.1mm Tunisian hook



Use QR code on smartphone to view a video tutorial about Tss.

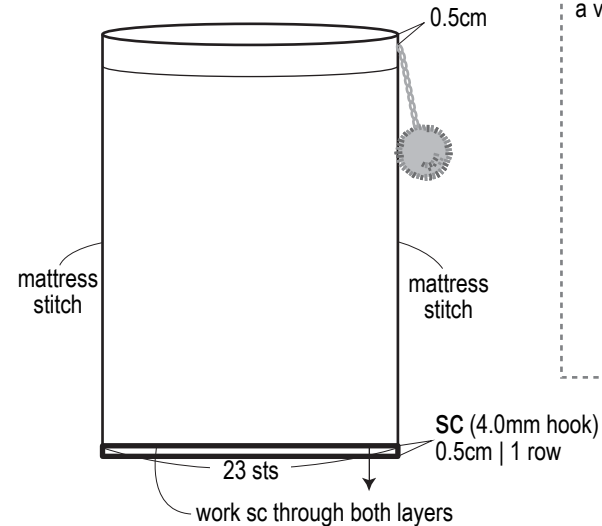


※To view on computer, search on the Pierrot Yarns website or YouTube channel instead.



## Finishing

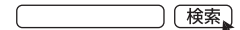
mattress stitch: use 2 strands of Meringue Mohair  
sc: use 1 strand of Ami Cotton



Use QR code on smartphone to view a video tutorial about mattress stitch.



※To view on computer, search on the Pierrot Yarns website or YouTube channel instead.



## How to make pompom 2 strands of Meringue Mohair

