

22-23-20 Ribbed Turtleneck Sweater



Suggested yarn:

- Pierrot Yarns Basic Alpaca [80% alpaca, 20% wool; 241 yds/220m per 1.41 oz./40g skein]; color #4 gray, 9 skeins [360g]

Tools/Notions:

- 3.6mm (approx. US 5) knitting needles or size necessary to achieve gauge
- 3.3mm (approx. US 4) circular knitting needles or size necessary to achieve gauge

Finished measurements:

- bust 92cm/36.22"
- cross back width 35cm/13.78"
- back length 55cm/21.65"
- sleeve length 54cm/21.26"

Gauge (10cm/4" square):

- k2p2 ribbing: 27 sts and 31 rows

Gauge may vary according to individual knitting style. Change needle size if necessary to achieve gauge. Alternatively, rework pattern with your own gauge measurements.

Summary

✳️**Note:** entire garment worked with 2 strands of yarn held together.

Back, front & sleeves: Cast on with long-tail cast-on method and work in k2p2 ribbing. Do not bind off shoulder stitches; place shoulder stitches on stitch holder after last row.

Collar: Seam shoulders with three-needle bind-off method. Pick up and knit around neckline; work k2p2 ribbing in the round. Bind off with 2x2 tubular bind-off method.

Finishing: Seam sides and sleeve undersides with mattress stitch. Seam sleeves to body with crochet slip stitch seam.

Abbreviations:

BO = bind off

CO = cast on

k = knit stitch

OH = on hold (place on stitch holder)

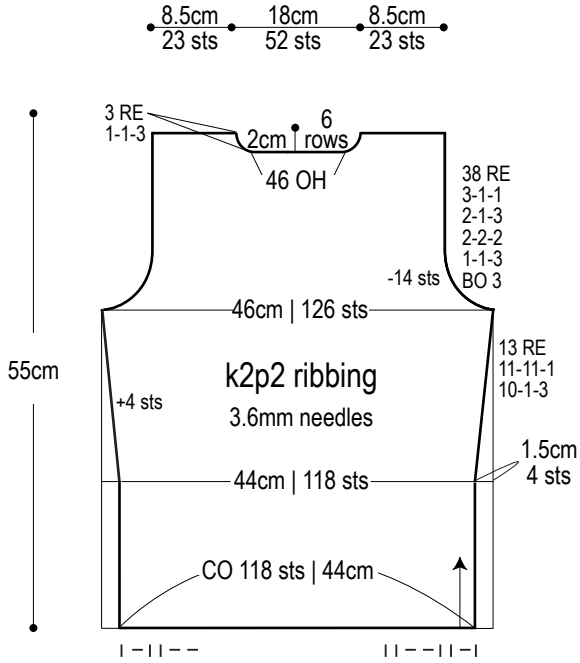
p = purl stitch

PU = pick up

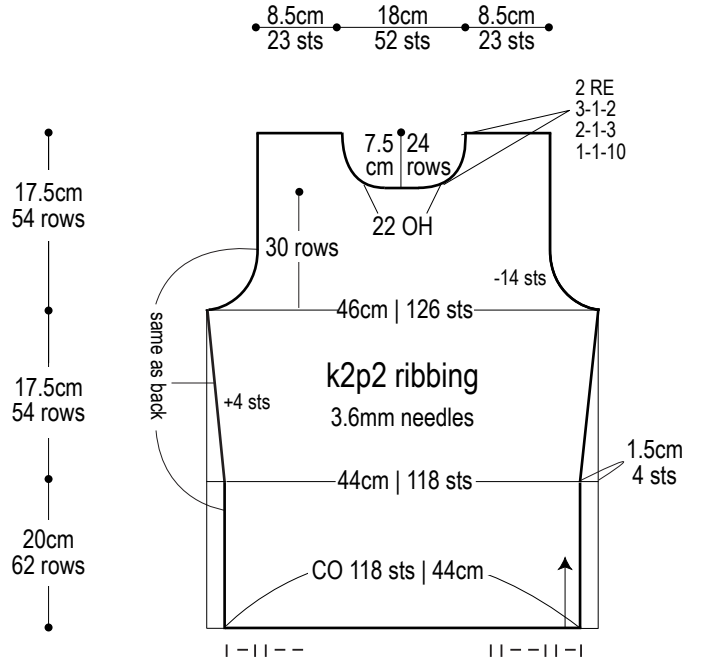
RE = row(s) even

= rows-stitches-times

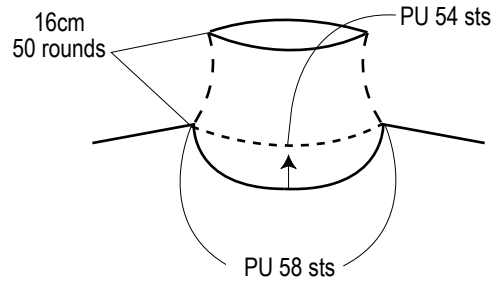
Back



Front



Collar: k2p2 ribbing 3.3mm circular needle



Sleeve (make 2)

