

214a-30 Men's Sweater



Suggested yarn:

- Pierrot Yarns Chiffon [100% alpaca; 117yds/107m per 1.06oz/30g skein];
 - medium size: color #58 scarlet, 24 skeins [710g]
 - large size: color #52 moss green, 26 skeins [765g]

Tools/Notions:

- 3.9mm (approx. US 6) and 4.5mm (US 7) knitting needles or sizes necessary to achieve gauge
- 3.9mm (approx. US 6) double-pointed knitting needles or size necessary to achieve gauge
- cable needle

Finished measurements:

- | | |
|--------------------------------|--------------------------------|
| • medium: | • large: |
| • chest 100cm/39.37" | • chest 108cm/42.52" |
| • cross back width 41cm/16.14" | • cross back width 43cm/16.93" |
| • back length 63.5cm/25.00" | • back length 66cm/25.98" |
| • sleeve length 60cm/23.62" | • sleeve length 62cm/24.41" |

Gauge (10cm/4" square):

- | | | |
|--|--|--|
| • stockinette stitch: 19 sts and 28 rows | • pattern stitches A & C: 26 sts and 28 rows | • pattern stitch B: 24.5 sts and 28 rows |
|--|--|--|

Gauge may vary according to individual knitting style. Change needle size if necessary to achieve gauge. Alternatively, rework pattern with your own gauge measurements.

Summary

✳️**Note:** Entire garment worked with 2 strands of yarn held together.

Back & front: Cast on with long-tail cast-on method. Work in k2p2 ribbing. Continue in stockinette stitch and pattern stitches A, B, and C.

Sleeves: Cast on with long-tail cast-on method. Work in k2p2 ribbing. Continue in pattern stitches A, B, and C as well as stockinette stitch.

Finishing: Seam shoulders with crochet slip stitch seam. Seam sides and sleeve undersides with mattress stitch. Pick up stitches around neckline; work collar in k2p2 ribbing in the round. Bind off in pattern. Seam sleeves to body with crochet slip stitch seam.

Abbreviations:

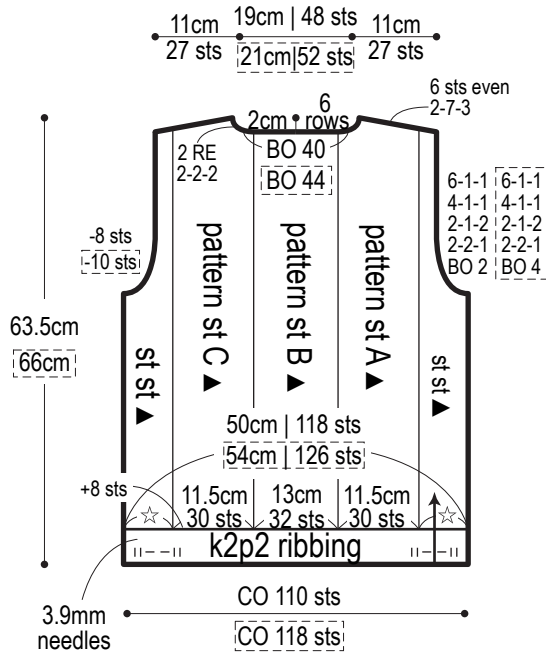
BO = bind off CO = cast on PU = pick up RE = row(s) even ### = rows-stitches-times

no outline = medium size

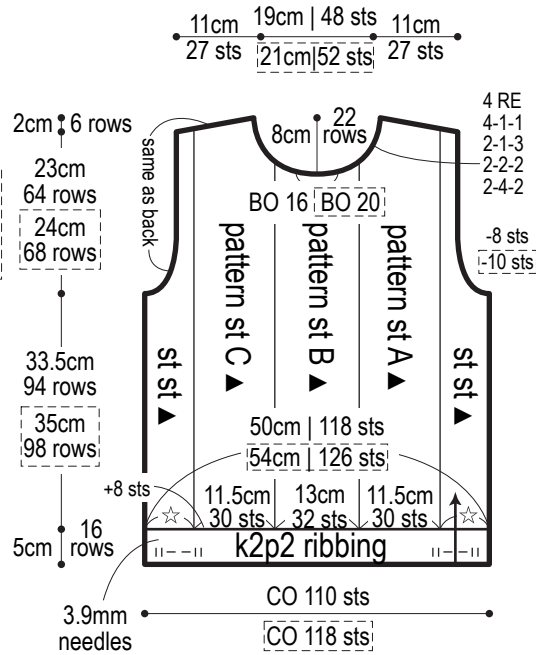
 = large size

*Where only one set of numbers is given, it refers to both sizes.

Back



Front



☆ = 7cm | 13 sts

 = 9cm | 17 sts

▲ = 4.5mm needles

= C6B

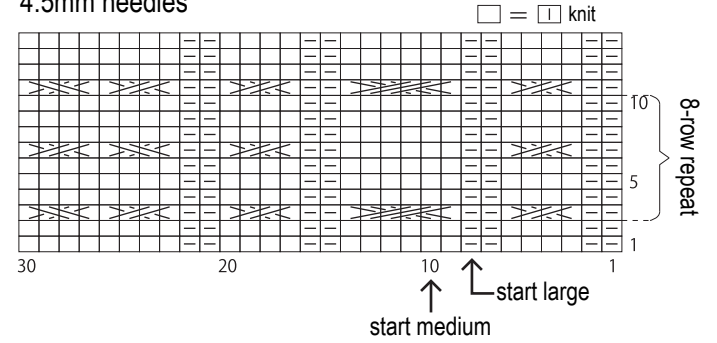
= C6F

= = C8F

= = C8B

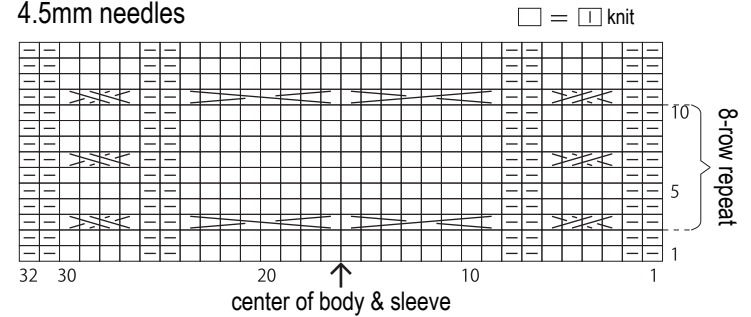
Pattern stitch A

4.5mm needles



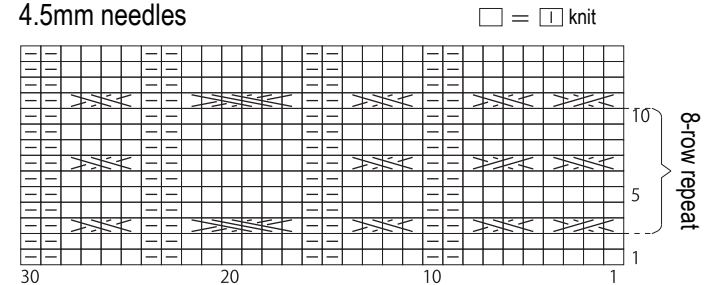
Pattern stitch B

4.5mm needles

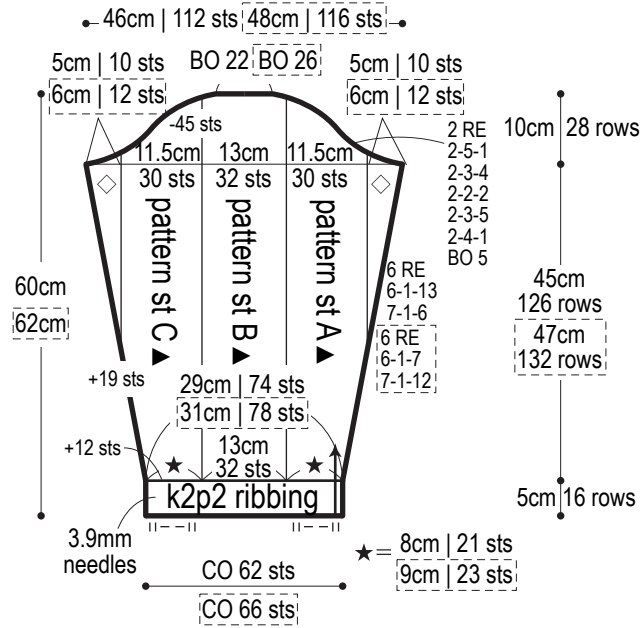


Pattern stitch C

4.5mm needles



Sleeve



◇ = stockinette stitch
4.5mm needles

Collar

3.9mm DPNs

