

213s-24 Flower Pot Cozy



Suggested yarn:

- Pierrot Yarns Wild Life [100% hemp; 120 yds/110m per 3.53 oz./100g hank];
 - version A: color #05 spring green, 1 hank [25g]
 - version B: color #04 sky blue, 1 hank [35g]

Tools/Notions:

- 3.0mm (US approx. C or D) crochet hook or size necessary to achieve gauge

Finished measurements:

- Please refer to schematics.

Gauge (10cm/4" square):

- single crochet (US): 17.5 sts and 20 rounds

Gauge may vary according to individual crochet style. Change hook size if necessary to achieve gauge. Alternatively, rework pattern with your own gauge measurements.

Crochet Tips

Bottom: Create magic ring to begin, then work in sc in the round, increasing as indicated.

Sides: Continuing from bottom, work 1 round in sc tbl, then sc, then continue in pattern stitch. On final round of pattern stitch, work handles as you go. Refer to charts for handle instructions.

Abbreviations:

ch = chain

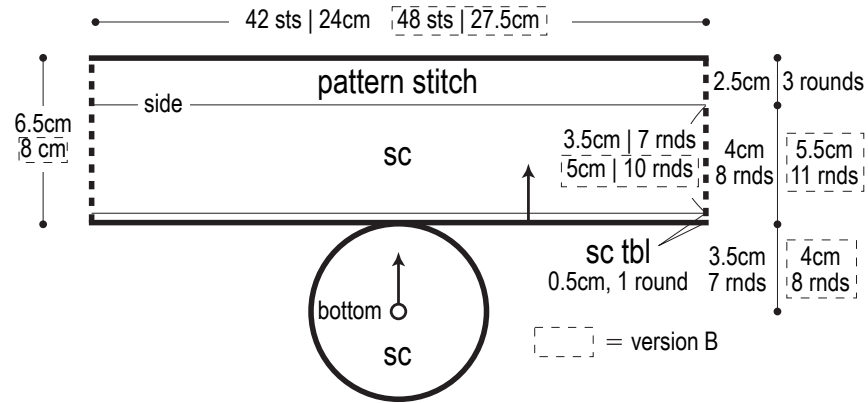
m = magic ring

sc = single crochet (US)

sc tbl = single crochet (US) through back loop only

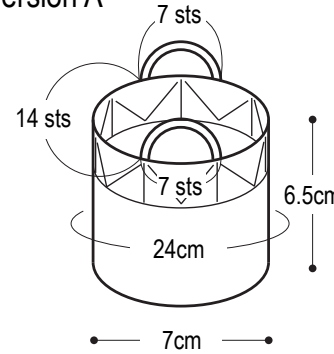
Schematic

3.0mm hook

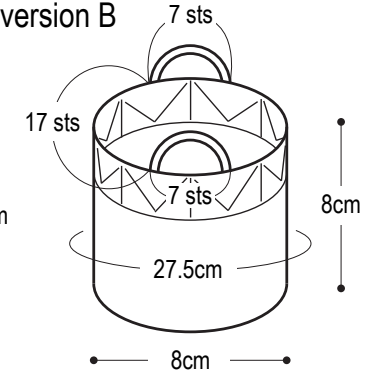


Finishing

version A

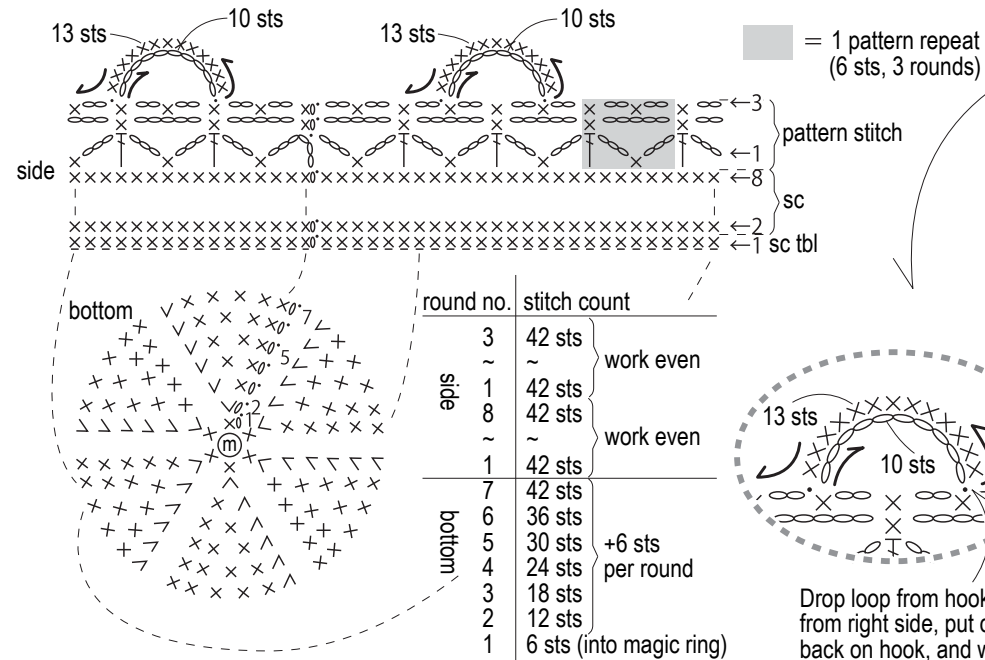


version B



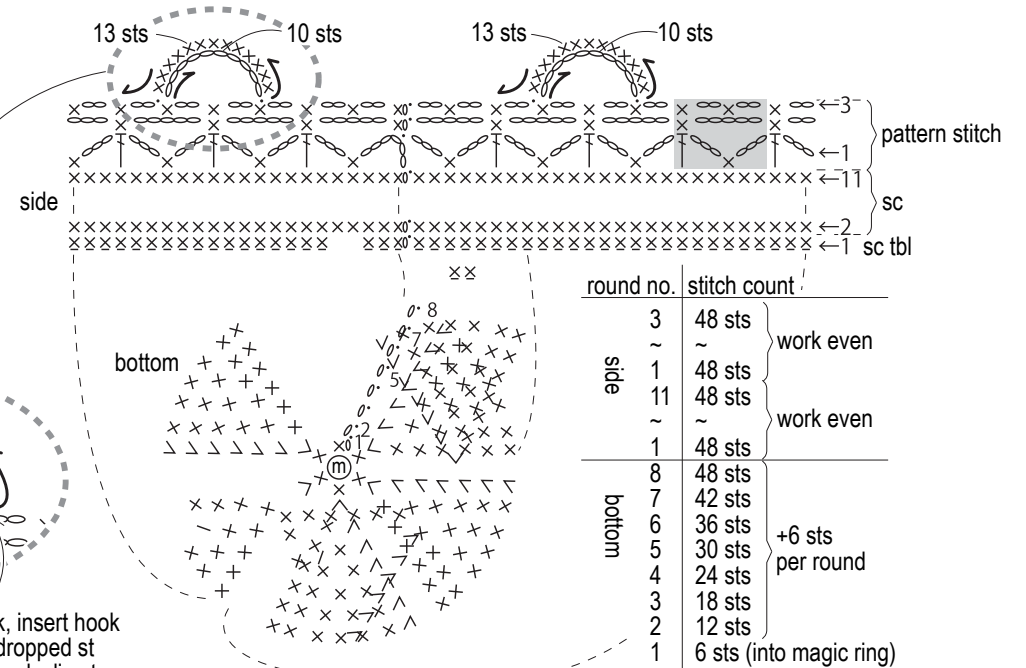
Version A

3.0mm hook, #05 spring green



Version B

3.0mm hook, #04 sky blue



Drop loop from hook, insert hook from right side, put dropped st back on hook, and work slip st.