

Joliesse Silk Lacy Vest



Suggested yarn:

- Keito-Zakka Stores Joliesse Silk [100% silk; 104 yds/95m per 1.41 oz./40g skein]; color #03 brown, 9 skeins [350g]

Tools/Notions:

- 3.0mm (approx. US C or D) crochet hook or size necessary to achieve gauge

Finished measurements:

- bust 90cm/35.43"
- cross back width 48cm/18.90"
- length 50cm/19.69"

Gauge (10cm/4" square):

- pattern stitch: 23.5 sts and 11 rows

Gauge may vary according to individual crochet style. Change hook size if necessary to achieve gauge. Alternatively, rework pattern with your own gauge measurements.

Crochet Tips

Body: Chain 105, ch3 additional stitches for turning post, then work in pattern stitch according to chart and schematic.

Finishing: Seam shoulders with chain seam (alternating chain stitches and slip stitches as needed to maintain pattern). Seam sides with chain seam. Work edging A in the round around hem. Work edging B in the round around armholes and neckline.

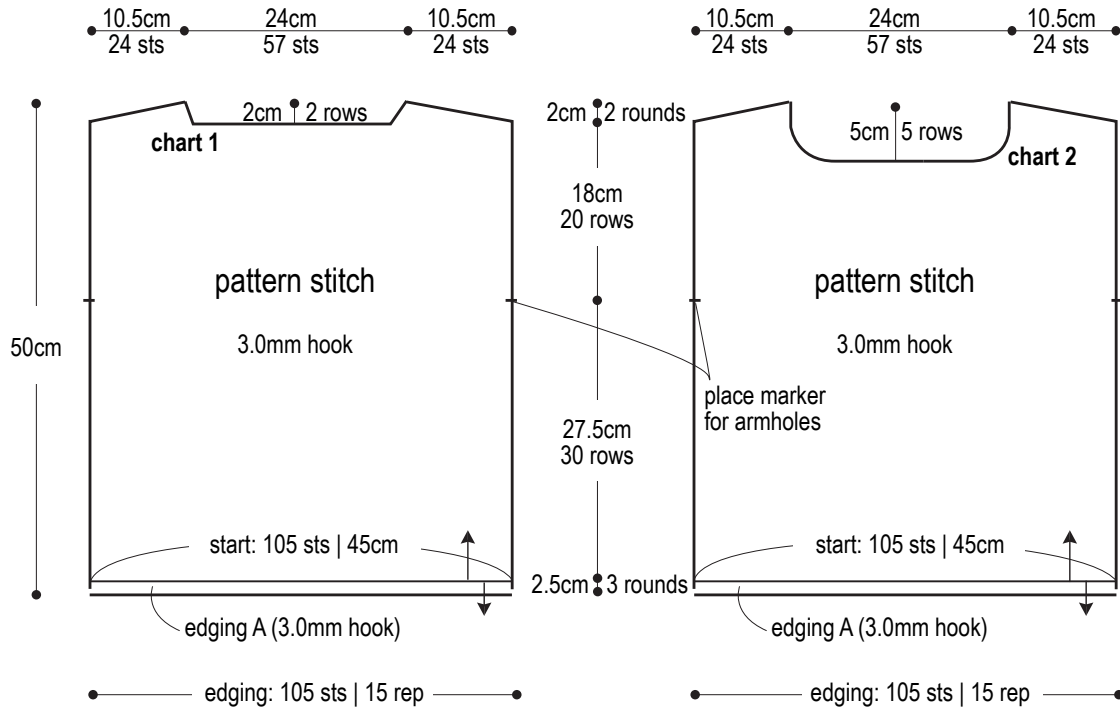
Abbreviations:

ch = chain

rep = pattern repeat(s)

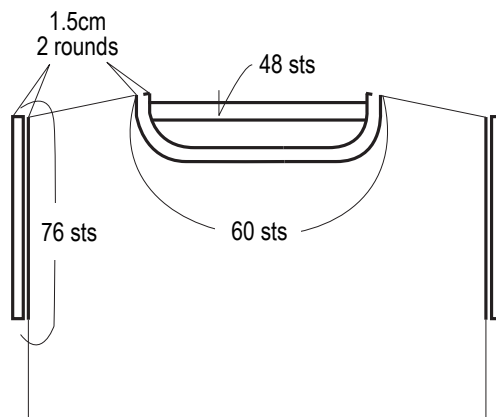
Back

Front

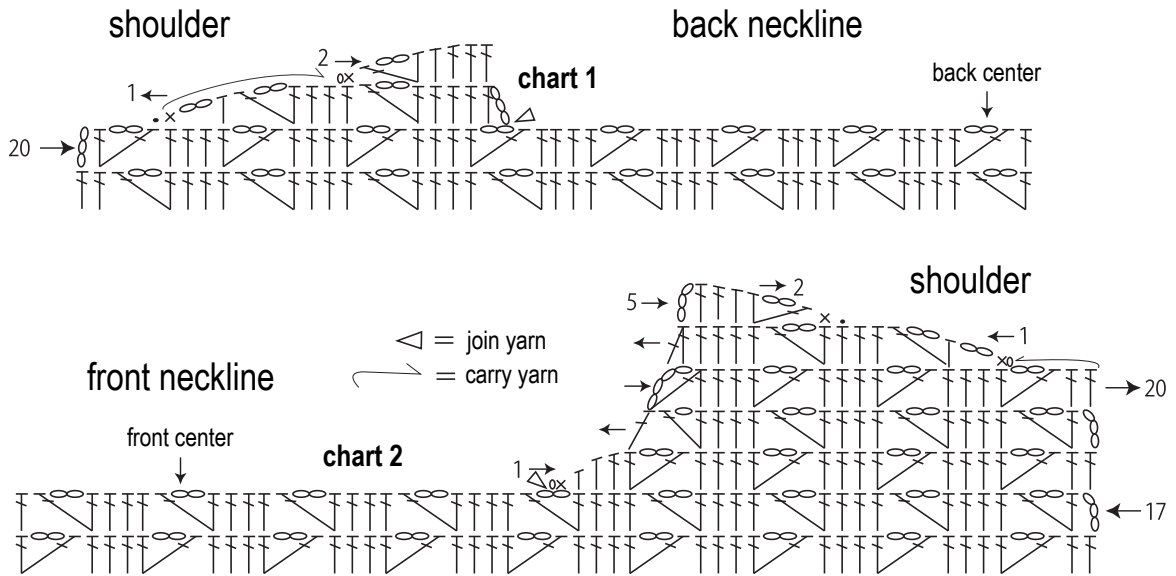
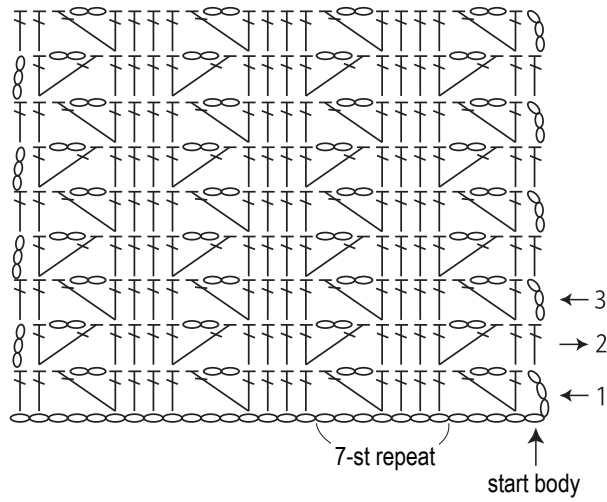


Edging B: neckline & armholes

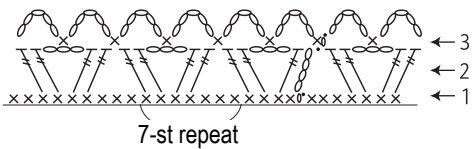
3.0mm hook



Pattern stitch (3.0mm hook)



Edging A: hem 3.0mm hook



Edging B: neckline & armholes 3.0mm hook

