

# 213s-19 Culottes



## Suggested yarn:

- Mondial Cotton Soft Speciale Baby Solid [100% cotton; 197 yds/180m per 1.76 oz./50g skein]; color #325 royal purple, 3 skeins [130g]

## Tools/Notions:

- 2.5mm (approx. US B or C) crochet hook or size necessary to achieve gauge
- elastic for waistband (2cm/0.79" wide, 50cm/19.69" long)

## Finished measurements:

- waist 49cm/19.29"
- length 25cm/9.84"

## Gauge (10cm/4" square):

- pattern stitch A: 32 sts and 12 rows
- pattern stitch C: 33 sts and 24 rows

*Gauge may vary according to individual crochet style. Change hook size if necessary to achieve gauge. Alternatively, rework pattern with your own gauge measurements.*

## Crochet Tips

**Right & left legs:** Work foundation chain to begin. Work in pattern stitch A, working evenly spaced increases where indicated, but work thigh increases in pattern stitch B.

**Finishing:** Seam inseam with chain seam (alternating chain stitches and slip stitches as needed to maintain pattern). Seam crotch rise in one continuous seam from front to back with chain seam. Work edging in the round around hem.

**Waistband:** Working stitches into foundation chain, work waistband in the round in pattern stitch C. Fold waistband to inside where indicated. Tack down with whipstitch, inserting elastic as you go.

## Abbreviations:

ch = chain

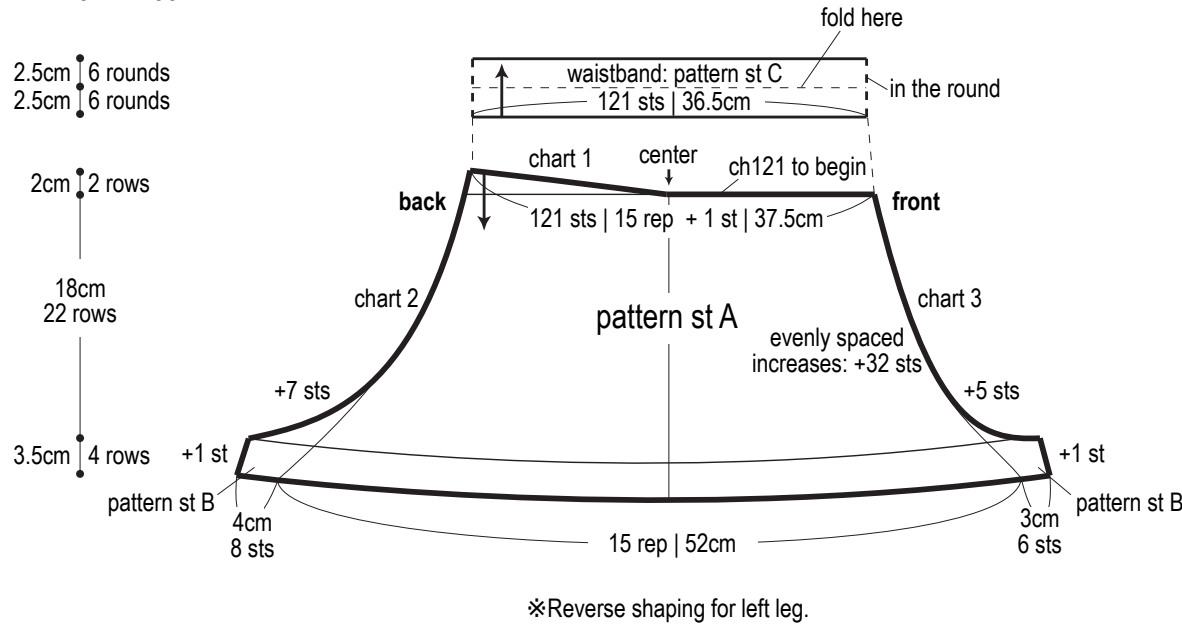
dc = double crochet (US)

hdc = half double crochet (US)

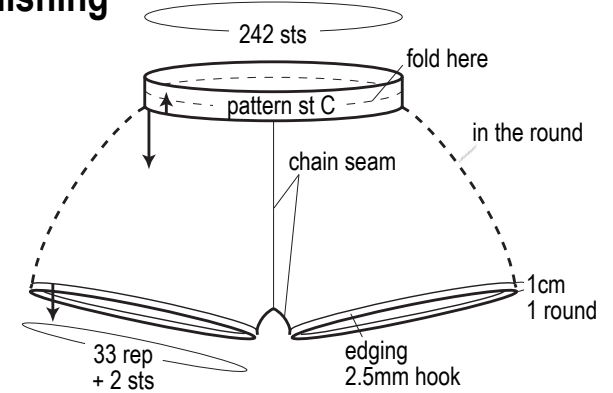
rep = pattern repeat(s)

## Right leg

2.5mm hook

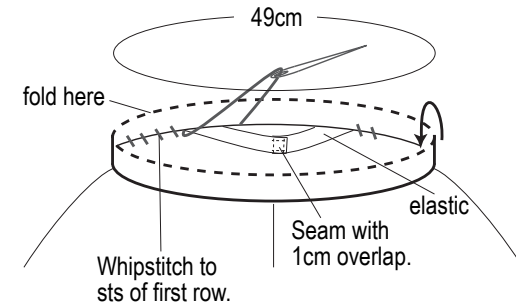


## Finishing



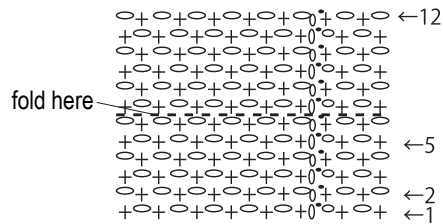
## Instructions for inserting elastic into waistband and seaming waistband

Adjust elastic length as needed for desired waist size.



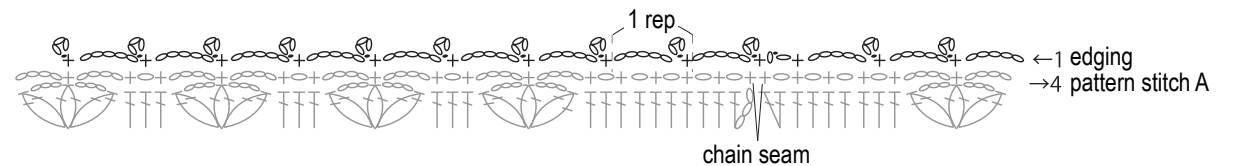
## Waistband: pattern stitch C

2.5mm hook

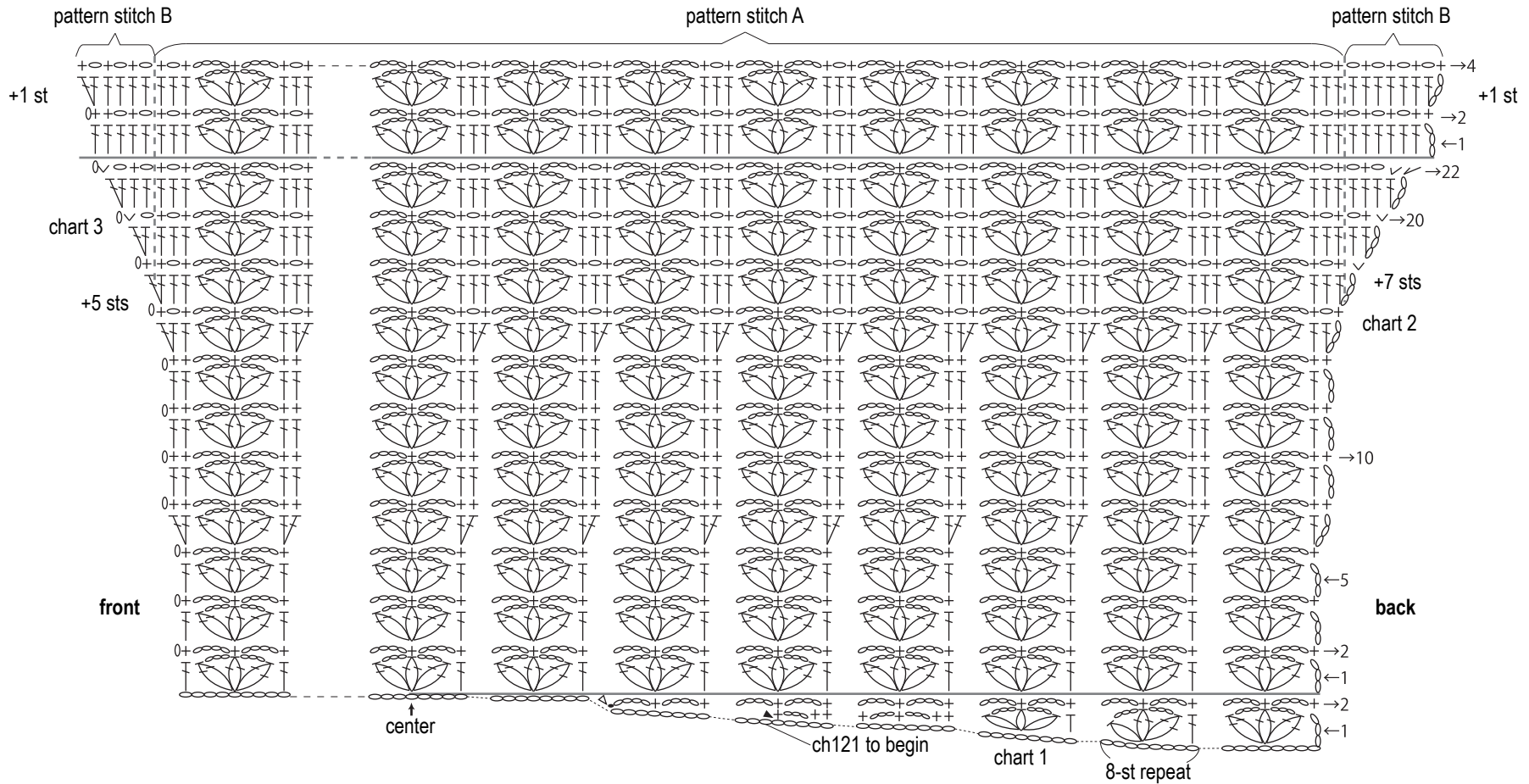


## Edging

2.5mm hook



# Right leg chart (2.5mm hook)



## Instructions for beginning of left leg

2.5mm hook

= 2-dc cluster stitch

= 2-hdc cluster stitch

◁ = join yarn

◄ = cut yarn

..... = continue crocheting

- - - = abbreviated (work even)

