

# 213s-02 Pont du Gard Tunic



## Suggested yarn:

- Pierrot Yarns Pont du Gard [100% French linen; 188 yds/172m per 1.41 oz./40g skein]; color #05 montagne, 8 skeins [300g]

## Tools/Notions:

- 4.2mm (approx. US 6), 4.5mm (US 7), 4.8mm (approx. US 7 or 8), and 5.1mm (approx. US 8) knitting needles or sizes necessary to achieve gauge
- 2.3mm (approx. US B) and 3.0mm (approx. US C or D) crochet hooks or sizes necessary to achieve gauge

## Finished measurements:

- bust 90cm/35.43"
- cross back width 31cm/12.20"
- length 72.5cm/28.54"

## Gauge (10cm/4" square):

- pattern stitch (with 4.2mm needles): 18 sts and 32 rows

*Gauge may vary according to individual knitting style. Change needle size if necessary to achieve gauge. Alternatively, rework pattern with your own gauge measurements.*

## Knitting Tips

※Entire body of garment worked with 2 strands of yarn held together. Edging worked with just 1 strand of yarn.

**Back & front body:** Cast on with long-tail cast-on method. Work in pattern stitch. Referring to schematic, change needle size when indicated to alter the gauge. Shape armhole and neckline by binding off stitches where indicated and by working fully fashioned decreases (1 stitch in from the edge).

**Finishing:** Seam shoulders with crochet slip stitch seam. Seam sides with mattress stitch. Crochet edging in the round along hem, armholes, and neckline.

## Abbreviations:

BO = bind off

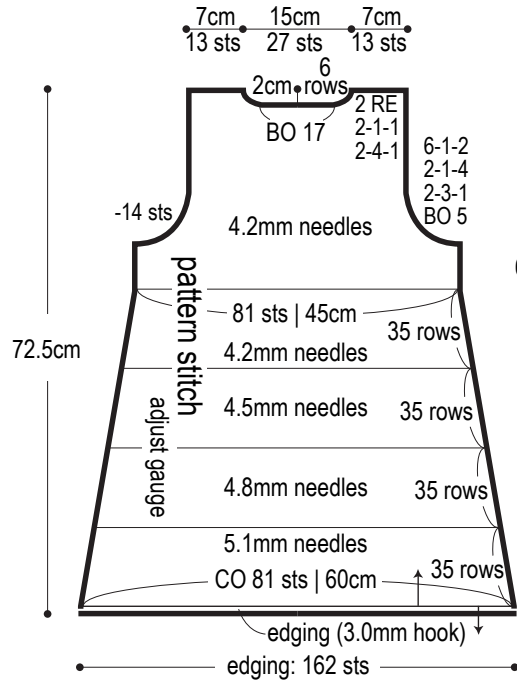
CO = cast on

OH = on hold (that is, place stitches on stitch holder)

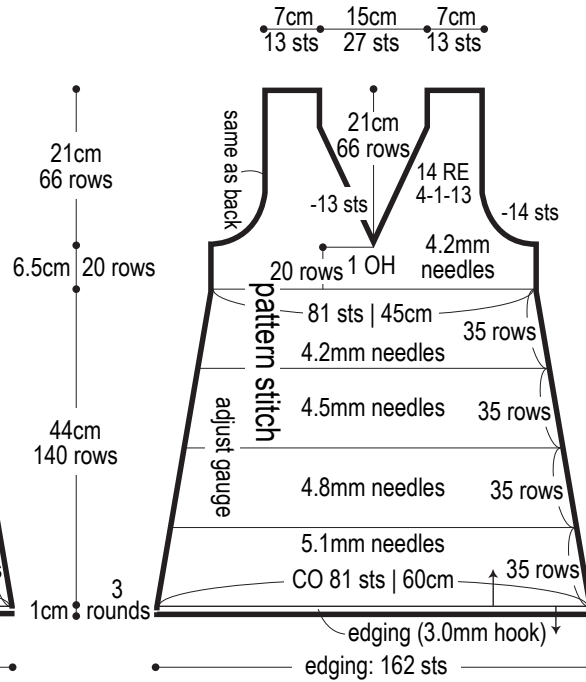
RE = row(s) even

### = rows-stitches-times

## Back

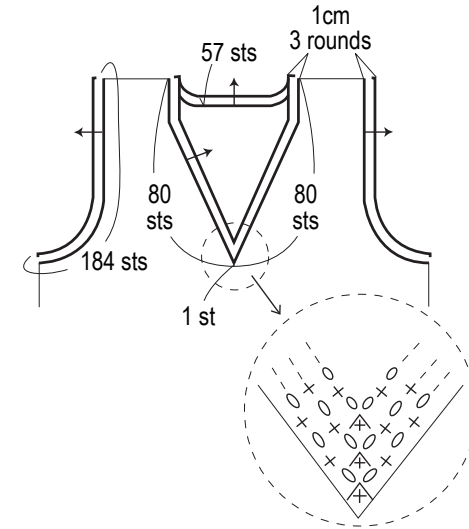


## Front



## Collar & arm edging

2.3mm hook, 1 strand of yarn



※Work entire body with 2 strands of yarn held together.

## Pattern stitch

4.2mm, 4.5mm, 4.8mm & 5.1mm needles

## Edging

2.3mm or 3.00mm hook, 1 strand of yarn

