

# 213ss-06 Wild Life Motif Hat



## Suggested yarn:

- Pierrot Yarns Wild Life [100% hemp; 120 yds/110m per 3.53 oz./100g hank];
  - color #02 beige, 1 hank [85g]
  - color #06 grass green, 1 hank [60g]

## Tools/Notions:

- 3.0mm (approx. US C or D) crochet hook or size necessary to achieve gauge
- tapestry needle

## Finished measurements:

- Please refer to schematic.

## Gauge:

- half double crochet (US): 20 sts and 13 rounds = 10cm/4" square
- 1 motif = 7.5cm/2.95" square

*Gauge may vary according to individual crochet style. Change hook size if necessary to achieve gauge. Alternatively, rework pattern with your own gauge measurements.*

## Crochet Tips

**Motifs:** Start by creating magic ring. Referring to chart, crochet 8 motifs. Seam together into a loop using whipstitch.

**Top & sides:** Start by creating magic ring. Referring to chart, crochet 12 rounds, increasing as indicated. Then work 3 rounds even.

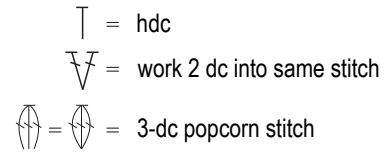
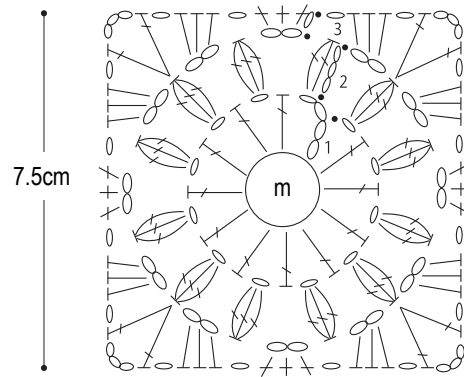
**Finishing:** Seam motif piece to sides using whipstitch through half stitches only (either front or back loop). Working into half stitches (either front or back loop), crochet brim around bottom edge of motifs.

## Abbreviations:

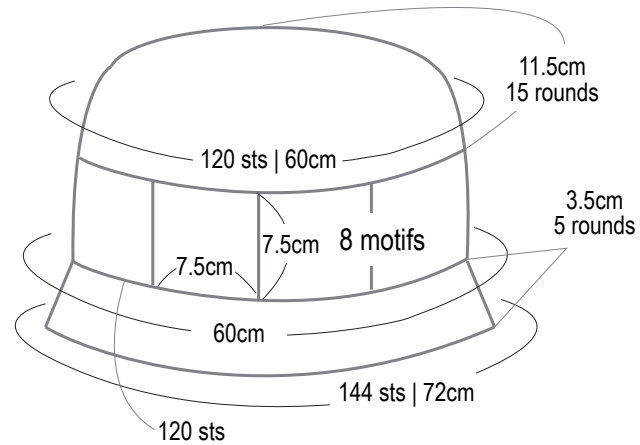
ch = chain  
dc = double crochet (US)  
hdc = half double crochet (US)  
m = magic ring

### Motif (make 8)

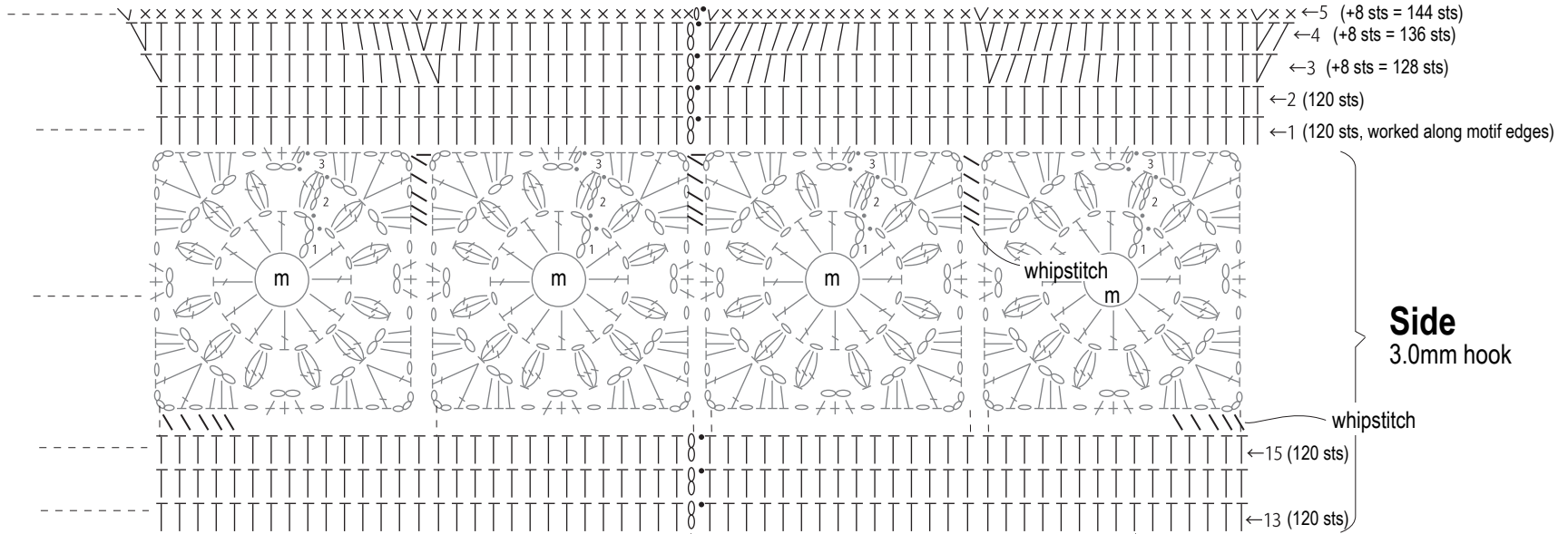
3.0mm hook  
#06 grass green



### Hat schematic



**Brim** (3.0mm hook, #02 beige)



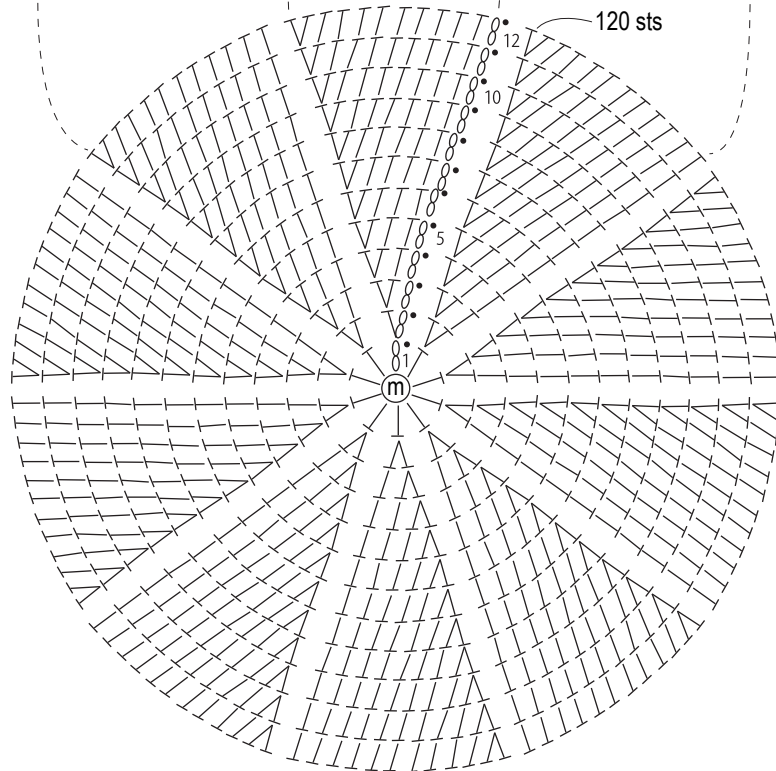
**Side**  
3.0mm hook

**Top**  
3.0mm hook  
#02 beige

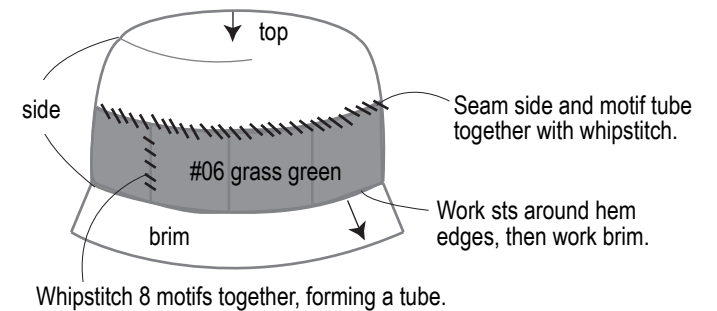
round	stitch count
12	120
11	110
10	100
9	90
8	80
7	70
6	60
5	50
4	40
3	30
2	20
1	10

+10 sts

Work sts into magic ring.



**Finishing**  
3.0mm hook



※Everything but the motifs is worked in #02 beige.