

212ss-33 Mother-daughter Amian Hats



Suggested yarn:

- Pierrot Yarns Amian Space Dyed [100% washable Japanese paper; 94 yds/86m per 1.41 oz./40g skein];
 - ladies' size: color #08 brown/beige, 3 skeins [90g]
 - girls' size: color #03 green/yellow/beige, 2 skeins [70g]
- Pierrot Yarns Cotton Lace #20 [100% cotton; 170 yds/155m per 1.41 oz./40g skein];
 - color #202 ivory, 1 skein [15g]
 - color #205 yellow green, 1 skein [10g]

Tools/Notions:

- 2.0mm (US steel 4) and 3.5mm (US E) crochet hooks or sizes necessary to achieve gauge

Finished measurements:

- ladies' size:
 - head circumference 60cm/23.62"
 - depth 8cm/3.15"
- girls' size:
 - head circumference 53cm/20.87"
 - depth 5.5cm/2.17"

Gauge (10cm/4" square):

- single crochet (US): 18 sts and 19 rounds

Gauge may vary according to individual crochet style. Change hook size if necessary to achieve gauge. Alternatively, rework pattern with your own gauge measurements.

Crochet Tips

❖**Note:** ladies' hat and girls' hat are worked in the same manner.

Top & side: Create magic ring, and crochet top in the round while increasing. Continue to sides from top, working one round of sc through back loop. Work even in sc in the round.

Brim: Work chain to begin, then work sc in the round, increasing as indicated.

Finishing: With right sides of side and brim facing each other, seam together with slip stitch from wrong side of side piece.

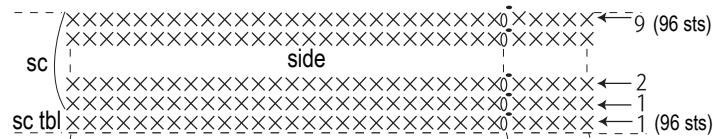
Edging: For ladies' hat, start by working a chain; crochet according to chart. For girls' hat, start with magic ring; crochet 13 round motifs, seaming together with chain and sc. Attach edgings to their respective hats, then add ribbon, tying into a bow knot.

Abbreviations:

ch = chain m = magic ring rep = repeat(s) sc = single crochet (US) sc tbl = single crochet (US) through back loop only

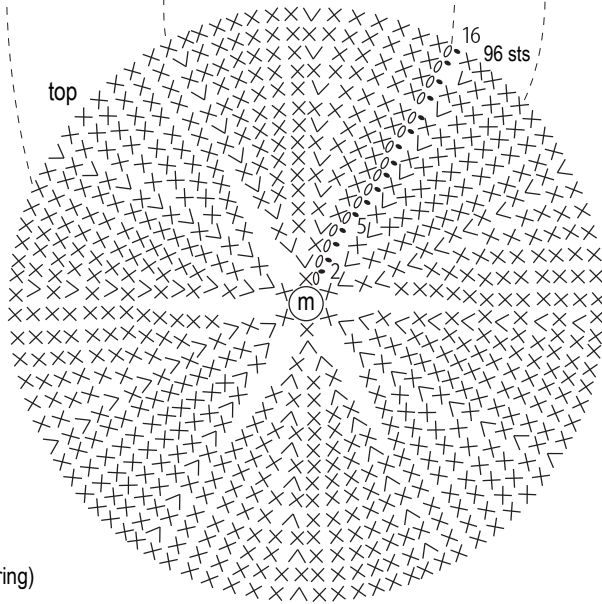
Girls' size: top & sides

3.5mm hook, Amian color #03 green/beige



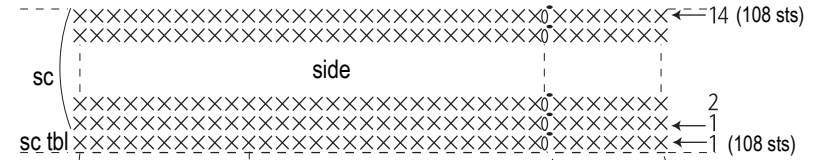
Girls' top & sides

| round no. | stitch count | |
|-----------|------------------------------|---------------------|
| side | 9 | 96 sts |
| ~ | ~ | work even |
| 1 | 96 sts | |
| 1 | 96 sts (sc tbl) | |
| top | 16 | 96 sts |
| 15 | 90 sts | +6 sts per round |
| 14 | 84 sts | |
| 13 | 78 sts | |
| 12 | 72 sts | |
| 11 | 66 sts | |
| 10 | 60 sts | |
| 9 | 54 sts | |
| 8 | 48 sts | |
| 7 | 42 sts | |
| 6 | 36 sts | |
| 5 | 30 sts | |
| 4 | 24 sts | |
| 3 | 18 sts | |
| 2 | 12 sts | |
| 1 | 6 sts (work into magic ring) | |



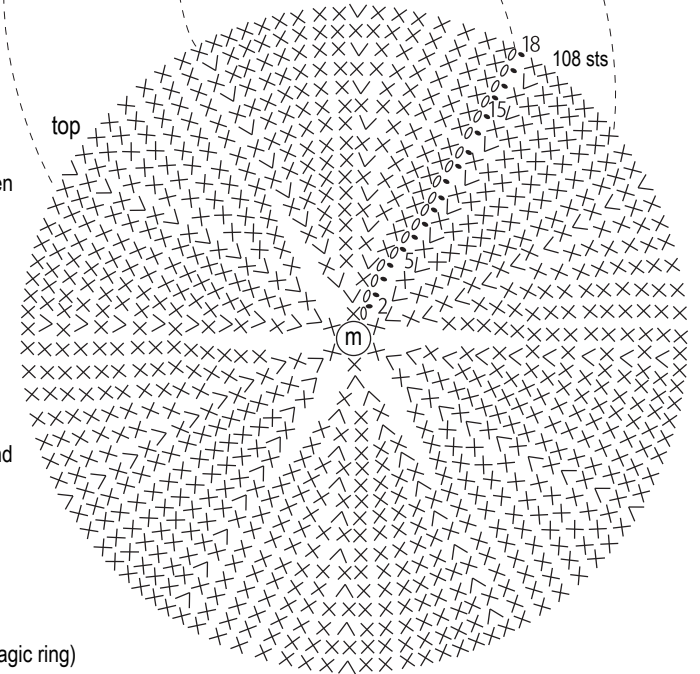
Ladies' size: top & sides

3.5mm hook, Amian color #08 brown/beige



Ladies' top & sides

| round no. | stitch count | |
|-----------|------------------------------|---------------------|
| side | 14 | 108 sts |
| ~ | ~ | work even |
| 1 | 108 sts | |
| 1 | 108 sts (sc tbl) | |
| top | 18 | 108 sts |
| 17 | 102 sts | +9 sts per round |
| 16 | 96 sts | |
| 15 | 90 sts | |
| 14 | 84 sts | |
| 13 | 78 sts | |
| 12 | 72 sts | |
| 11 | 66 sts | |
| 10 | 60 sts | |
| 9 | 54 sts | |
| 8 | 48 sts | |
| 7 | 42 sts | |
| 6 | 36 sts | |
| 5 | 30 sts | |
| 4 | 24 sts | |
| 3 | 18 sts | |
| 2 | 12 sts | |
| 1 | 6 sts (work into magic ring) | |



Brim

3.5mm hook

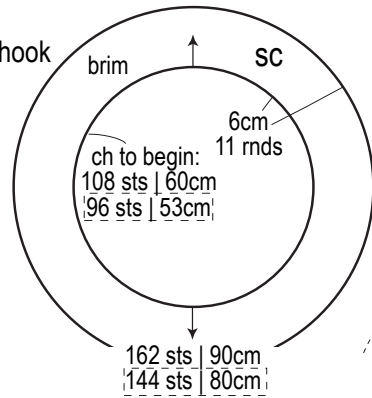
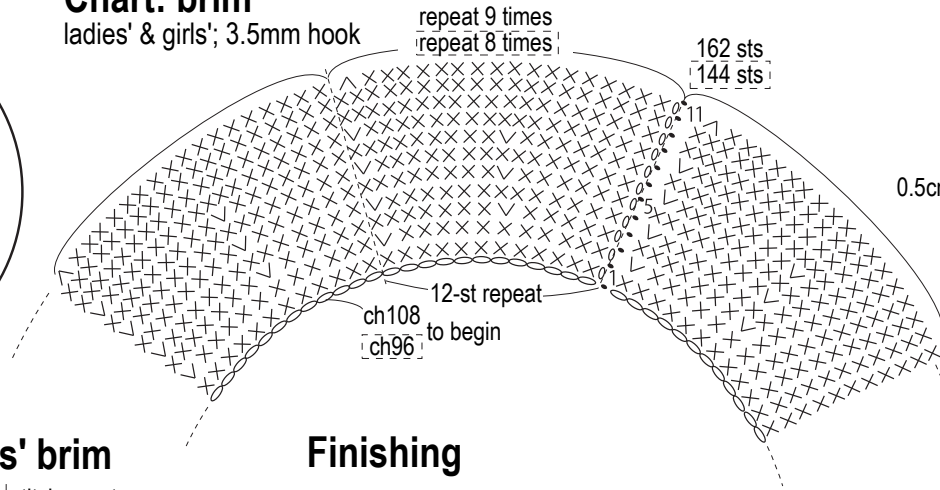


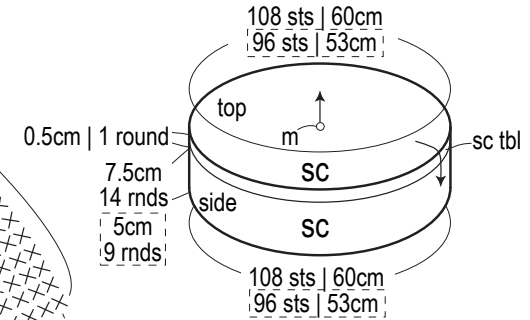
Chart: brim

ladies' & girls'; 3.5mm hook



Top & sides

3.5mm hook



Ladies' brim

| round no. | stitch count |
|-----------|--------------|
| 11 | 162 sts (-9) |
| 10 | 171 sts |
| 9 | 171 sts |
| 8 | 171 sts |
| 7 | 162 sts |
| 6 | 153 sts |
| 5 | 144 sts |
| 4 | 135 sts |
| 3 | 126 sts |
| 2 | 117 sts |
| 1 | 108 sts |

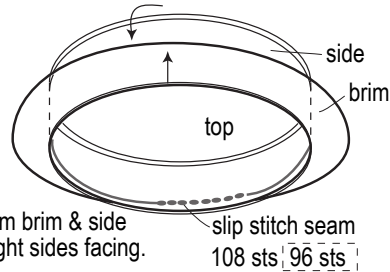
work even
+9 per round
ch108 to begin

Girls' brim

| round no. | stitch count |
|-----------|--------------|
| 11 | 144 sts (-8) |
| 10 | 152 sts |
| 9 | 152 sts |
| 8 | 152 sts |
| 7 | 144 sts |
| 6 | 136 sts |
| 5 | 128 sts |
| 4 | 120 sts |
| 3 | 112 sts |
| 2 | 104 sts |
| 1 | 96 sts |

work even
+8 per round
ch96 to begin

Finishing



*Seam brim & side with right sides facing.

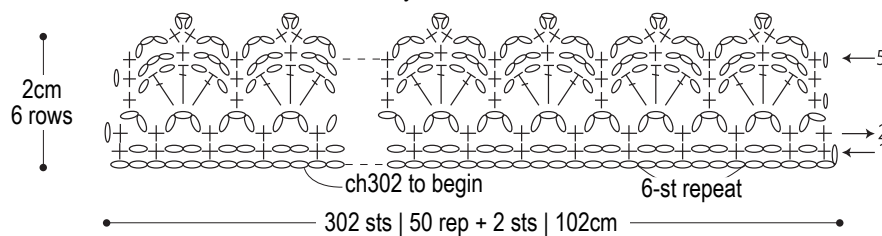
— = slip stitch seam

kids' size = []

Where not otherwise indicated, instructions refer to both sizes.

Ladies' edging

2.0mm hook, New Cotton Lace #20, color #202 ivory

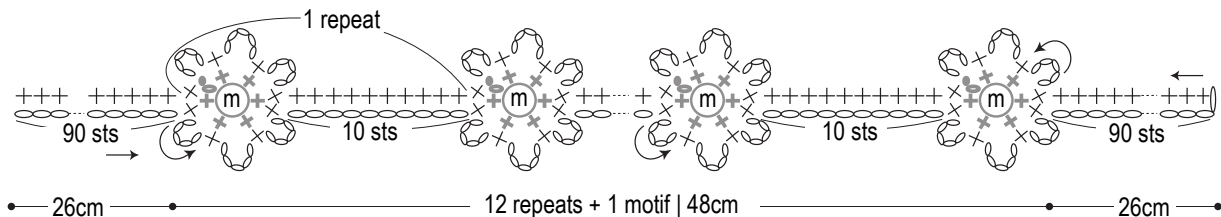


Girls' edging

2.0mm hook, New Cotton Lace #20

— = #202 ivory
— = #205 yellow green

round motif: make 13



Finished hat

