

# 212fw-24 Uzumaki Tawashi



## Suggested yarn:

• Pierrot Yarns Zakka Acrylic Namibuto [100% antibacterial deodorant acrylic; 77 yds/70m per 0.88 oz./25g skein];

### • version A:

- color #13 fresh green, 1 skein [5g]
- color #16 poppy, 1 skein [5g]
- color #17 vanilla beige, 1 skein [15g]

### • version B:

- color #5 rose pink, 1 skein [5g]
- color #7 light grape, 1 skein [5g]
- color #3 pink, 1 skein [15g]

### • version C:

- color #15 yellow, 1 skein [5g]
- color #19 light brown, 1 skein [5g]
- color #11 sky blue, 1 skein [15g]

## Tools/Notions:

- 4.5mm (US 7) knitting needles or size necessary to achieve gauge
- 5.0mm (US H) crochet hook or size necessary to achieve gauge

## Finished measurements:

- Please see schematics.

## Gauge (10cm/4" square):

- garter stitch: 15 sts and 15 rows

*Gauge may vary according to individual knitting style. Change needle size if necessary to achieve gauge. Alternatively, rework pattern with your own gauge measurements.*

## Knitting Tips

Cast on with long-tail cast-on method. Work in garter stitch, decreasing and increasing as indicated in chart. Bind off by working purl stitches. With wrong sides facing each other, seam cast-on edge and bind-off edges with whipstitch. At each side, pick up stitches and cinch tightly shut, binding each side off at the center. Use crochet hook to crochet a loop.

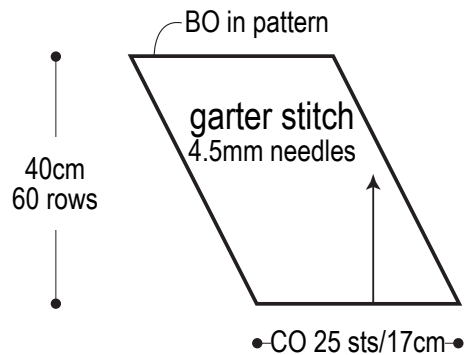
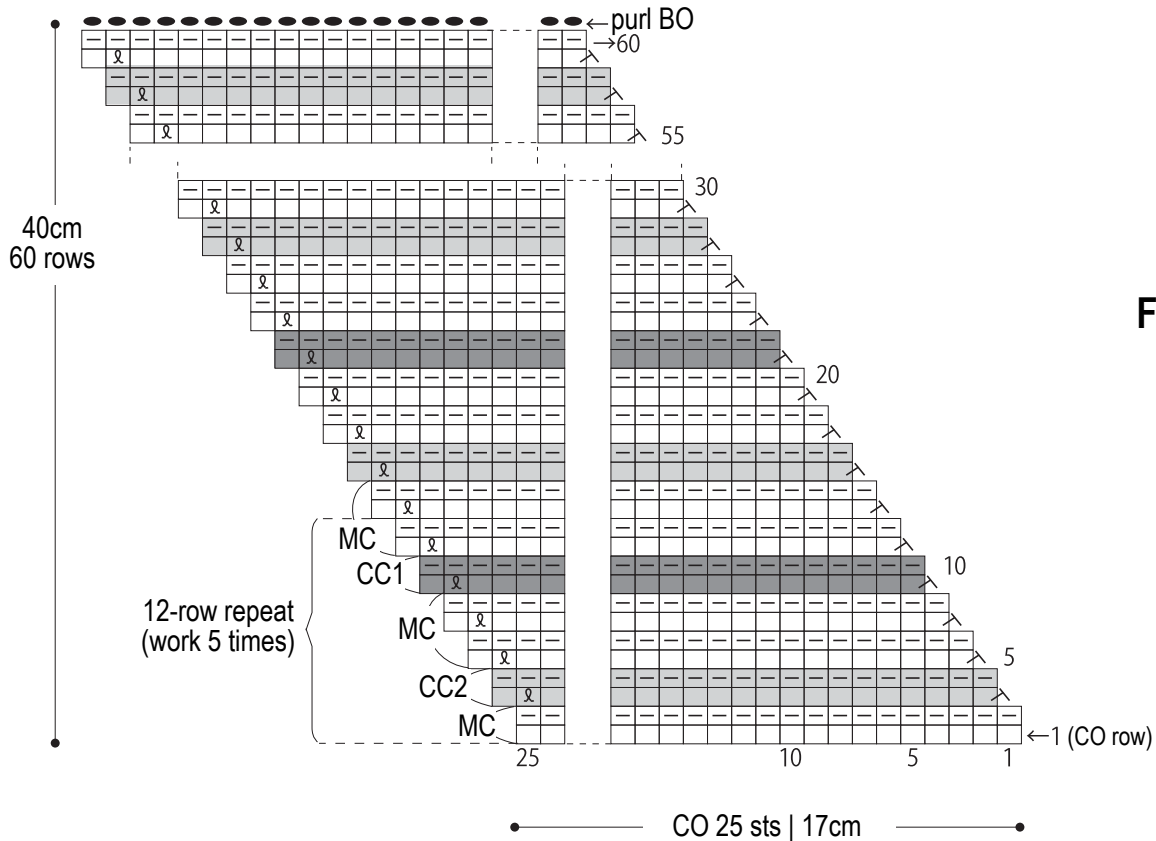
## Abbreviations:

BO = bind off

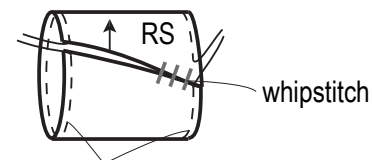
ch = chain

CO = cast on

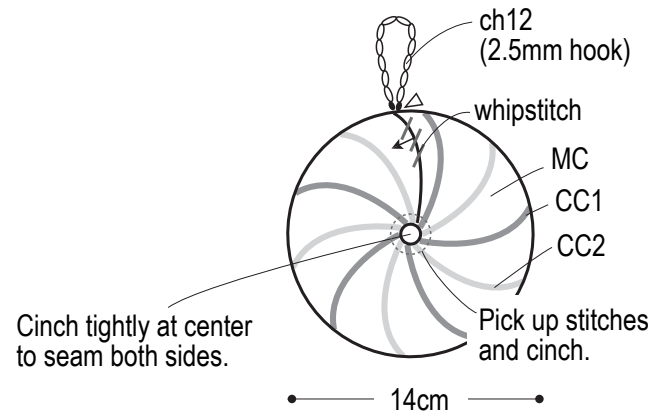
# Tawashi (4.5mm needles)



## Finishing



Pick up stitches and cinch ends shut.



## Color sequences & amounts

	version A	version B	version C
CC1	#13 spring green (5g)	#5 rose pink (5g)	#15 yellow (5g)
CC2	#16 poppy (5g)	#7 light grape (5g)	#19 light brown (5g)
MC	#17 vanilla beige (15g)	#3 pink (15g)	#11 sky blue (15g)