

# 211w-09 Simple Hooded Poncho



## Suggested yarn:

- Pierrot Yarns Soft Merino [100% merino wool; 104 yds/95m per 1.41 oz./40g skein]; color #11 gray, 21 skeins [840g]
- Pierrot Yarns Yuyake no Sora [100% wool; 427 yds/390m per 3.53 oz./100g hank]; color #105 gray gradation, 2 hanks [175g]

## Tools/Notions:

- 4.5mm (US 7) straight knitting needles or size necessary to achieve gauge
- 4.5mm (US 7) double-pointed knitting needles or size necessary to achieve gauge
- 3.0mm (approx. US C or D) crochet hook or size necessary to achieve gauge

## Finished measurements:

- width 141cm/55.51"
- length 72.5cm/28.54"

## Gauge (10cm/4" square):

- stockinette stitch: 21 sts and 28 rows

*Gauge may vary according to individual knitting style. Change needle size if necessary to achieve gauge. Alternatively, rework pattern with your own gauge measurements.*

## Knitting Tips

※When working with Soft Merino, use 1 strand of yarn. When working with Yuyake no Sora, use 2 strands of yarn held together.

**Left & right body:** Cast on with long-tail cast-on method and work in stockinette stitch. In order to work cuff openings at the same time as the body, split and work each side separately where shown. Bind off 23 stitches for neckline, then on next row, work 23 stitches into crochet chain (made earlier for this purpose). Using mattress stitch, seam left and right backs until neckline and front until front neckline. Work 1 round of single crochet (US) edging around entire outer edge.

**Hood:** Pick up stitches from body and work, increasing and decreasing as shown. Bind off by placing right sides together and working slip stitch seam.

**Finishing:** Continuing from front V-neck area, work single crochet (US) edging around hood edge in the round. Also work single crochet (US) edging around arm openings.

## Abbreviations:

BO = bind off

ch = chain

CO = cast on

OH = on hold (i.e., place on stitch holder)

PU = pick up

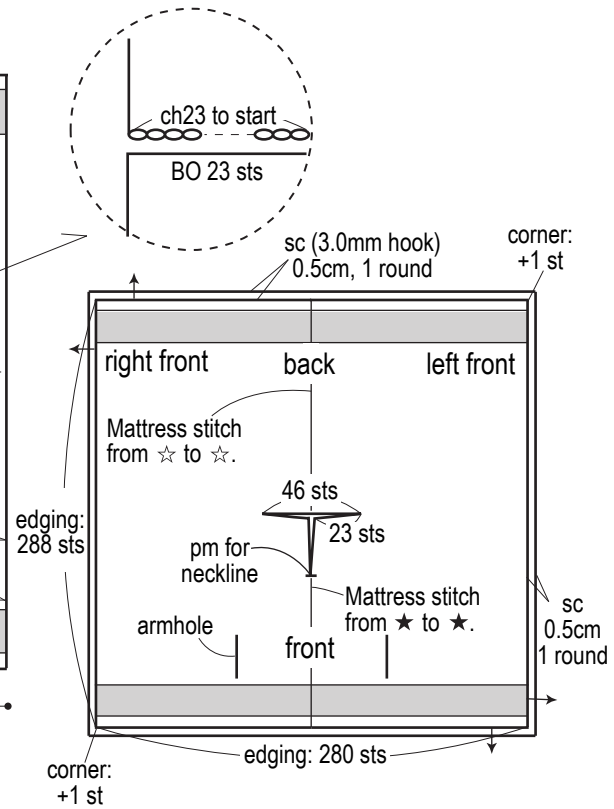
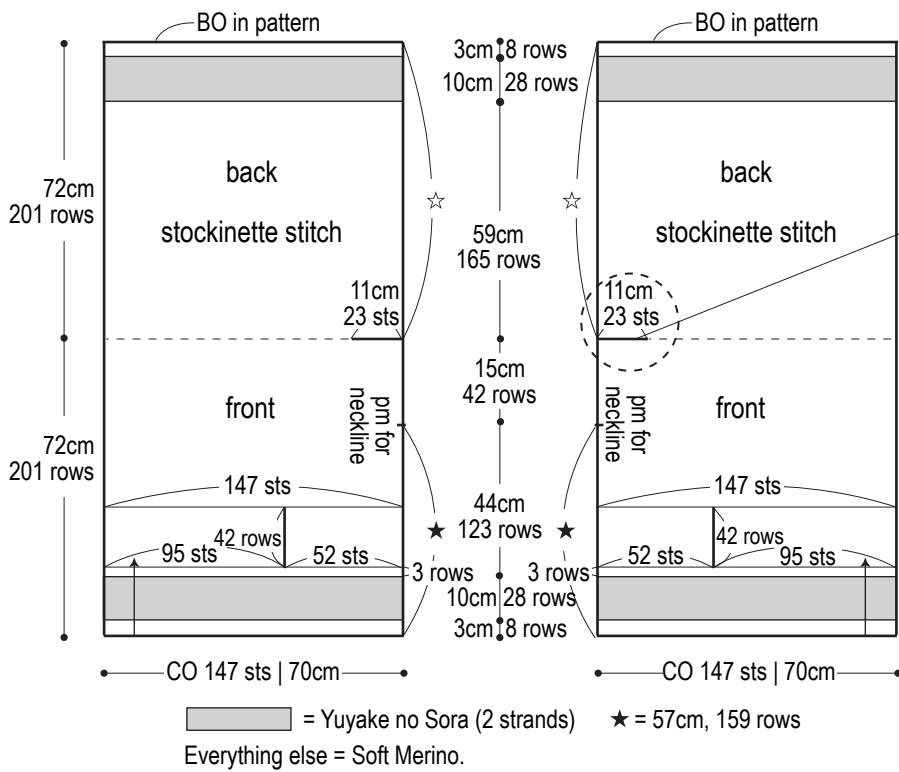
RE = row(s) even

sc = single crochet (US)

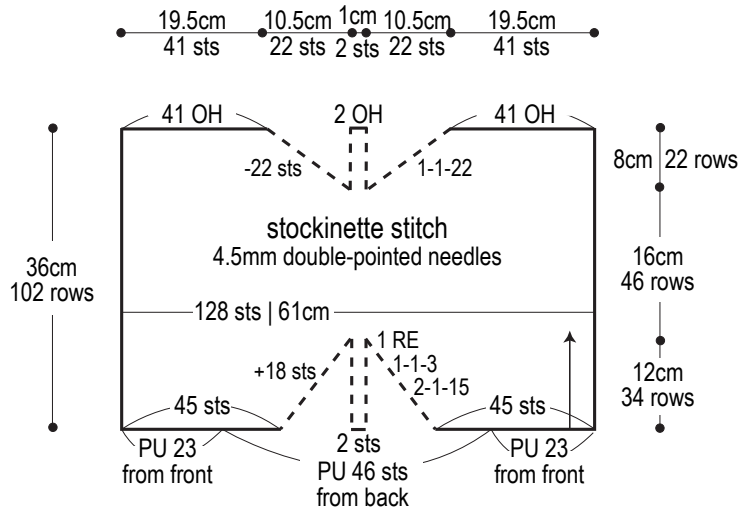
### = rows-stitches-times

## Right body (4.5mm needles)

## Left body (4.5mm needles)



## Hood



## Finishing

