

amicomo7-7 Mini Basket



Suggested yarn:

- Pierrot Yarns Zakka Wool [100% wool; 75 yds/69m per 1.41 oz./40g skein];
 - version A: color #12 deep Nile green, 1 skein [15g]
 - version B: color #8 red crimson, 1 skein [15g]

Tools/Notions:

- 3.5mm (US E) crochet hook or size necessary to achieve gauge
- 2 pieces of ribbon (1cm/0.39" wide, 30cm/11.81" long)

Finished measurements:

- Refer to schematics.

Gauge (10cm/4" square):

- pattern stitch: 17 sts and 15 rows

Gauge may vary according to individual crochet style. Change hook size if necessary to achieve gauge. Alternatively, rework pattern with your own gauge measurements.

Crochet Tips

Bottom: Work chain to begin. Crochet, increasing as shown in chart.

Sides: Work one round of back post sc (US) into round 5 of bottom. Work in pattern stitch. Work 1 round of edging.

Finishing: Crochet handles, and seam to basket where indicated. Thread ribbon through basket as shown on schematic, then seam end together on inside of basket.

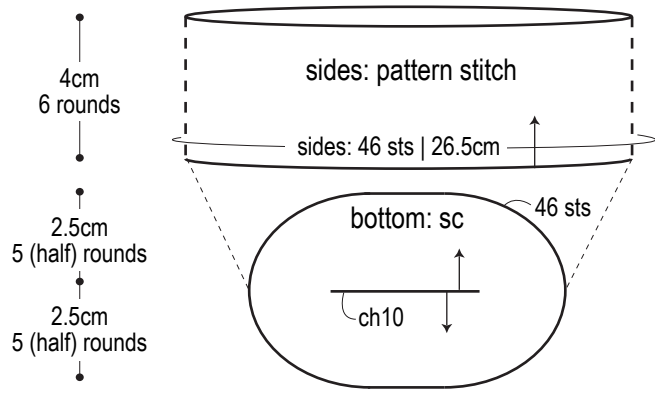
Abbreviations:

bpsc = back post single crochet (US)

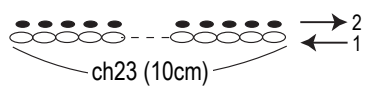
ch = chain

sc = single crochet (US)

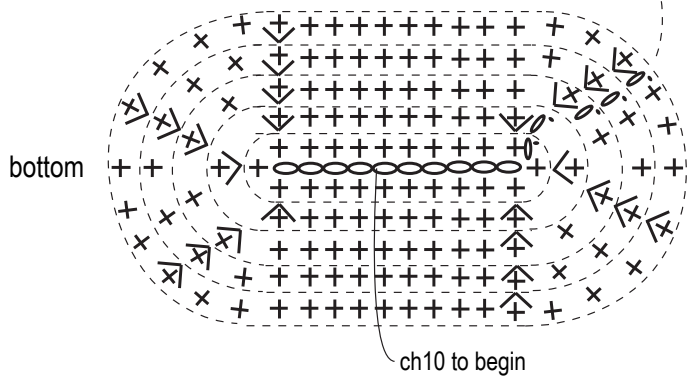
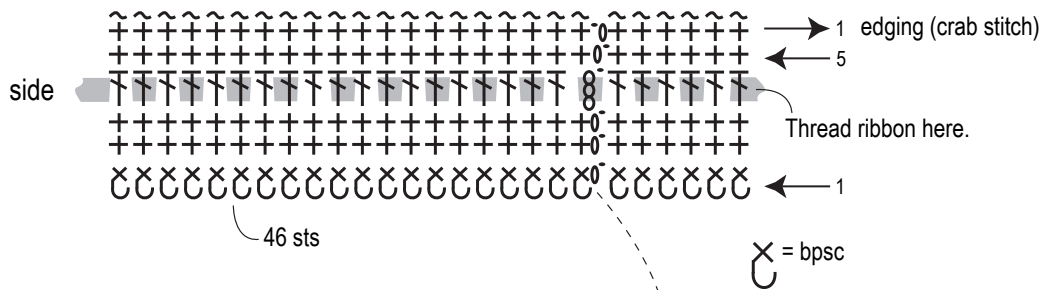
Mini basket schematic (3.5mm hook)



Handle (3.5mm hook)



Mini basket instructions (3.5mm hook)



*Work first round of side (bpsc) into round 5 of bottom.

Bottom

round #	stitch count
5	46 sts
4	40 sts
3	34 sts
2	28 sts
1	22 sts

+6 sts per round

ch10 to begin

Finishing

