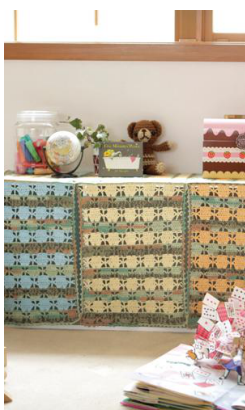


amicomo8-4 Color Box Curtains



Suggested yarn:

- Pierrot Yarns Celeste [45% cotton, 40% wool, 15% nylon; 208 yds/190m per 1.76 oz./50g skein]; color #07 peach/khaki/mint, 3 skeins [105g]
- Pierrot Yarns Tre [100% cotton; 98 yds/90m per 1.06 oz./30g skein];
 - color #2 vanilla cream, 2 skeins [60g]
 - color #3 honey apricot, 3 skeins [65g]
 - color #7 aqua, 2 skeins [60g]

Tools/Notions:

- 2.5mm (approx. US B or C) crochet hook or size necessary to achieve gauge

Finished measurements:

- overall width 90cm/35.43"
- depth 34cm/13.39"
- length 40.5cm/15.94"

Gauge (10cm/4" square):

- pattern stitch: 28 sts and 12.5 rows

Gauge may vary according to individual crochet style. Change hook size if necessary to achieve gauge. Alternatively, rework pattern with your own gauge measurements.

Crochet Tips

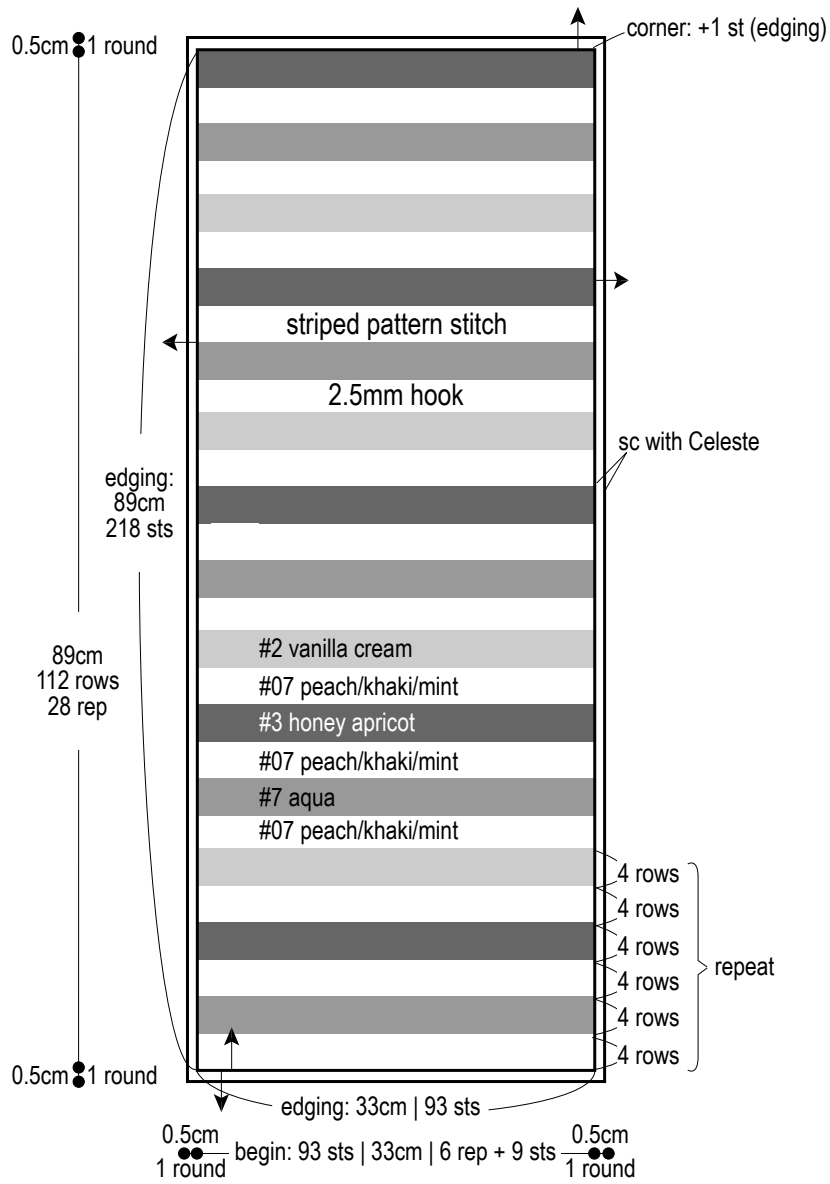
Make chain to begin. Working in pattern stitch, crochet 1 large panel and 3 small panels. Work single crochet (US) edging around large panel in the round. Work single crochet (US) edging along 3 sides of each small panel. Using Celeste, seam small panels to large panel with single crochet and with wrong sides facing each other.

※Refer to schematics for color sequence.

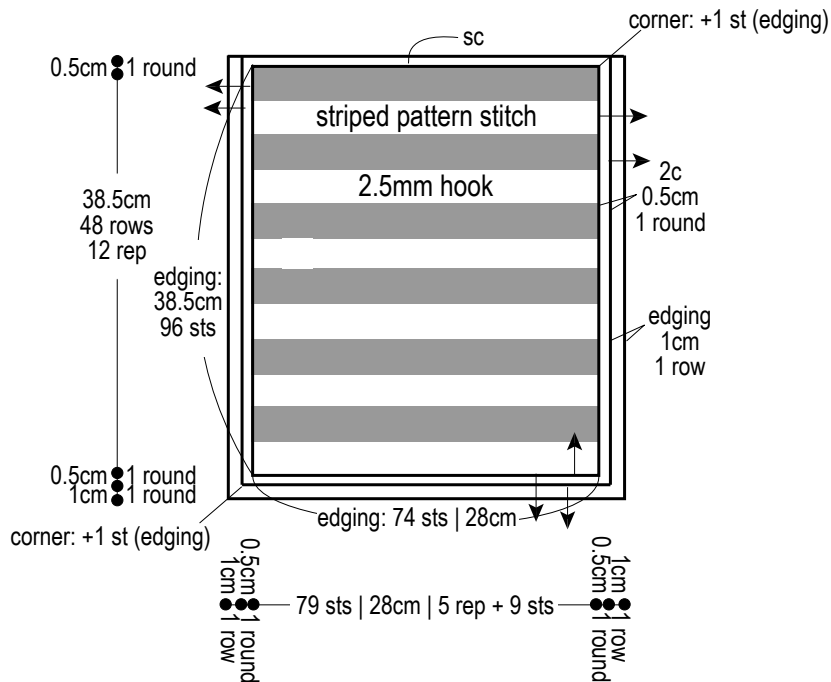
Abbreviations:

ch = chain
rep = repeat(s)
sc = single crochet (US)

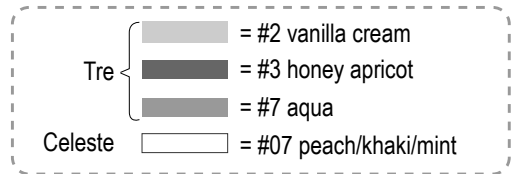
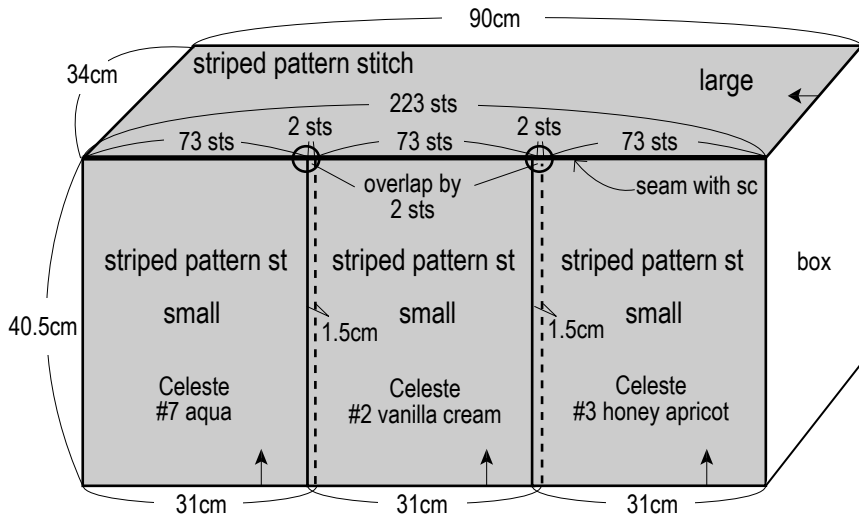
Large panel
(make 1)



Small panel
(make 3 in different colors)

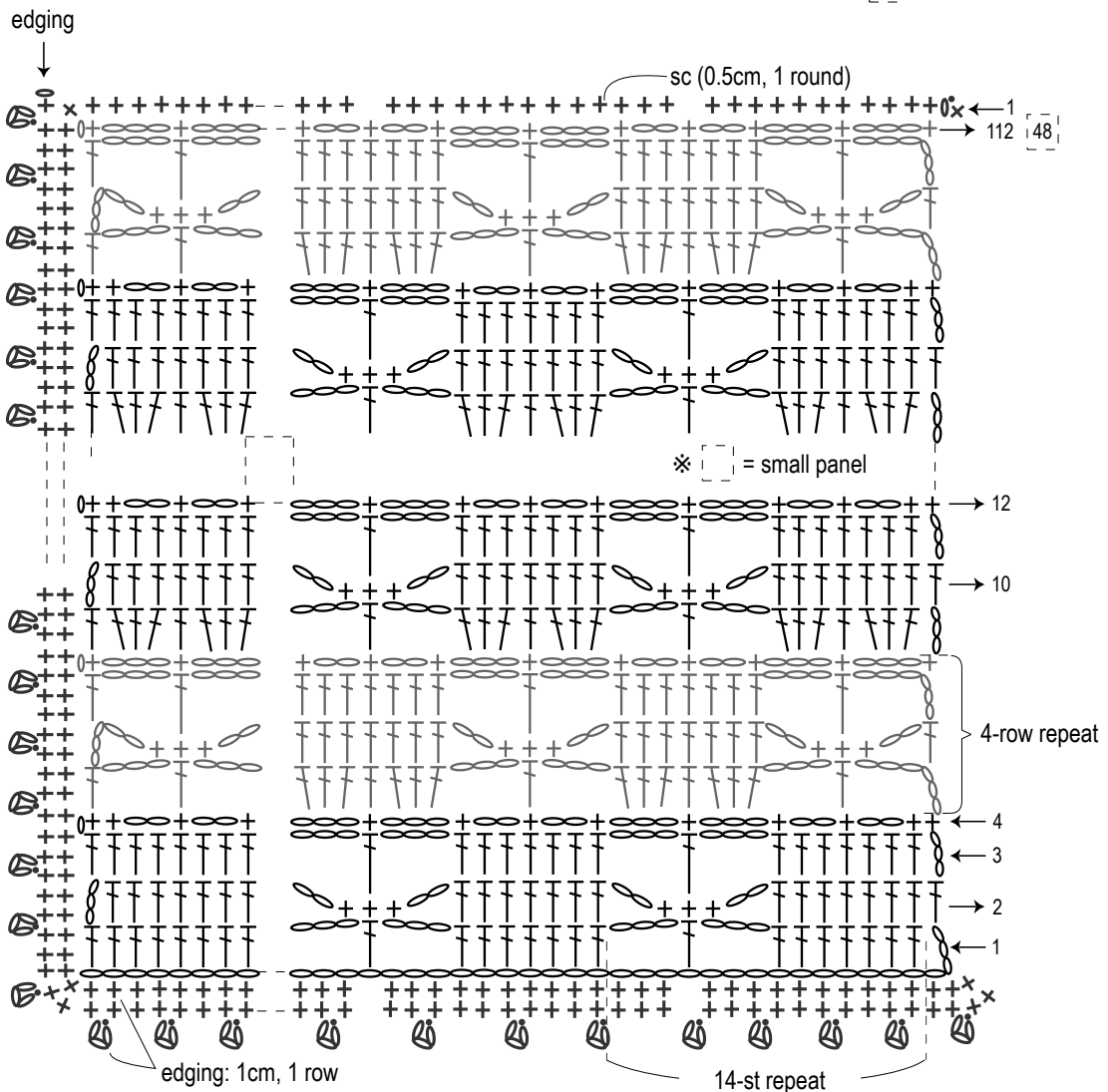


Finishing



Pattern stitch & edging (2.5mm hook)

☐ = small panel



*Work edging on small panels only.