

28-32 Girl's Cape



Suggested yarn:

- Pierrot Yarns UV Cut Baby [100% cotton; 93 yds/85m per 0.88 oz./25g skein]; color #3 baby pink, 6 skeins [150g]

Tools/Notions:

- 2.3mm (approx. US B) and 2.5mm (approx. US C or D) crochet hooks or sizes necessary to achieve gauge

Finished measurements:

- neck circumference 42cm/16.54"
- length 29.5cm/11.61"

Gauge (10cm/4" square):

- pattern stitch A: 30 sts and 15 rows

Gauge may vary according to individual crochet style. Change hook size if necessary to achieve gauge. Alternatively, rework pattern with your own gauge measurements.

Crochet Tips

Body of cape: Chain to make foundation row (working into bottom loops of chain). Starting from neckline, work in pattern stitches A, B, C and D towards hem. Work edging ① from front edge. With wrong side of cape facing you, work collar by working stitches into foundation row. Work collar in pattern stitches A, E and C. Work edging ② along outer edge.

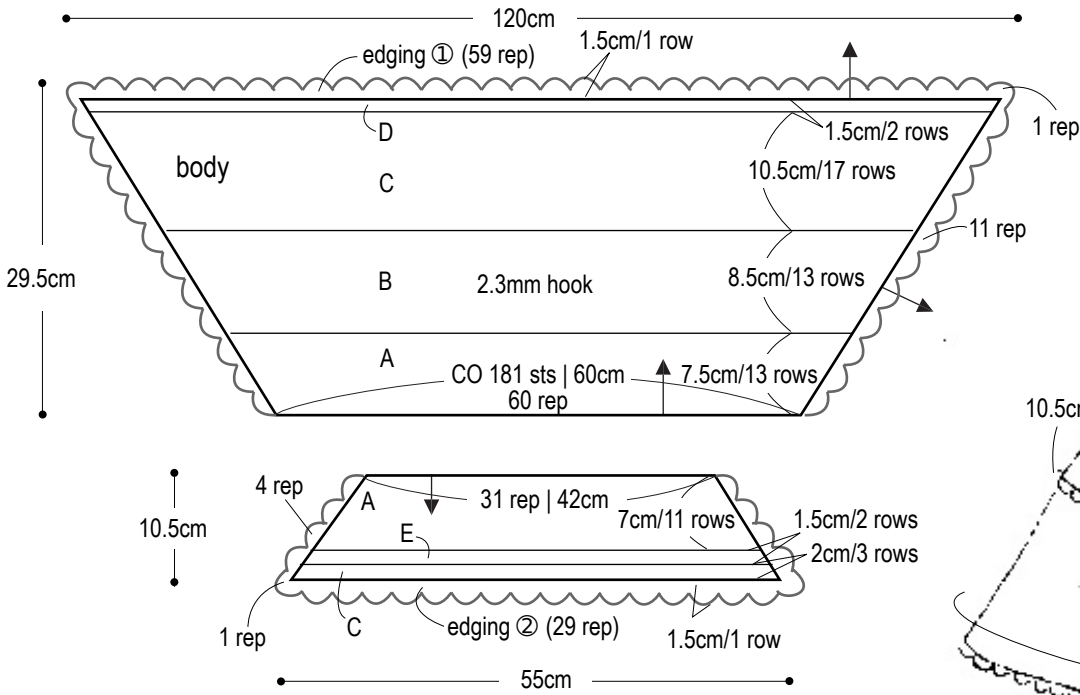
Cord: Crochet using 2 strands of yarn held together. After threading through cape, attach end decoration.

Abbreviations:

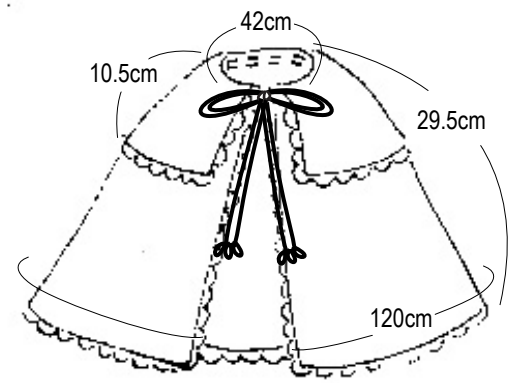
ch = chain

rep = (pattern) repeat(s)

Cape

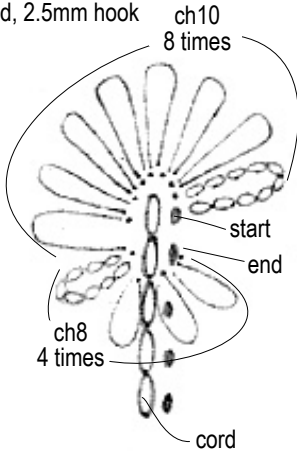


Finishing



Cord decoration

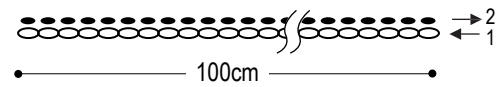
1 strand, 2.5mm hook



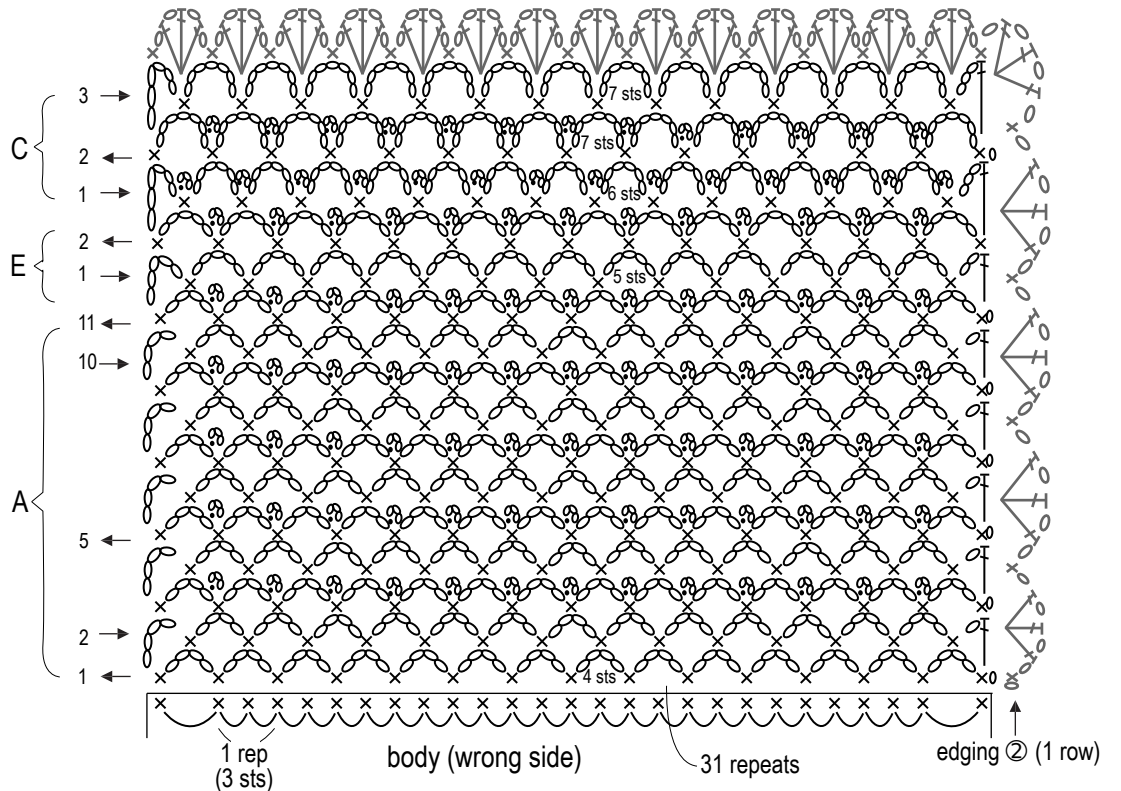
※ Crochet decoration onto end of cord after threading through cape.

Cord (2.5mm hook)

Work with 2 strands held together.



Collar instructions



Body of cape instructions

