

211w-05 Double-breasted Poncho



Suggested yarn:

- Pierrot Yarns Soft Merino [100% merino wool; 104 yds/95m per 1.41 oz./40g skein]; color #10 navy, 16 skeins [630g]

Tools/Notions:

- 3.3mm (approx. US 3) and 3.9mm (approx. US 6) straight knitting needles or sizes necessary to achieve gauge
- 3.3mm (approx. US 3) double-pointed knitting needles or size necessary to achieve gauge
- 3.0mm (approx. US C or D) crochet hook or size necessary to achieve gauge
- 6 shank buttons (10mm/0.39")
- 2 flat buttons (10mm/0.39")

Finished measurements:

- length 70cm/27.56"

Gauge (10cm/4" square):

- stockinette stitch: 20 sts and 27 rows
- k2p2 ribbing: 34 sts and 29 rows

Gauge may vary according to individual knitting style. Change needle size if necessary to achieve gauge. Alternatively, rework pattern with your own gauge measurements.

Knitting Tips

Front and back; front placket: Cast on with long-tail cast-on method. Work in stockinette stitch, pattern stitch A, and pattern stitch A'. Increase using backwards loop cast-on. Make 1 front placket, 1 right front, 1 right back, 1 left front, and 1 left back.

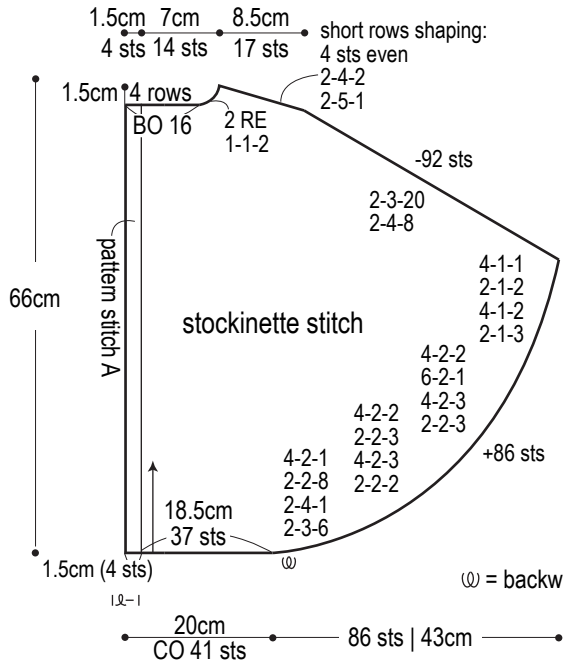
Hem: Cast on with long-tail cast-on method and work in k2p2 ribbing.

Finishing: Seam center back with mattress stitch. Seam front placket to front body with mattress stitch as well. With right sides facing, seam front and back together with slip stitch. Pick up stitches around neckline; work collar in k2p2 ribbing in the round. Bind off in pattern. Seam hem to body with rows-to-stitches seam. Attach buttons.

Abbreviations:

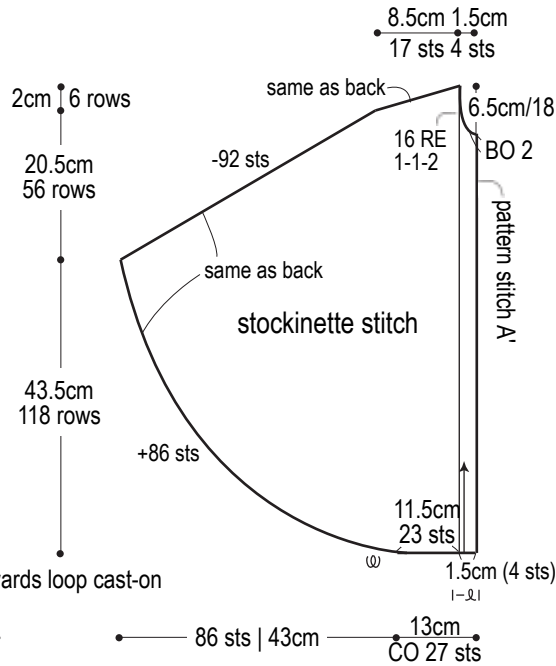
- BO = bind off
- CO = cast on
- PU = pick up
- RE = row(s) even
- ### = rows-stitches-times

Right back (3.9mm needles)



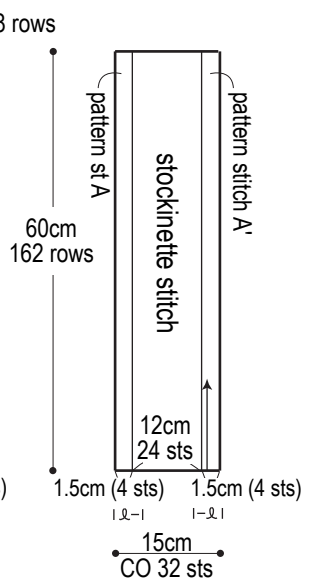
※Work left back in mirror image to right back.
(Substitute pattern stitch A' for A.)

Right front (3.9mm needles)

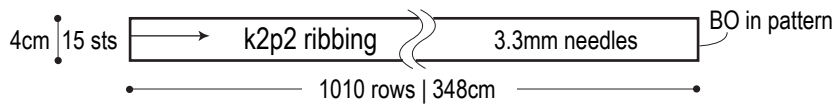


※Work left front in mirror image to right front.
(Substitute pattern stitch A for A'.)

Front placket (3.9mm needles)

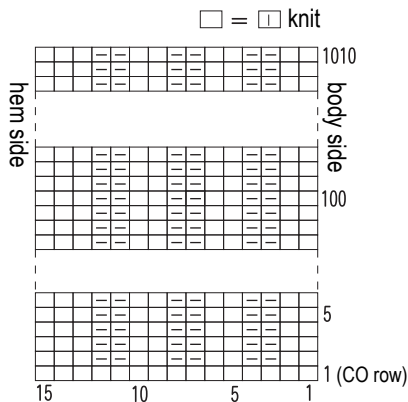


Hem

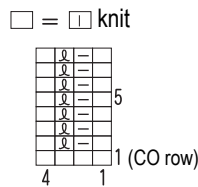


※Seam cast-on row and bind-off row of hem with woven seam.

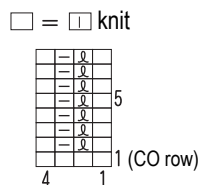
Hem (3.3mm needles)



Pattern stitch A (3.9mm needles)



Pattern stitch A' (3.9mm needles)



Finishing

