

# 210-36 Organic Receiving Blanket

## 210-18 Organic Stole



### Suggested yarn:

- Pierrot Yarns Pastel Organic [100% organic cotton; 77 yds/70m per 0.88 oz./25g skein];
  - blanket:
    - color #51 ivory, 9 skeins [205g]
    - color #57 rose pink, 9 skeins [215g]
  - stole:
    - color #55 mint green, 7 skeins [175g]

### Tools/Notions:

- 3.5mm (US E) crochet hook or size necessary to achieve gauge

### Finished measurements:

- blanket:
  - height 97cm/38.19"
  - width 94cm/37.01"
- stole:
  - height 150cm/59.06"
  - width 24cm/9.45"

### Gauge (10cm/4" square):

- pattern stitch: 20.5 sts and 11.5 rows

*Gauge may vary according to individual crochet style. Change hook size if necessary to achieve gauge. Alternatively, rework pattern with your own gauge measurements.*

### Crochet Tips

※Instructions for blanket and stole are identical.

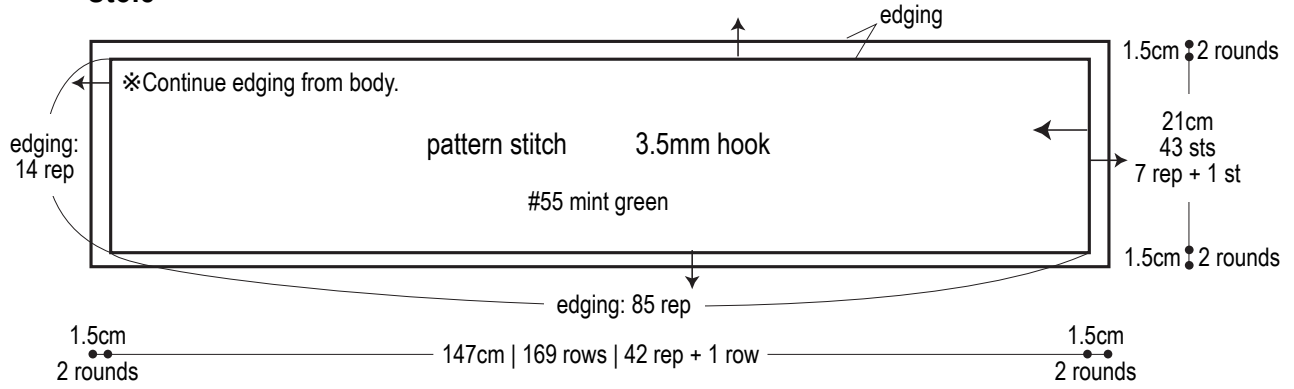
**Blanket:** Chain 187 (*not* including any chains needed for turning post) and work in pattern stitch. Change color every 4 rows. Work 2 rounds of edging around entire outer edge using #57 rose pink.

**Stole:** Begin as for blanket and work in pattern stitch. Continue from body of stole to edging; work 2 rounds of edging around.

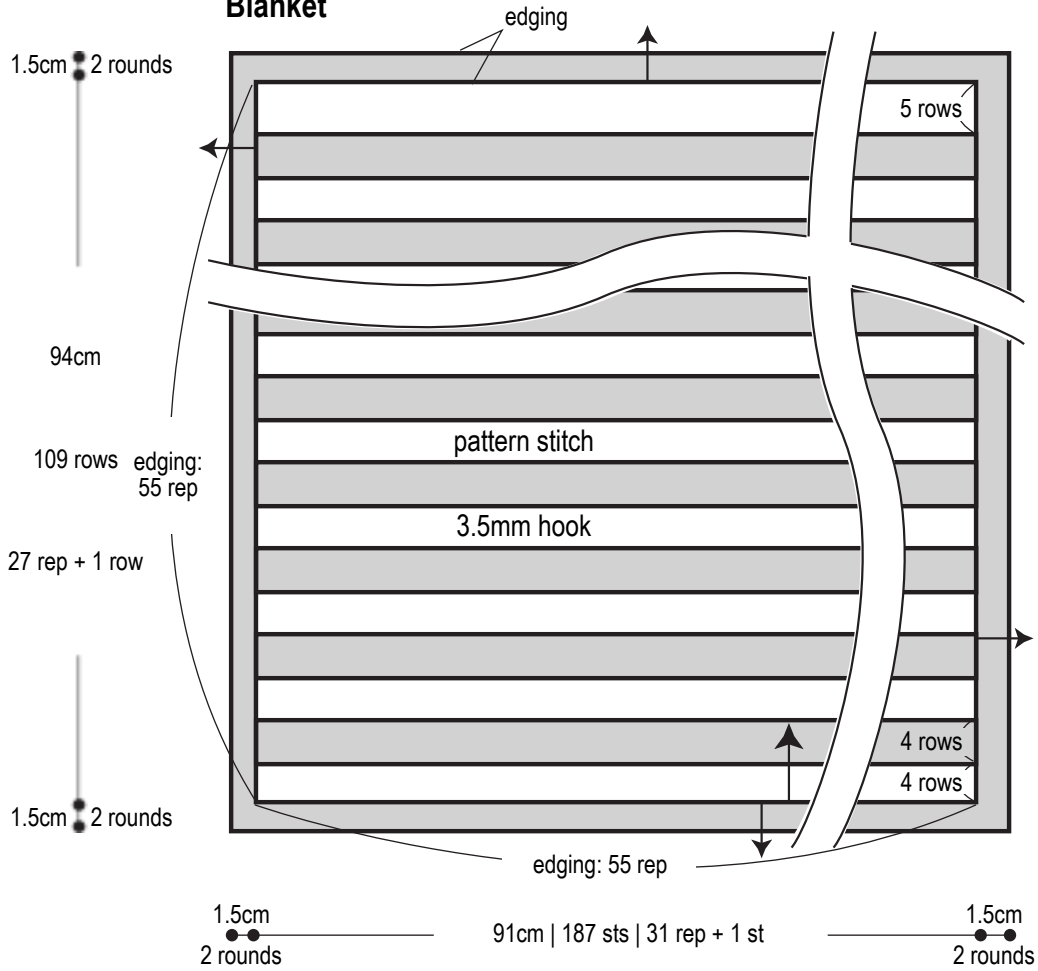
### Abbreviations:

rep = repeat(s)

## Stole



## Blanket



- = #51 ivory
- = #57 rose pink

