

26-8 Coordinate Vest



Suggested yarn:

- Pierrot Yarns Cotton Lillian [100% cotton; 101 yds/92m per 1.41 oz./40g skein]; color #1, 5 skeins [190g] - discontinued; please choose appropriate substitute.

Tools/Notions:

- 2.3mm (approx. US B) crochet hook or size necessary to achieve gauge

Finished measurements:

- bust 96cm/37.80"
- cross back width 50cm/19.69"
- length 48cm/18.90"

Gauge (10cm/4" square):

- pattern stitch: 3.3 pattern repeats and 5.5 rows

Gauge may vary according to individual crochet style. Change hook size if necessary to achieve gauge. Alternatively, rework pattern with your own gauge measurements.

Crochet Tips

Body: Crochet 1 motif. Starting from the second motif, join each motif together on the last round; make 8 motifs in total, forming a tube. Form loops with chain stitches and join to motifs with single crochet (US). Work pattern stitches to align with motif loops. Work front and back in a single piece back and forth in rows until bottom of sleeve openings. Start from sleeve openings, work front and back body separately. When working the final row of front shoulders, join them to back shoulders as shown.

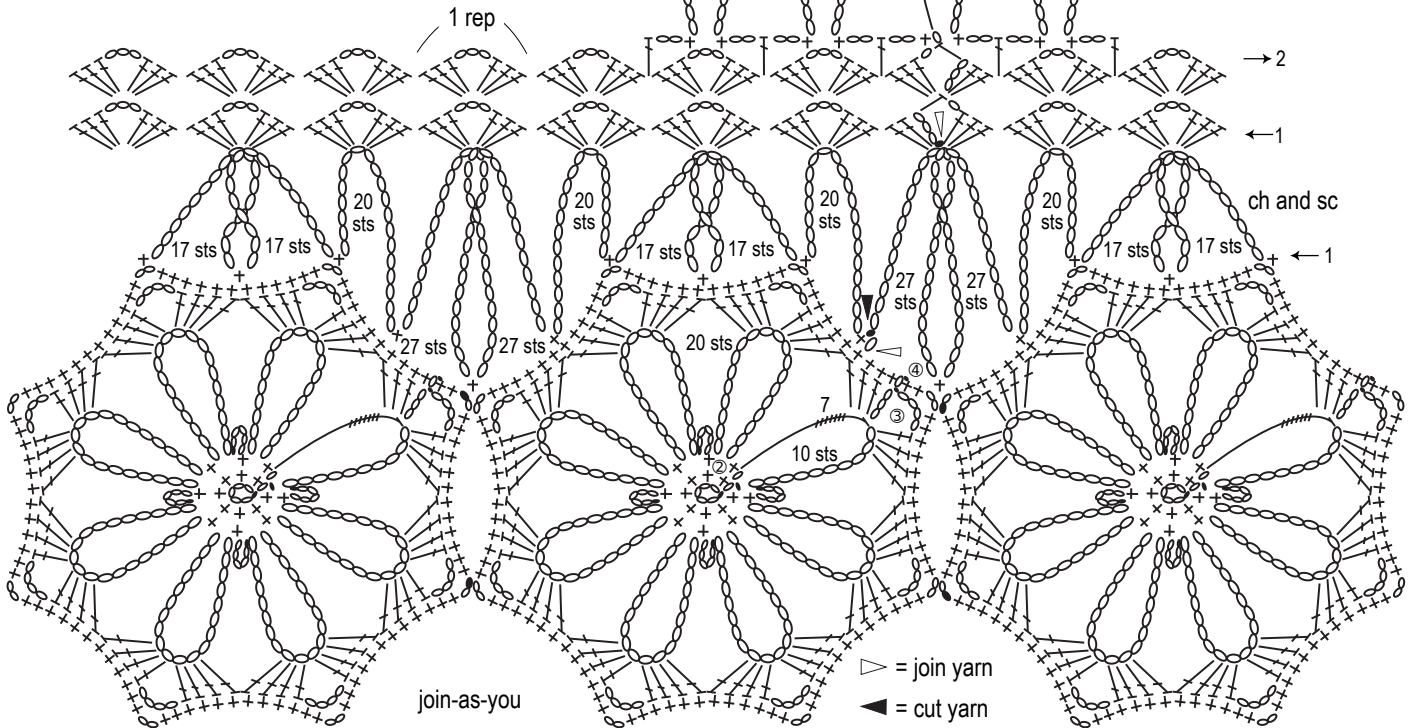
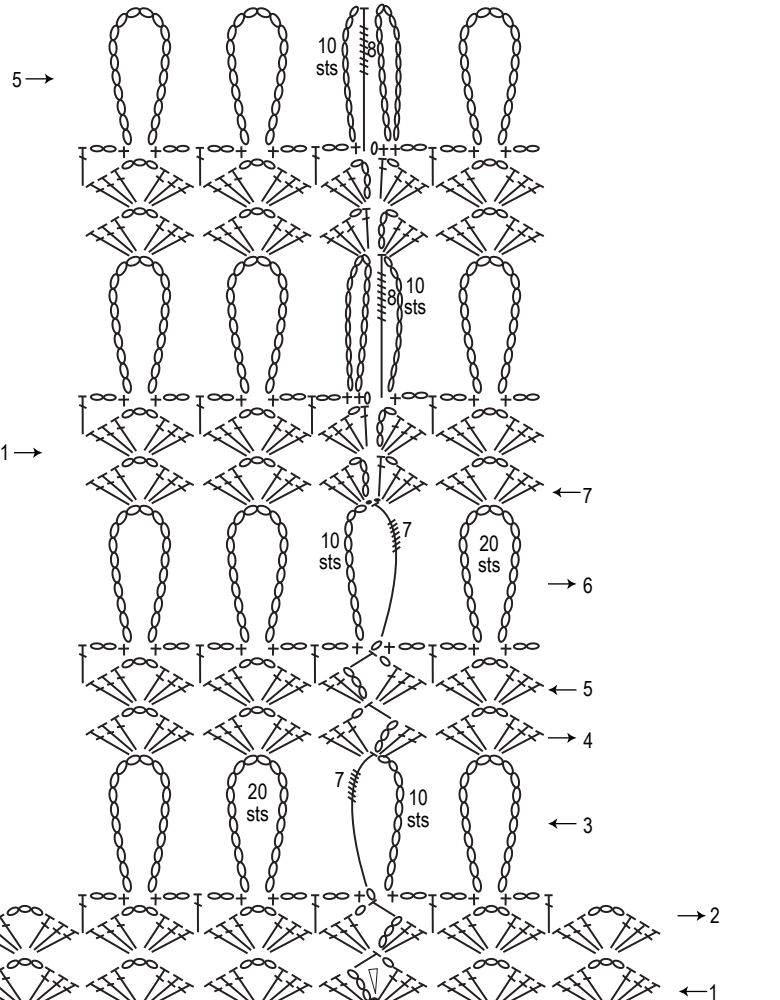
Finishing: Work edging A in the round around neckline. Work edging B in the round around each sleeve opening.

Abbreviations:

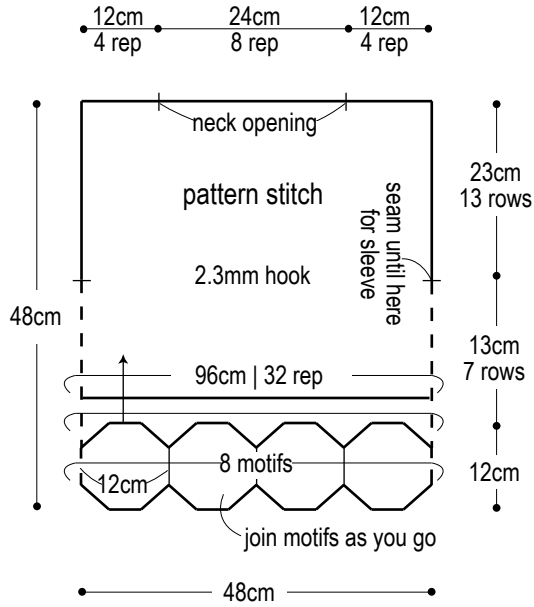
ch = chain
rep = (pattern) repeat
sc = single crochet (US)

Pattern stitch

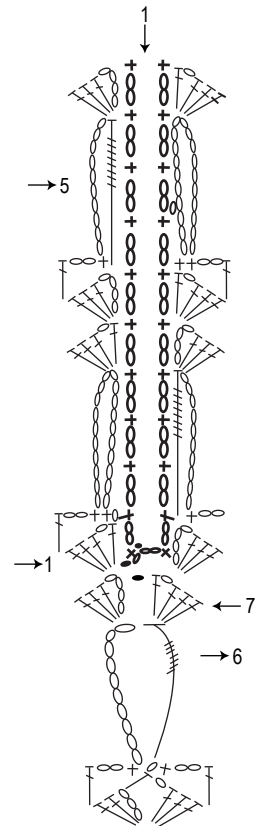
6 rows = 1 pattern repeat



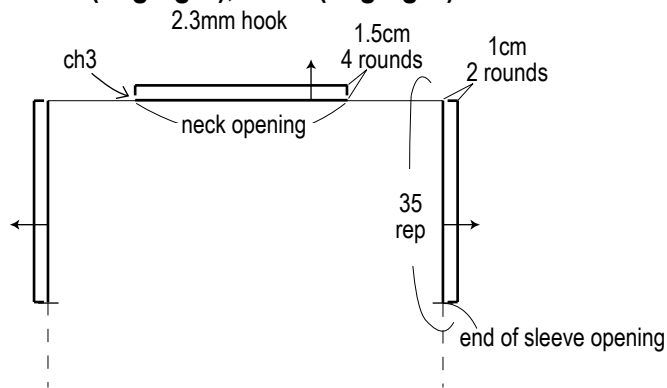
Back & front



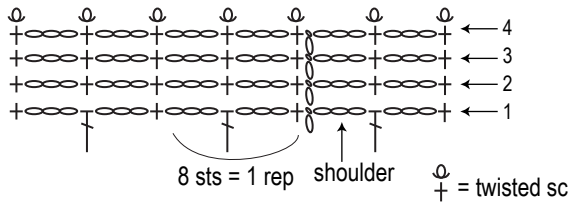
Arm edging (Edging B)



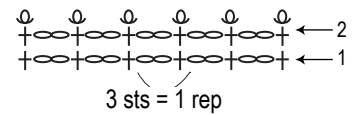
Collar (edging A), cuffs (edging B)



Edging A



Edging B



How to join shoulders; collar edging

