

28-26 Saratto UV Vest



Suggested yarn:

- Pierrot Yarns Saratto UV [60% acrylic, 40% cotton; 79 yds/72m per 1.06 oz./30g skein]; color #5 powder pink, 9 skeins [260g]

Tools/Notions:

- 3.0mm (approx. US C or D) crochet hook or size necessary to achieve gauge

Finished measurements:

- bust 90cm/35.43"
- length 48.5cm/19.09"

Gauge (10cm/4" square):

- pattern stitch: 20 sts and 10 rows

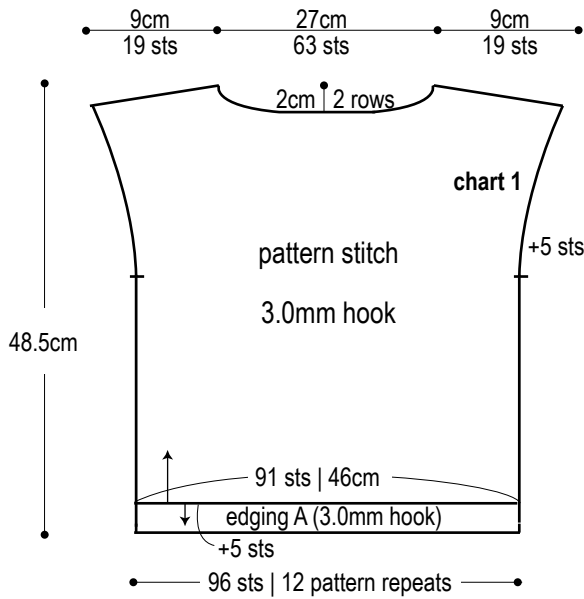
Gauge may vary according to individual crochet style. Change hook size if necessary to achieve gauge. Alternatively, rework pattern with your own gauge measurements.

Crochet Tips

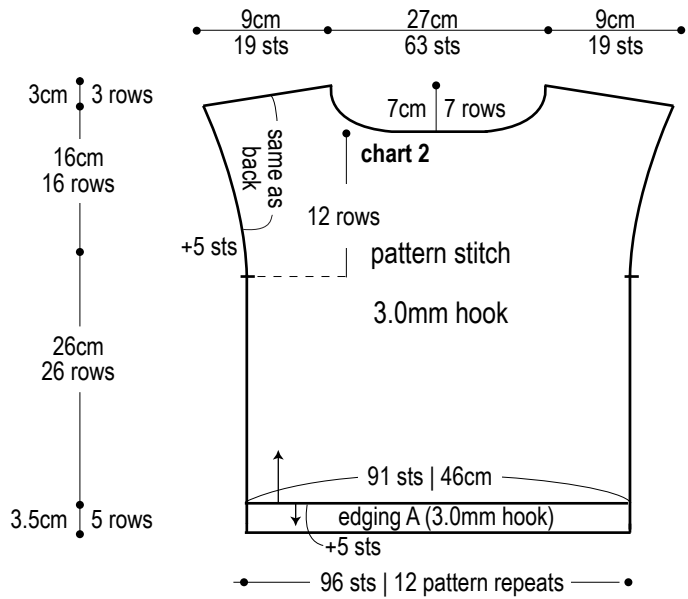
Body: Chain to cast on and - working in bottom loops of foundation chain - begin working in pattern stitch according to schematics.

Finishing: Seam shoulders with alternating chain-single crochet (US) seam or woven seam. Seam sides with alternating chain-single crochet (US) seam. Work edging A along hem. Work edging B along neckline and armholes.

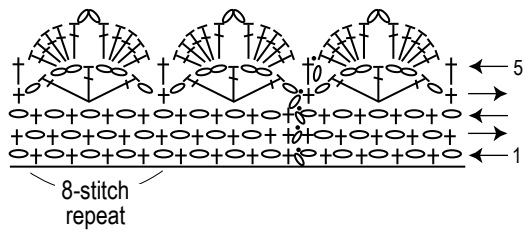
Back



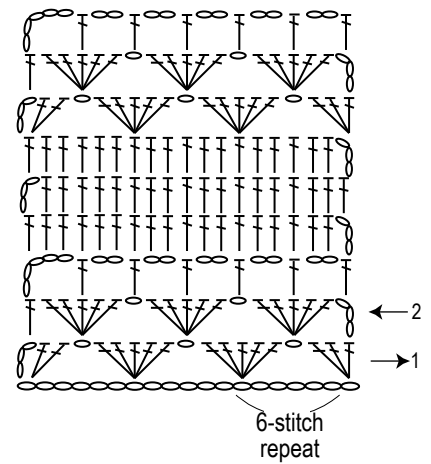
Front



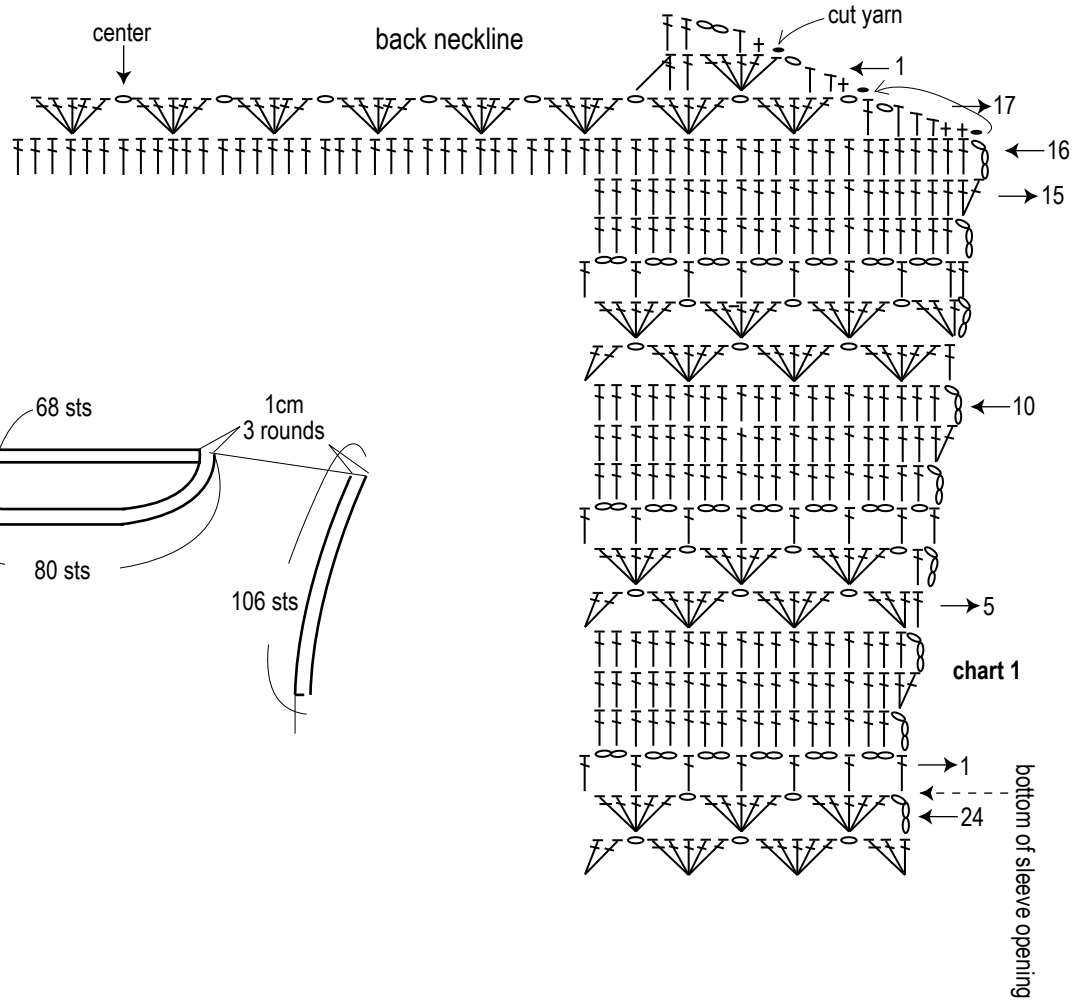
Edging A, B (3.0mm hook)



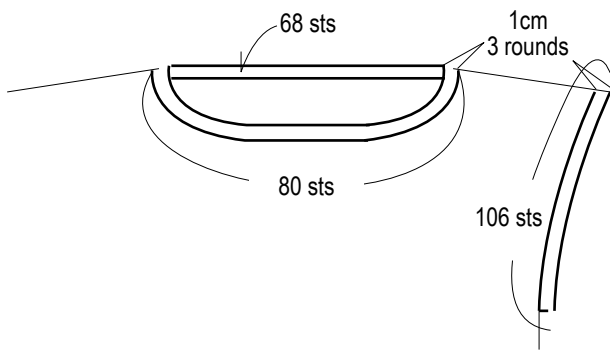
Pattern stitch (3.0mm hook)



Shoulder slope



Neckline & cuff
Pattern stitch B



Shoulder slope

