

# amicomo 8-2 Amian Basket



## Suggested yarn:

Pierrot Yarns Amian Space Dyed [100% Japanese paper; 94 yds/86m per 1.41oz./40g skein];

- version A: color #03 green/yellow/beige, 2 skeins [55g]
- version B: color #05 moss green/brown, 2 skeins [55g]
- version C: color #06 pink/white/beige, 2 skeins [55g]

## Tools/Notions:

3.0mm (approx. US C or D) crochet hook or size necessary to achieve gauge buttons:

- versions A and C: 4 buttons (20mm/0.79" diameter)
- version B: 4 buttons (21mm/0.83" diameter)

## Finished measurements:

circumference 51cm/20.08"  
depth 11cm/4.33"

## Gauge (10cm/4" square):

No gauge information is provided in the original pattern.

### Crochet Tips

**Bottom:** Create magic ring and work in single crochet (US) according to chart.

**Sides:** Continuing from bottom, work sides in single crochet (US), but work rounds 9-11 in pattern stitch A.

**Handles:** Chain foundation row, then work in single crochet (US) and pattern stitch B.

**Finishing:** Fasten buttons where indicated. Use eyelets in pattern stitch as buttonholes.

### Abbreviations:

ch = chain

m = magic ring

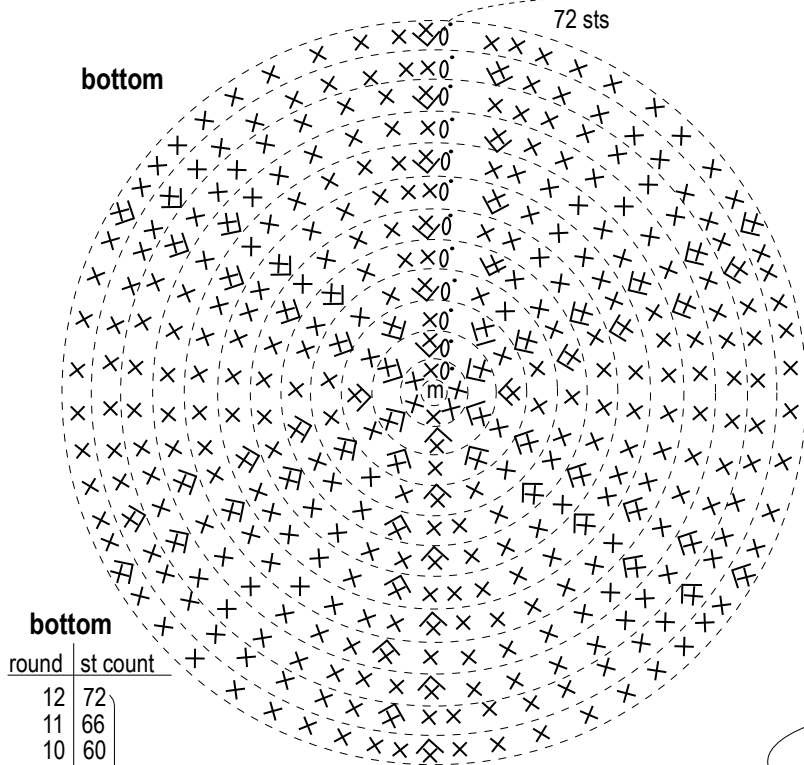
sc = single crochet (US)

### Basket instructions (3.0mm hook)



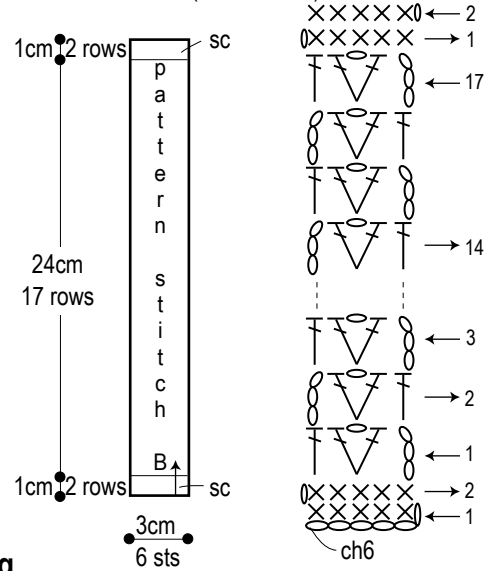
### side

round	stitch count	
17	74 (work even)	} work even
16	74 (-2 sts)	
15	76 (work even)	
14	76 (-2 sts)	
13	78	
12	78	
11	78 pattern st A	
10	78	
9	78 pattern st A	
8	78	
7	78 (+2 sts)	
6	76 (work even)	
5	76 (+2 sts)	
4	74 (work even)	
3	74 (+2 sts)	
2	72	
1	72	

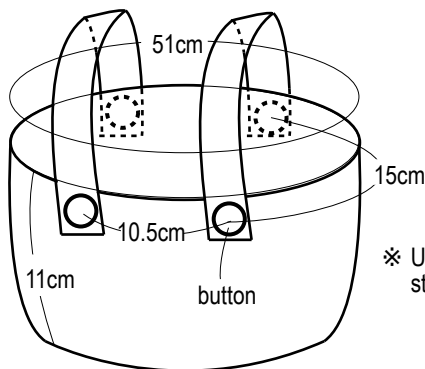


round	st count	
12	72	} +6 sts
11	66	
10	60	
9	54	
8	48	
7	42	
6	36	
5	30	
4	24	
3	18	
2	12	
1	6 (work sc into magic ring)	

### Handles (3.0mm hook)



### Finishing



\* Use eyelets in pattern stitch as buttonholes.