

# 27-556C Platinum Kirakira Cotton Casquette

© Pierrot Yarns (Gosyo Co., Ltd.). Translation by Linda Lanz.



## Materials

- Pierrot Yarns Platinum Kirakira Cotton [49% cotton, 51% acrylic; 85 yds/78m per 1.41 oz./40g skein]; color #68 smoky biscuit; 3 skeins [100g]
- 3.3mm (approx. US 3) knitting needles or size necessary to achieve gauge
- 2.3mm (approx. US B) crochet hook or size necessary to achieve gauge
- 65cm/25.59" length of teknorote cord (0.7mm/0.03" thick) or similar stiff cord, such as nylon monofilament

## Gauge

- pattern stitch: 24.5 sts and 30 rows = 10cm/4" square

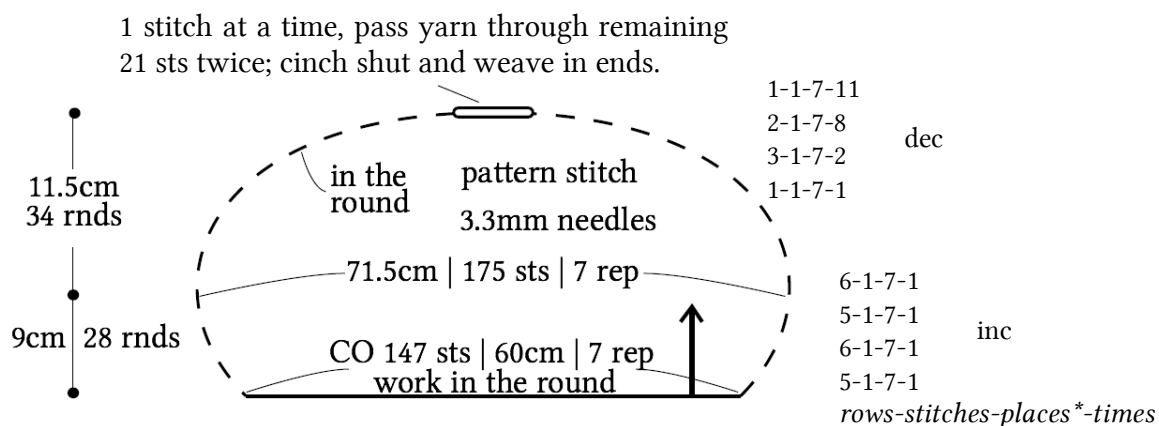
## Finished measurements

- head circumference 56cm/22.05"

## Crochet Tips

Cast on with long-tail cast-on method and join to work in the round. Work in pattern stitch, increasing and decreasing as indicated. On last round, thread yarn through remaining stitches and cinch shut. Work single crochet (US) into cast-on round of hat; crochet belt and bill. Work 1 row of single crochet (US) around edge of bill, working stitches around teknorote cord.

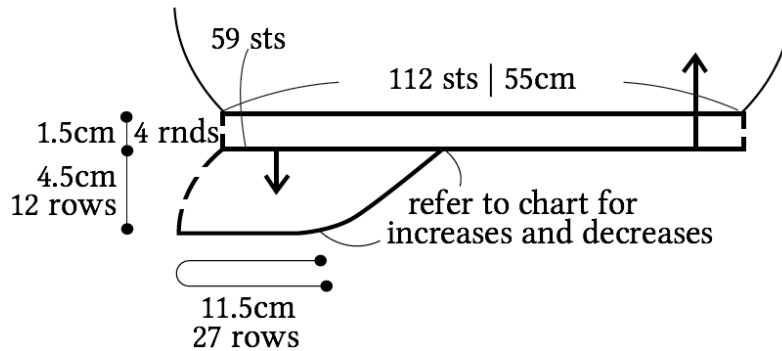
**Abbreviations:** CO = cast on; dec = decrease; inc = increase; RE = row(s) even; rep = repeat(s); rnd(s) = round(s)



\*In the increase and decrease notation, *places* refers to the number of places where a repeat will occur evenly spaced around the hat (for example, 7 = 7 increase locations evenly spaced around the hat).

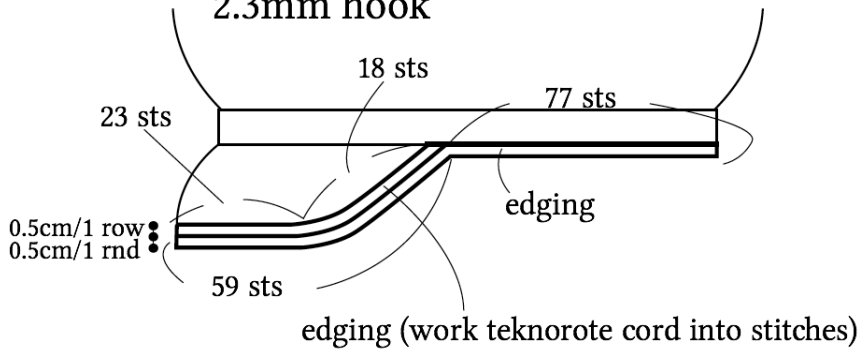
# ●belt, bill

2.3mm hook



# ●edging of bill

2.3mm hook



# ●edging



# ●belt & bill instructions

