

# Aran Vest

© Pierrot Yarns (Gosyo Co., Ltd.). Translation by Linda Lanz.



## Materials

- Keito-Zakka Stores Warm Yarn Merino DK [60% merino wool, 40% other wool; 96 yds/88m per 1.41 oz./40g skein]; color #59 slate gray; 7 skeins [270g]
- 3.6mm (approx. US 4 or 5) and 3.9mm (approx. US 6) straight knitting needles or sizes necessary to achieve gauge
- 3.6mm (approx. US 4 or 5) circular or double-pointed knitting needles or size necessary to achieve gauge
- 3.0mm (approx. US C or D) crochet hook or size necessary to achieve gauge

## Gauge

Gauge is measured in a swatch 10cm/4" square.

- stockinette stitch: 20 sts and 27 rows
- pattern stitch: 24 sts and 27 rows

## Finished measurements

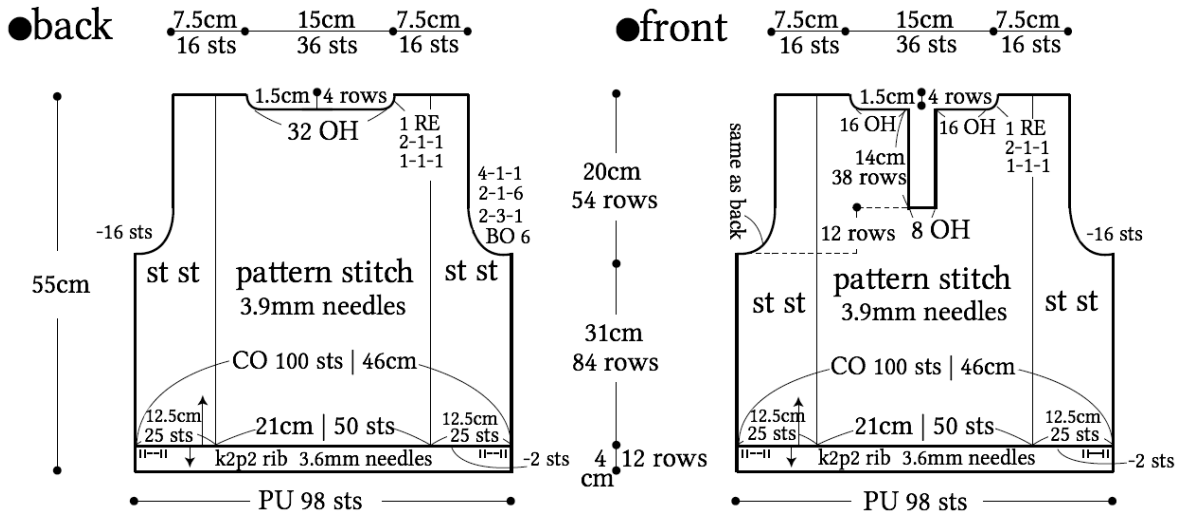
- bust 92cm/36.22"
- cross back width 36cm/14.17"
- length 55cm/21.65"

## Knitting Tips

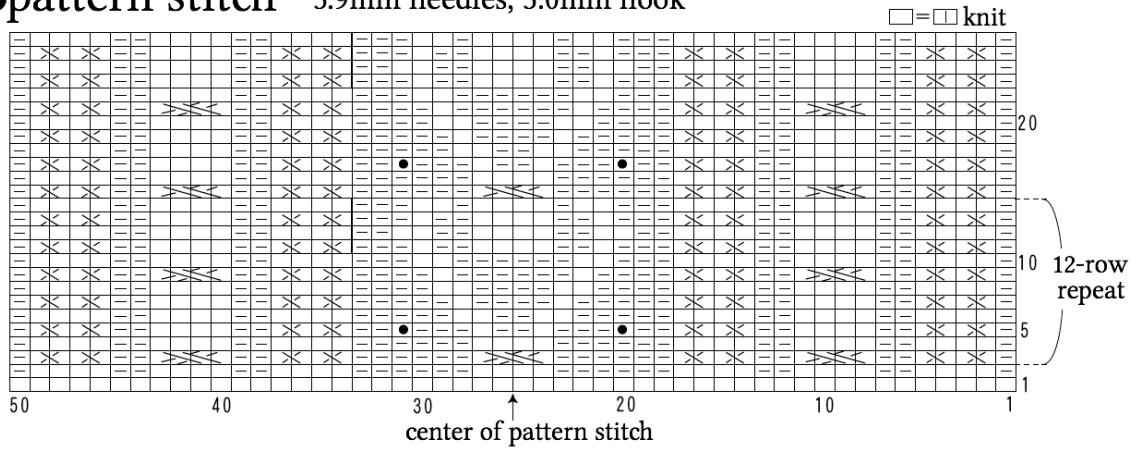
**Body:** Cast on with crochet provisional cast-on method and work in pattern stitch and stockinette stitch. For front, work left and right sides separately after splitting for neck. Pick up stitches from provisional cast-on at hem and work in k2p2 ribbing. Work last row in k1p1 ribbing, then bind off with 1x1 tubular bind-off method.

**Finishing:** Join shoulders with three-needle bind-off. Join sides with mattress stitch. Pick up stitches along neckline and front plackets and work k2p2 ribbing. Seam end of upper front placket to stitches on hold at center of neckline using stitches-to-rows mattress stitch. Blindstitch end of lower front placket to back of upper front placket. Pick up stitches around each armscye and work edging in k2p2 ribbing. Work last row/round of collar, placket edging, and armscye edging in k1p1 ribbing, then bind off with 1x1 tubular bind-off method.

**Abbreviations:** BO = bind off; CO = cast on; DPNs = double-pointed needles; OH = on hold (i.e., place on stitch holder); PU = pick up; RE = row(s) even; st st = stockinette stitch



**pattern stitch** 3.9mm needles, 3.0mm hook



● = cluster: ch3, 2dc (3.0mm hook)

**edging**

k2p2 ribbing  
3.6mm needles  
※ Use 3.6mm DPNs for armscyes.

