

amikomo3-25 Casserole Cover and Potholder

© Pierrot Yarns (Gosyo Co., Ltd.). Translation by Linda Lanz.



Materials

- Pierrot Yarns Zakka Wool [100% wool; 75 yds/69m per 1.41 oz./40g skein];
 - casserole cover:
 - color #1 ivory; 4 skeins [150g]
 - color #10 loam brown; 1 skein [20g]
 - potholders:
 - color #1 ivory; 2 skeins [55g]
 - color #10 loam brown; 1 skein [18g]
- casserole cover: piece of felt, cut into a circle with a 19cm/7.48" diameter
- casserole cover: 2 lengths of cord (3mm/0.12" wide), each 170cm/66.93" long
- 5.0mm (US H) crochet hook or size necessary to achieve gauge
- darning needle and sewing needle



Gauge

- single crochet (US): 14 sts and 15 rows = 10cm/4" square

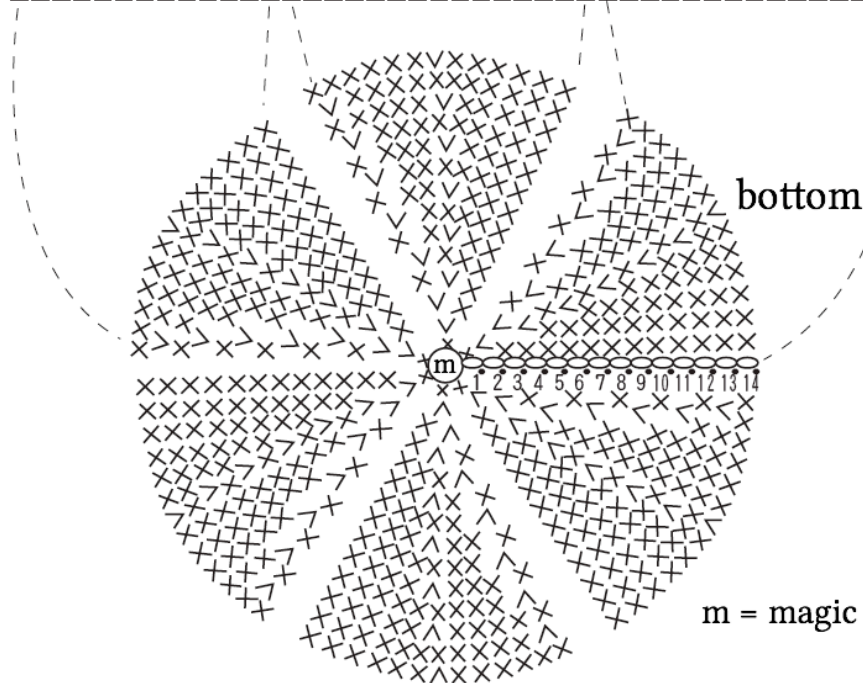
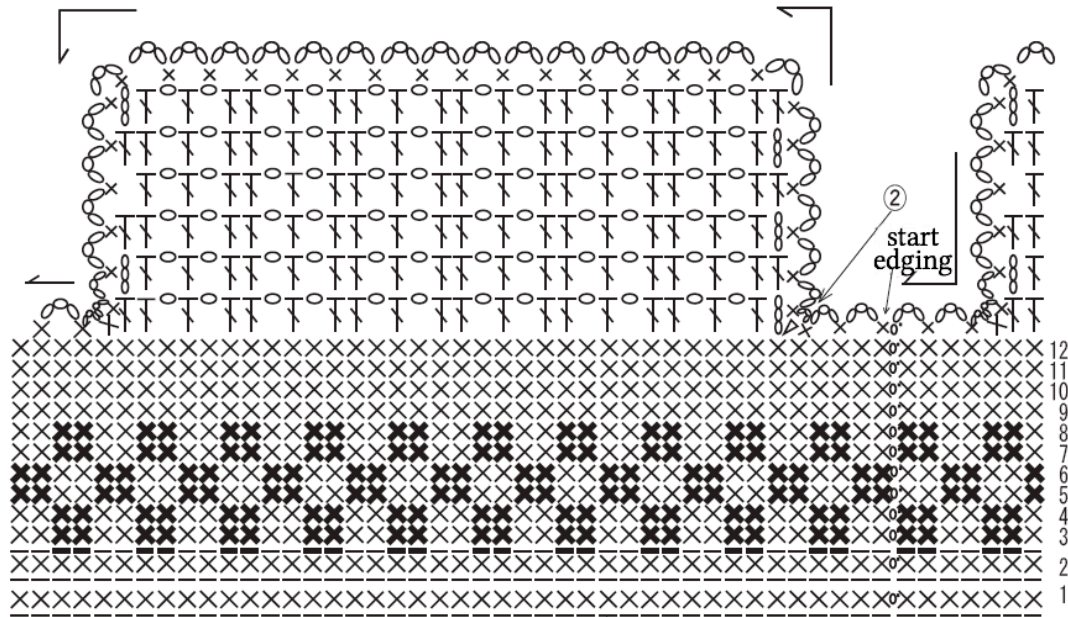
Finished measurements

- casserole cover:
 - bottom circumference 20cm/7.87"
 - height 10cm/3.94"
- potholders:
 - width 13cm/5.12"
 - length 10cm/3.94"

Crochet Tips

Casserole cover: Create magic loop; chain to form turning post. Crochet bottom in single crochet (US). Continue on to sides, working around edge of bottom. (6 rows form pattern stitch A.) Continuing on from side, work flap in pattern stitch B from position marked ②. Begin edging from position marked ③. Thread cords through flaps. Reinforce bottom by sewing felt circle securely to inside bottom of cover.

Potholders (make 2): Chain 5 stitches and work 4 rounds in single crochet (US), increasing as indicated. Crochet rounds 5-6 in single crochet without increasing or decreasing. Crochet colorwork pattern stitch for rounds 7-12. Round 14 is the edging. With white yarn, ch15 to form loop; attach to potholder.



m = magic ring

× ... #10 loam brown

Increase by 6 sts each round:

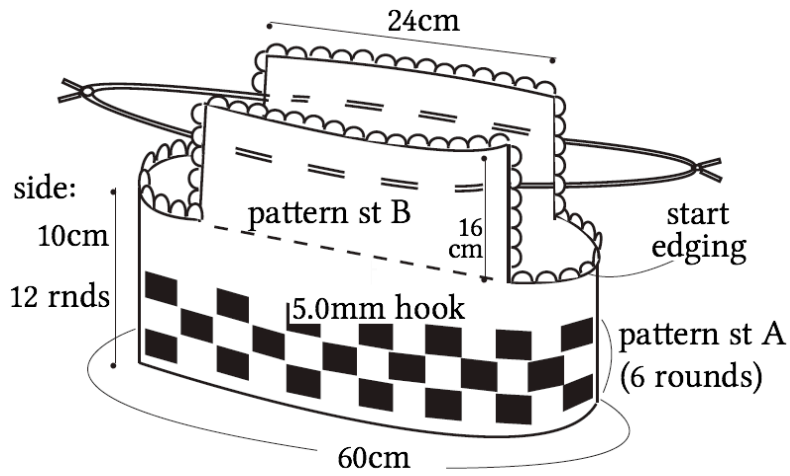
round	# of sts	round	# of sts
1	6	8	48
2	12	9	54
3	18	10	60
4	24	11	66
5	30	12	72
6	36	13	78
7	42	14	84

Colorwork pattern

- When crocheting with ivory yarn, carry loam brown yarn along, working ivory stitches around it.
- When crocheting with loam brown yarn, carry ivory yarn along, working loam brown stitches around it.

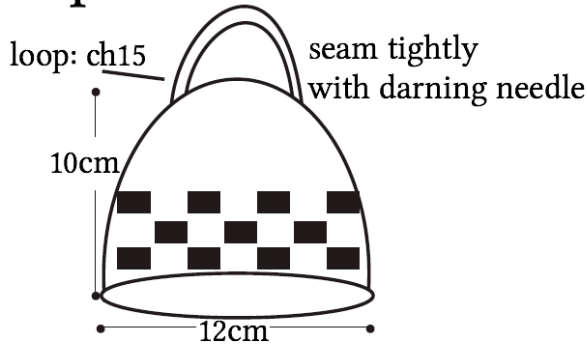
●cover

※Use 2 strands throughout.



①Start with magic ring.

●potholder



round	# of sts
1	16
2	22 (+6 sts)
3	28 (+6 sts)
4	32 (+4 sts)
5-13	32 (work even)

