

27-28-260BK Cashmere Baby Cardigan

© Pierrot Yarns (Gosyo Co., Ltd.). Translation by Linda Lanz.



Materials

- Pierrot Yarns New Cashmere 100 [100% cashmere; 71 yds/65m per 0.71 oz./20g skein]; color #503; 7 skeins [140g]
- 5.1mm (approx. US 8) and 5.7mm (approx. US 9) knitting needles or sizes necessary to achieve gauge
- 4 buttons (15mm / approx. 5/8" diameter)

Gauge

Gauge is measured in a swatch 10cm/4" square.

- stockinette stitch and pattern stitch: 14.5 sts and 20 rows



Finished measurements

- chest 58.5cm/23.03"
- cross back width 22cm/8.66"
- length 30cm/11.81"
- sleeve length 21cm/8.27"

Knitting Tips

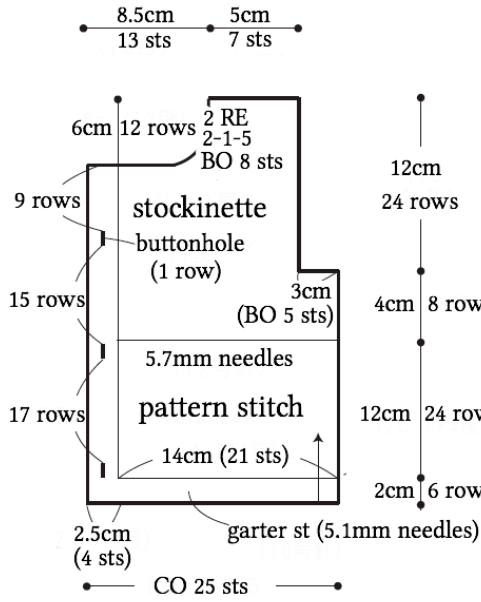
Body: Cast on using long-tail cast-on method. Knit in garter stitch, pattern stitch, and stockinette stitch according to schematics. With right sides facing, join shoulders with three-needle bind-off. Pick up stitches for collar and buttonband and knit in garter stitch, working buttonholes in right buttonband.

Sleeves: Cast on as for body and knit in garter stitch, pattern stitch, and stockinette stitch. Bind off in pattern. Work sleeve increases as fully fashioned make-one increases one stitch in from the edge. Join top seam of sleeve to body with slip stitch. Join underarm area to body with stitches-to-rows mattress stitch, and join sides and sleeve undersides with mattress stitch.

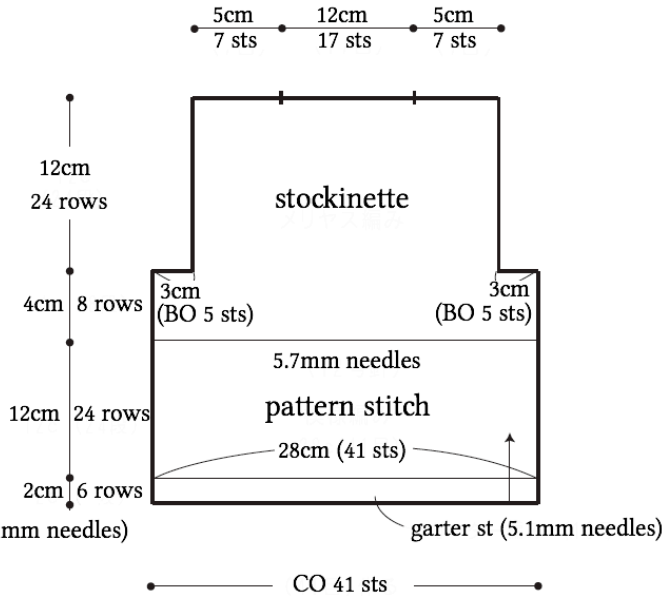
❖**Note:** entire garment is knit with two strands of yarn held together.

Abbreviations: CO = cast on; BO = bind off; RE = row(s) even; PU = pick up

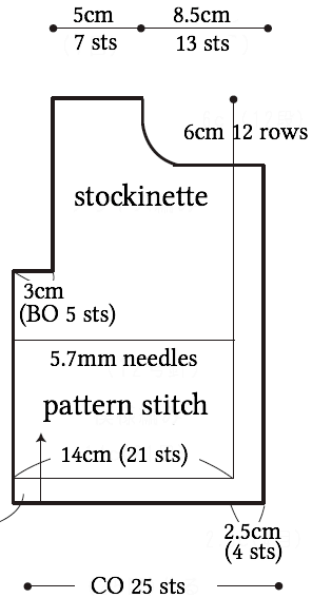
●left front



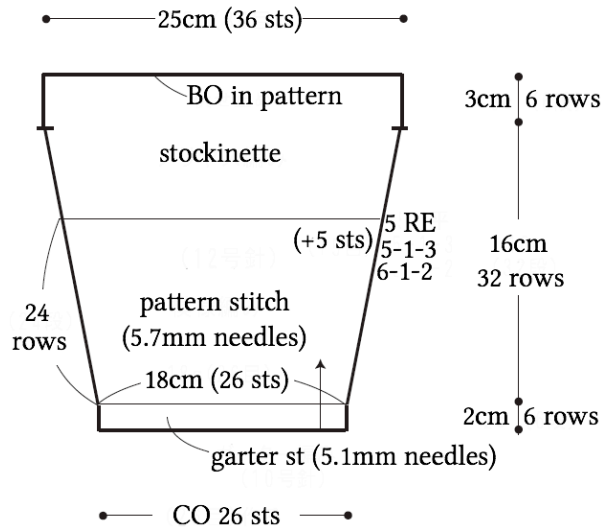
●back



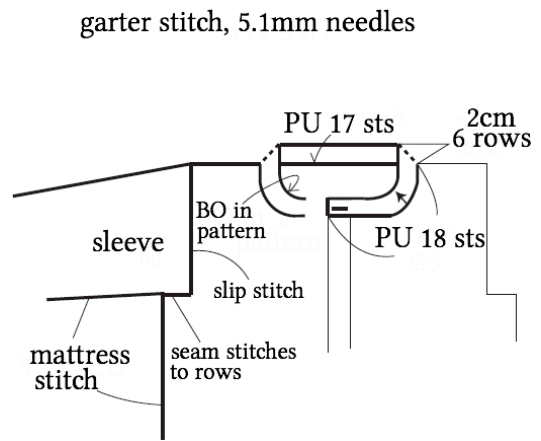
●right front

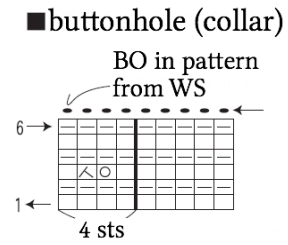
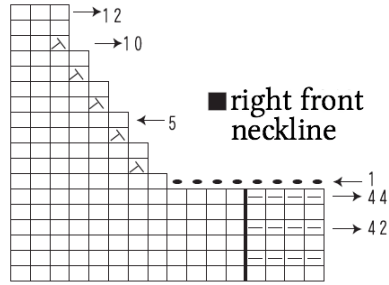


●sleeve

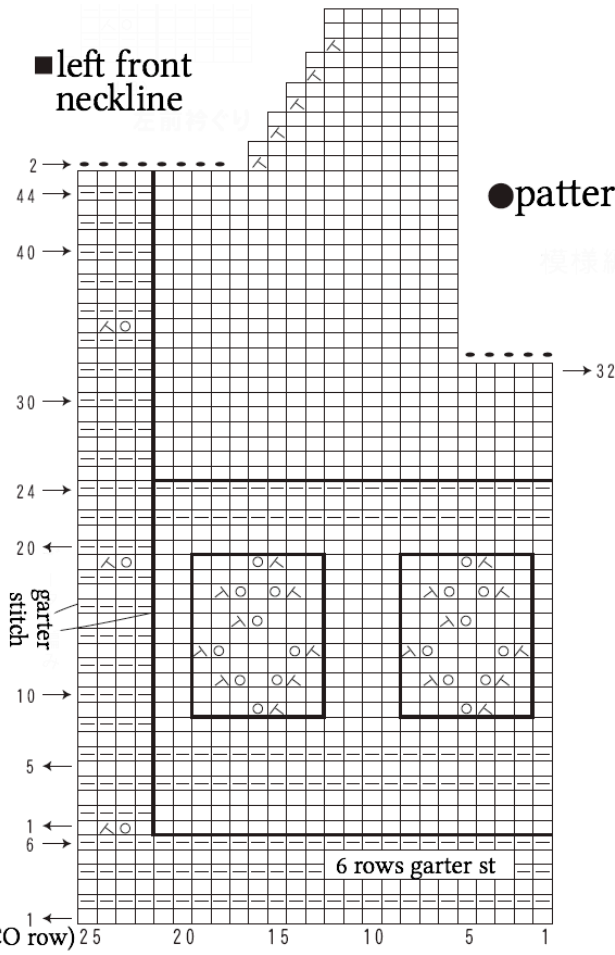


●collar





left front neckline



(CO row)

□ = □ knit stitch

※reverse shaping for right front