

29-210-44 Striped Bag

© Pierrot Yarns (Gosyo Co., Ltd.). Translation by Linda Lanz.



Materials

- Pierrot Yarns Dot Wool [100% wool; 558 yds/ 510m per 3.53 oz./ 100g cone];
 - color #12 dark khaki; 2 cones [130g]
 - color #5 deep rose pink; 1 cone [45g]
 - color #6 amethyst; 1 cone [45g]
 - color #7 violet; 1 cone [40g]
- 4.0mm (US G) crochet hook or size necessary to achieve gauge
- 1 pair bamboo purse handles, approx. 13cm/5.1" in diameter
- 1 piece of gingham fabric for lining, 63cm/24.8" square
- tapestry needle

Gauge

- pattern stitch: 20 sts and 10 rows = 10cm/4" square

Finished measurements

- width approximately 42cm/16.5"
- depth approximately 31cm/12.2"

Crochet Tips

❖ **Note:** entire bag is worked with two strands of yarn held together.

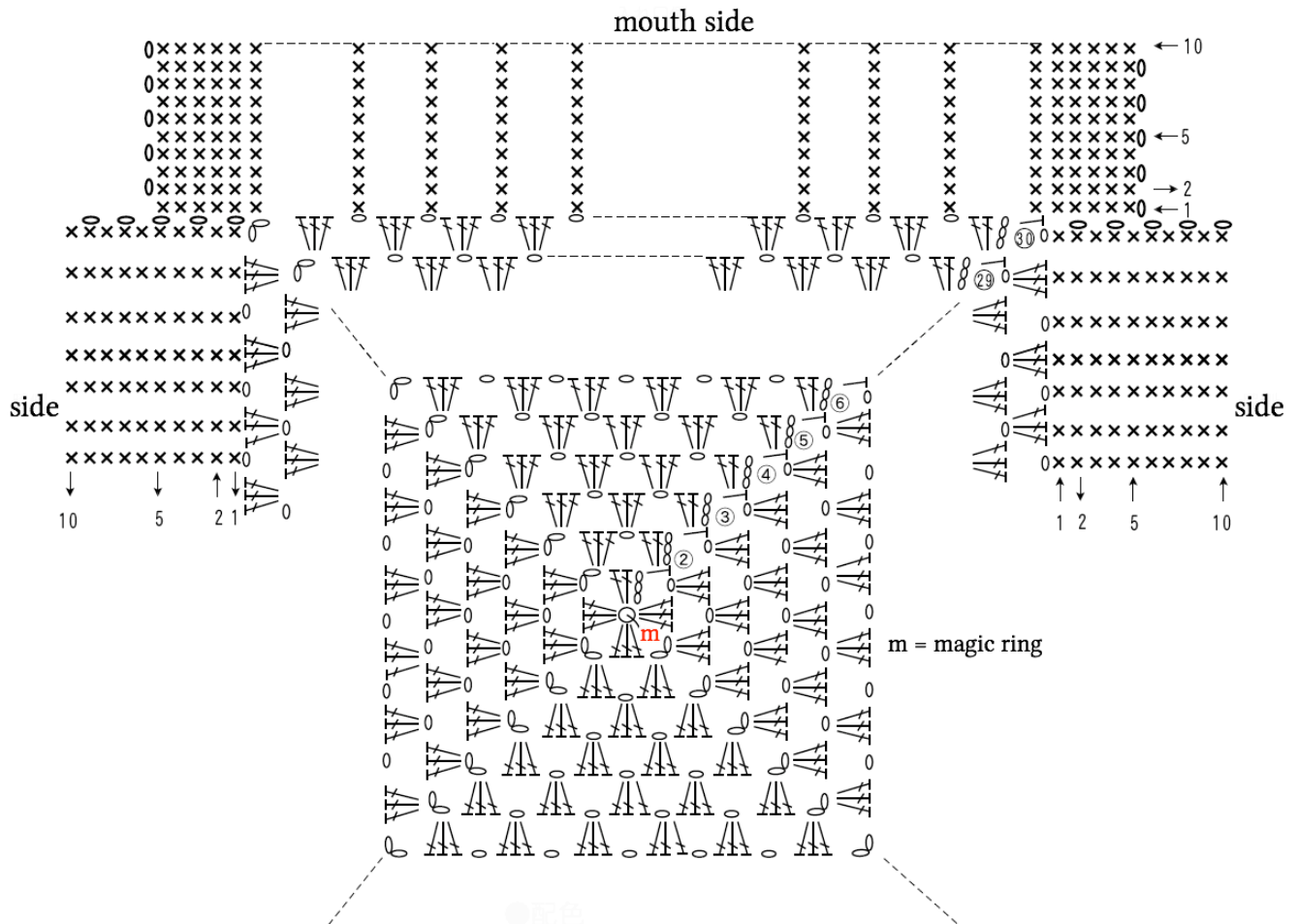
Body of bag: Create magic ring and ch3 to form turning post. Work in a square according to chart for 30 rounds, increasing where indicated and changing color every two rounds.

Sides (2): Work 10 rows of single crochet (US) 61 stitches wide along side of body, then fold in half toward inside of bag. On wrong side, sew stitches of last row to stitches of first row with whipstitch.

Mouth (2): Work 10 rows of single crochet (US) 41 stitches wide along mouth side (see diagram), then fold around purse handle. On wrong side, sew stitches of last row to stitches of first row with whipstitch.

Lining: Fold fabric edges with 1.5cm/0.6" seam allowance, then insert into bag, gathering as needed. Sew lining to inside of bag.

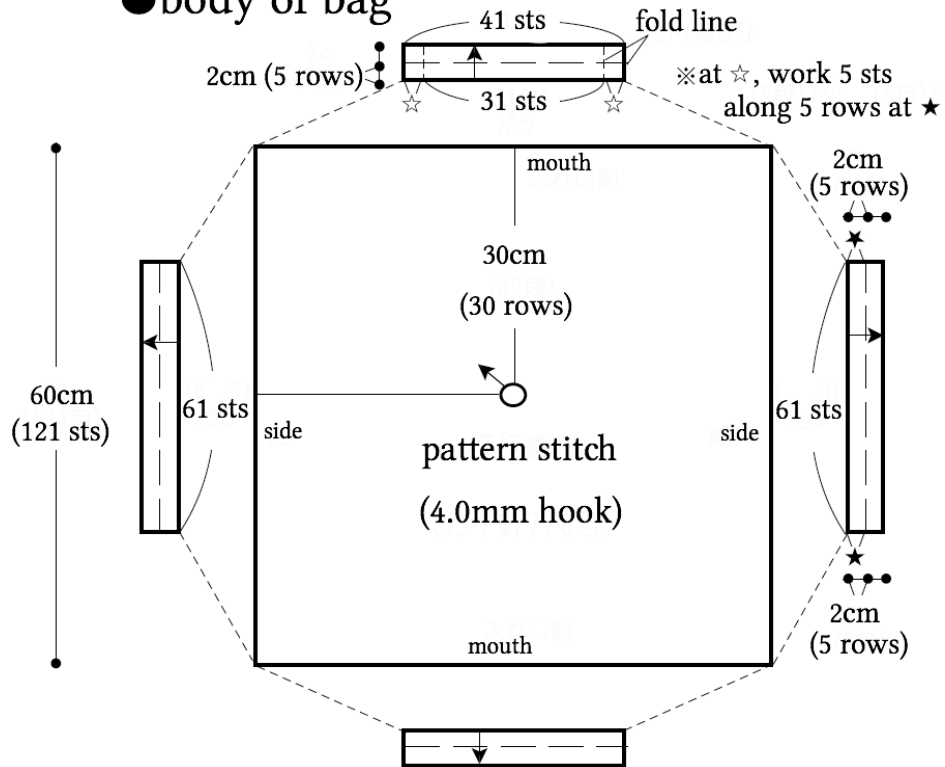
● bag (4.0mm hook)



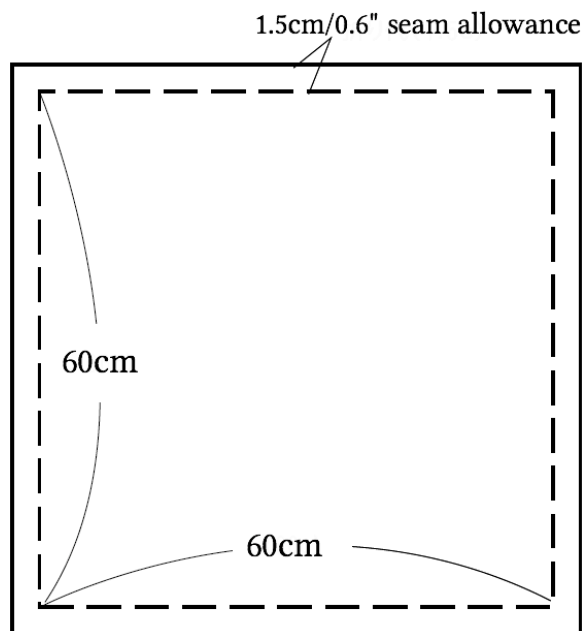
color sequence	
rnds 1-2	color #12 dark khaki
rnds 3-4	color #5 deep rose pink
rnds 5-6	color #12 dark khaki
rnds 7-8	color #7 violet
rnds 9-10	color #12 dark khaki
rnds 11-12	color #6 amethyst

Repeat these 12 rows.

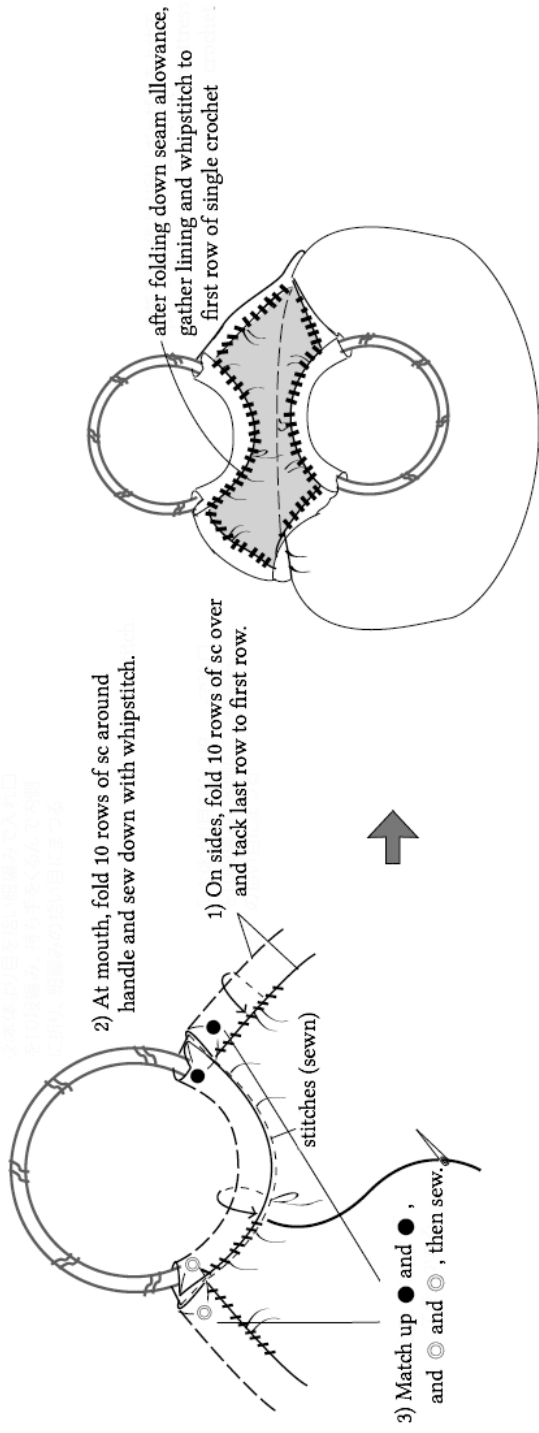
● body of bag



● lining



●finishing



●completed bag

